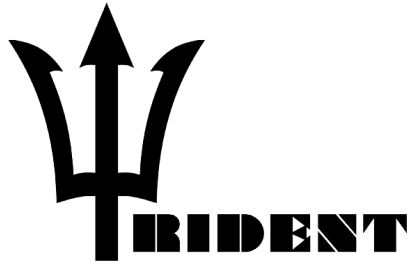




FETP - MARINE LINEAR FIXTURE	1
FEK600 - MARINE DOWNLIGHT	6
LRD - MARINE LINEAR RECESSED DAMPA	11
IR6 - MARINE LOW PROFILE LIGHT	16
BL - MARINE BUNK LIGHT	20
ML - MARINE MIRROR LIGHT	24
HAL - HAZARDOUS LINEAR FIXTURE	28
HAF - HAZARDOUS FLOOD LIGHT	33



FETP SERIES
UL 1598A "MARINE TYPE"
LED LINEAR FIXTURE



FETP -	122-	N -	S -	BB
1 -	2 -	3 -	4 -	5

1) SERIES

FETP - *THIS SERIES REPLACES THE FORMER LLSV SERIES (LLSV4, LLSV2)*

2) LENGTH

122 - 2' NOMINAL LENGTH

121 - 4' NOMINAL LENGTH

3) LAMPS

1- 1 LED LAMP W/ INTERNAL DRIVER

2 - 2 LED LAMPS W/ INTERNAL DRIVER

3 - 3 LED LAMPS W/ INTERNAL DRIVER

N - LED STRIP W/ DRIVER IN FIXTURE HOUSING

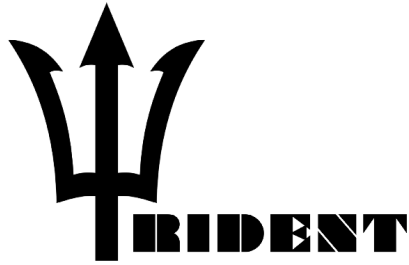
4) OPTIONS

S - STANDARD

TW - THROUGH WIRE

5) BATTERY BACKUP

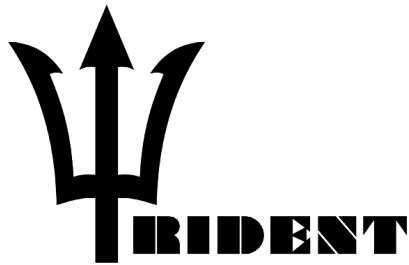
BB - 2-HOUR BATTERY BACKUP



FETP SERIES
 UL 1598A “MARINE TYPE”
 LED LINEAR FIXTURE

SPECIFICATIONS

CONSTRUCTION	CORROSION-RESISTANT, IMPACT-RESISTANT, UV-STABILIZED NYLON HOUSING THERMOSET HIGH REFLECTANCE, WHITE POLYESTER POWDER COATED REFLECTOR
HARDWARE	STAINLESS STEEL 316 FOR ADDED DURABILITY
LAMP HOLDERS	VIBRATION-RESISTANT, SPRING-LOADED LAMP HOLDERS
LENS	HIGH-IMPACT POLYCARBONATE LENS WITH PRISMATIC FINISH
LIGHT SOURCE	15 WATT LED T8 RETROFIT TUBES (1-3) LED STRIP COMES WITH INTERNAL UNIVERSAL DRIVER
POWER SOURCE	120V - 277VAC, 50 HZ/60 HZ
WIRING	3/4 INCH NPT THREADED CONDUIT OPENINGS ON BOTH ENDS
MOUNTING	STAINLESS STEEL MOUNTING FEET
WEIGHT	2 FOOT (PACKAGED) - 8.7 LB (3.9 KG) 4 FOOT (PACKAGED) - 13.4 LB (6.1 KG)
WARRANTY	5 YEAR WARRANTY



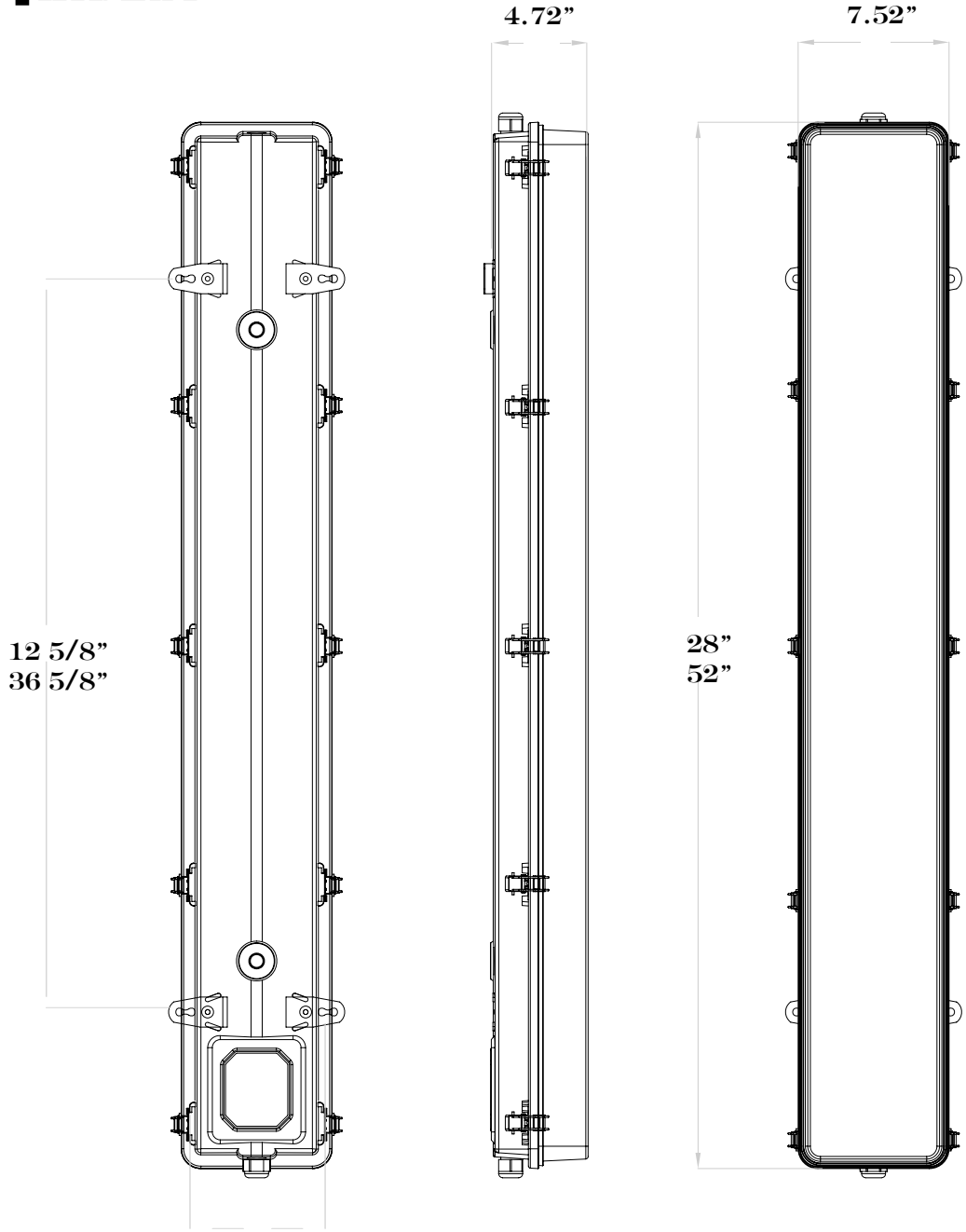
FETP SERIES
 UL 1598A “MARINE TYPE”
 LED LINEAR FIXTURE

TECHNICAL DATA

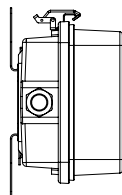
ITEMS	STANDARD INFORMATION	UNITS
COLOR TEMPERATURE	5000	KELVIN
VOLTAGE RANGE	AC120-277	VOLTS
WORKING FREQUENCY	50/60	HZ
SYSTEM POWER	4 FOOT FIXTURE: 54	WATTS
	2 FOOT FIXTURE: 27	
LUMINOSITY	4 FOOT FIXTURE: 5940	LUMENS
	2 FOOT FIXTURE: 2970	
COLOR RENDERING INDEX	>90	CRI
POWER FACTOR	>.9	PF
IP RATING	66	IP
BEAM ANGLE	120	DEGREES
APPROVED OPERATING TEMPERATURE	-30 TO 55	DEGREES C
LED QUANTITY	4 LED STRIPS	LED
DIMENSIONS	4 FOOT FIXTURE: 52X7.5X4.7	INCHES
	2 FOOT FIXTURE: 28X7.5X4.7	INCHES
NET WEIGHT	4 FOOT FIXTURE: 9.9	LBS
	2 FOOT FIXTURE: 5.5	
LIFE SPAN	50000	HOURS
WARRANTY	5	YEARS
APPROVALS	UL 1598A - MARINE TYPE, ABS	



FETP SERIES
UL 1598A "MARINE TYPE"
LED LINEAR FIXTURE



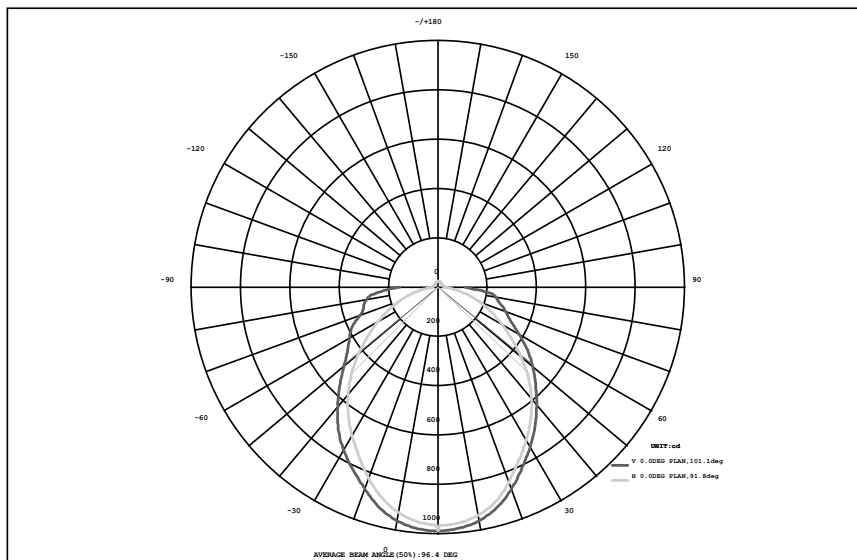
INNER HOLE:
 $6 \frac{7}{8}$ "
OUTER HOLE:
 $7 \frac{7}{8}$ "





FETP SERIES
UL 1598A "MARINE TYPE"
LED LINEAR FIXTURE

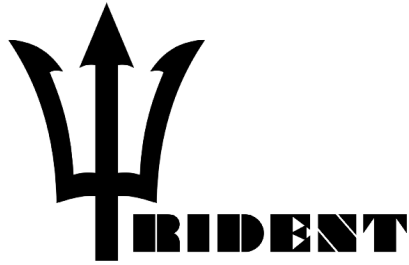
PHOTOMETRIC REPORTS



FEK600 SERIES

UL 1598A

“MARINE TYPE” LED DOWN LIGHT



FEK600	-	CLR	120-277	-	N-	C	BB	
1	-	2	-	3	-	4-	5	6

1) SERIES

FEK600- *THIS SERIES REPLACES THE FORMER DLR SERIES (DLR-N, DLR-9)*

2) LENS

CLR- CLEAR LENS

RED- RED LENS

3) VOLTAGE

12- 24 VDC

120-277VAC

4) LAM

N- LED LIGHTING STRIP W/ DRIVER IN FIXTURE HOUSING

5) TRIM

C - CHROME

6) OPTIONS

BB - 3-HOUR BATTERY BACKUP

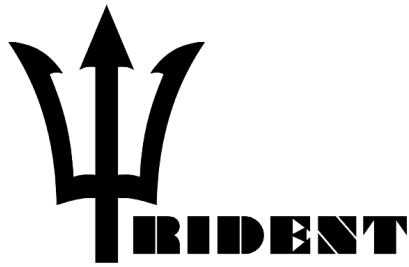
A - ANGLE

DIM - DIMMING

FEK600 SERIES

UL 1598A

“MARINE TYPE” LED DOWN LIGHT



SPECIFICATIONS

CONSTRUCTION	CORROSION-RESISTANT, ZINC PLATED STEEL BODY AND TRIM, WHITE POLYESTER POWDER COAT
TRIM	WHITE POLYESTER POWDER COAT CHROME TRIM (OPTIONAL)
HARDWARE	STAINLESS STEEL 316 FOR EXTRA DURABILITY
LENS	ACRYLIC DIFFUSER. RED AND CLEAR OPTIONS AVAILABLE.
LIGHT SOURCE	ACCEPTS LED CFL RETROFIT LAMPS • 9 WATT LED STRIP LIGHT COMES WITH DIMMABLE INTERNAL DRIVER
POWER SOURCE	120V-277V, 50 HZ, 60 HZ 3 POLE TERMINAL BLOCK
WIRING	½" AND ¾" NPT KNOCKOUTS
MOUNTING	DESIGNED TO BE MOUNTED IN RECESSED CEILING
WARRANTY	5 YEAR WARRANTY

FEK600 SERIES

UL 1598A

“MARINE TYPE” LED DOWN LIGHT



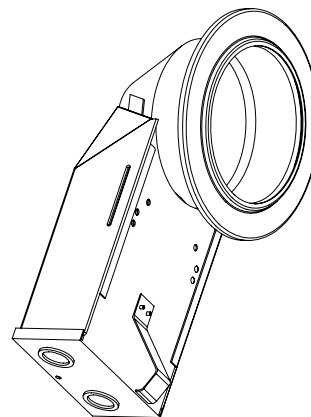
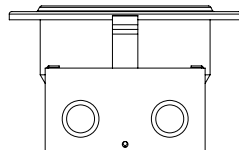
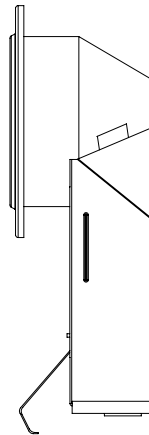
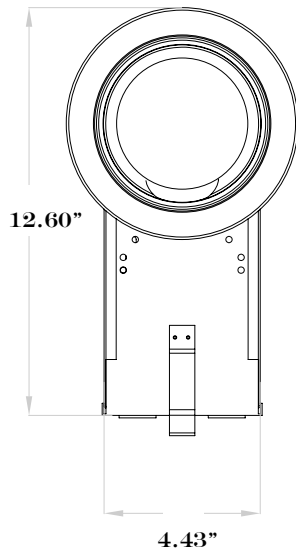
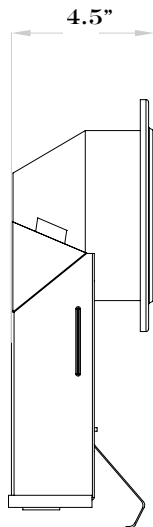
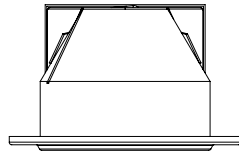
TECHNICAL DATA

ITEMS	STANDARD INFORMATION	UNITS
COLOR TEMPERATURE	3000 - 4000 - 5000	KELVIN
VOLTAGE RANGE	AC120-277	VOLTS
FREQUENCY	50/60	HZ
SYSTEM POWER	7W, 9W, OR 12W	WATTS
LUMINOSITY	700, 900 OR 1320	LUMENS
CRI	>90	CRI
POWER FACTOR	>.9	PF
IP RATING	20	IP SCALE
BEAM ANGLE	120	DEGREES
APPROVED OPERATING TEMPERATURE	INTERIOR TYPE	DEGREES C
DIMENSIONS	4.43X12.6X4.5	INCHES
CEILING HOLE SIZE	5.91	INCHES
LIFE SPAN	50000	HOURS
WARRANTY	5	YEARS
APPROVALS	UL1598A - MARINE TYPE, ABS	



FEK600 SERIES

UL 1598A
"MARINE TYPE" LED DOWN LIGHT



MEASUREMENTS IN INCHES

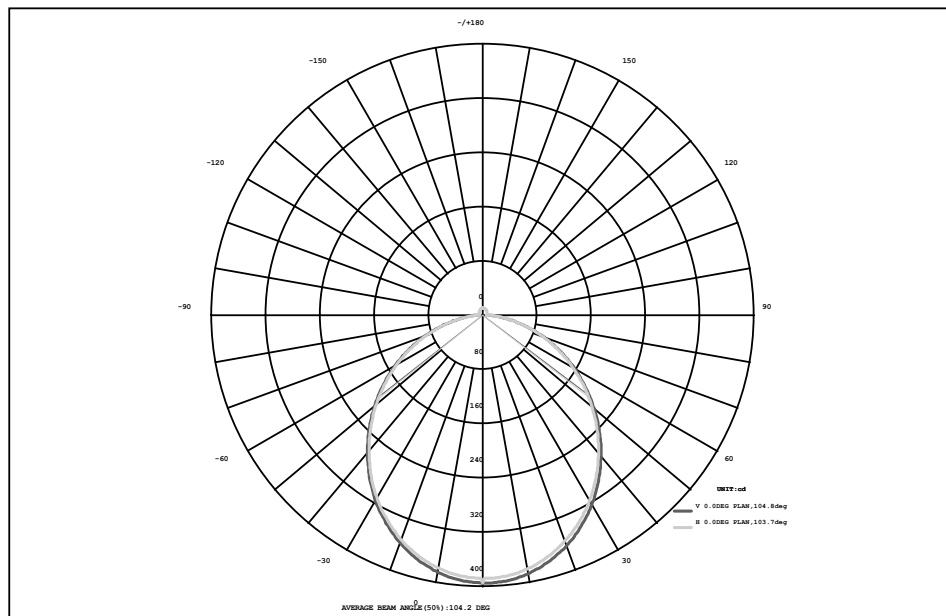
FEK600 SERIES

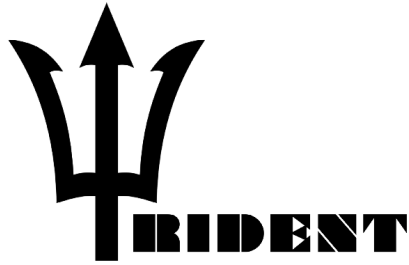
UL 1598A

"MARINE TYPE" LED DOWN LIGHT

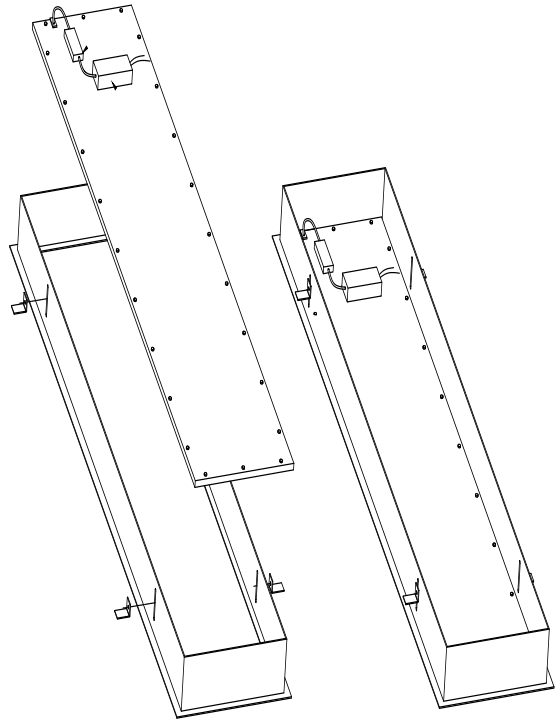


PHOTOMETRIC REPORTS





LRD SERIES
 UL 1598A "MARINE TYPE"
 LINEAR RECESSED
 DAMPA FIXTURE



1	2	3	4
LRD	4	RED/BB	4

1) SERIES

LRD- *THIS SERIES REPLACES THE FORMER LRD SERIES (LRD4, LRD2)*

2) NOMINAL LENGTH

2 - 2 FOOT

4- 4 FOOT

3) OPTIONS

RED- RED LED MODE

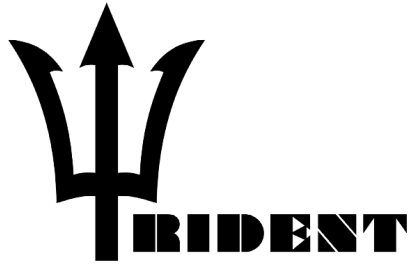
BB- 2-HOUR BATTERY BACKUP

DC - 12-24 VDC

4) COLOR

4- 4000K

LRD SERIES
 UL 1598A "MARINE TYPE"
 LINEAR RECESSED
 DAMPA FIXTURE



SPECIFICATIONS

CONSTRUCTION	CORROSION-RESISTANT, ALUMINUM BODY AND FROSTED LENS
TRIM	WHITE POLYESTER POWDER COAT
HARDWARE	STAINLESS STEEL 316 FOR EXTRA DURABILITY , ADJUSTABLE MOUNTING CLIPS.
LENS	PRISMATIC DIFFUSER.
LIGHT SOURCE	3000K-5000K LED AND DRIVER WITH OPTIONAL RED LED MODE.
POWER SOURCE	120V-277V, 50 HZ, 60 HZ 3 POLE TERMINAL BLOCK
WIRING	½" AND ¾" NPT KNOCKOUTS
MOUNTING	ADJUSTABLE MOUNTING EARS ALLOW RECESSED MOUNTING AND FIXTURE SHALL BE SECURED DIRECTLY TO CIELING
WARRANTY	5 YEAR WARRANTY

LRD SERIES

UL 1598A "MARINE TYPE"
 LINEAR RECESSED
 DAMPA FIXTURE



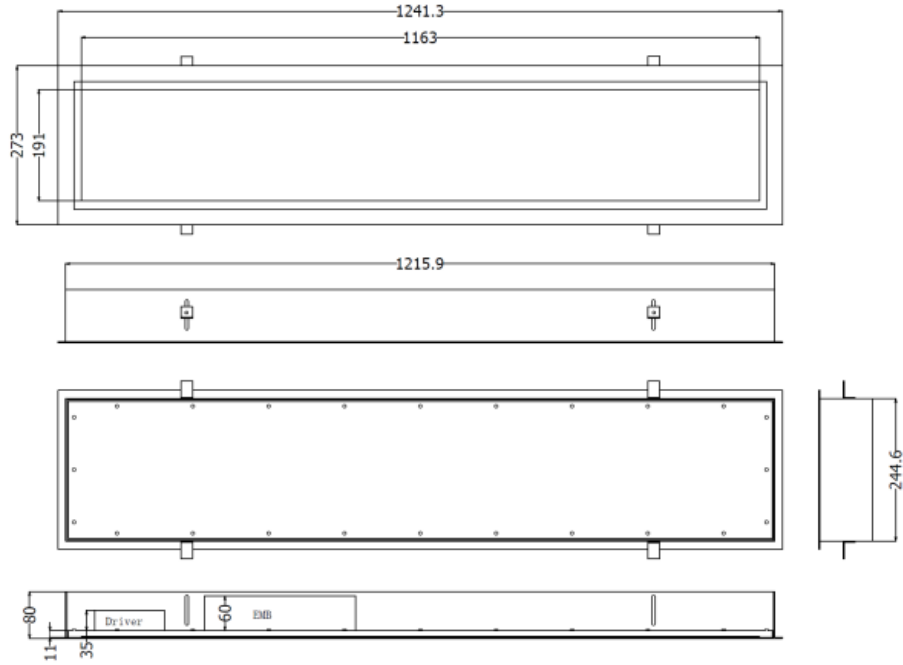
TECHNICAL DATA

ITEMS	STANDARD INFORMATION	UNITS
COLOR TEMPERATURE	4000	KELVIN
VOLTAGE RANGE	AC120-277	VOLTS
FREQUENCY	50/60	HZ
SYSTEM POWER	37 WATTS / 20 WATTS	WATTS
LUMINOSITY	4 FOOTER - 4000	LUMENS
	2 FOOTER - 2000	
POWER FACTOR	>.9	PF
IP RATING	IP54	IP SCALE
VIEWING ANGLE	120	DEGREES
APPROVED OPERATING TEMPERATURE	-20 THROUGH 45	DEGREES C
DIMENSIONS	4 FOOTER - 273 X 1241 X 80	MM
	2 FOOTER - 273 X 620 X 80	MM
LIFE SPAN WARRANTY	50000	HOURS
	5	YEARS
APPROVALS		
	UL1598A - MARINE TYPE ABS	

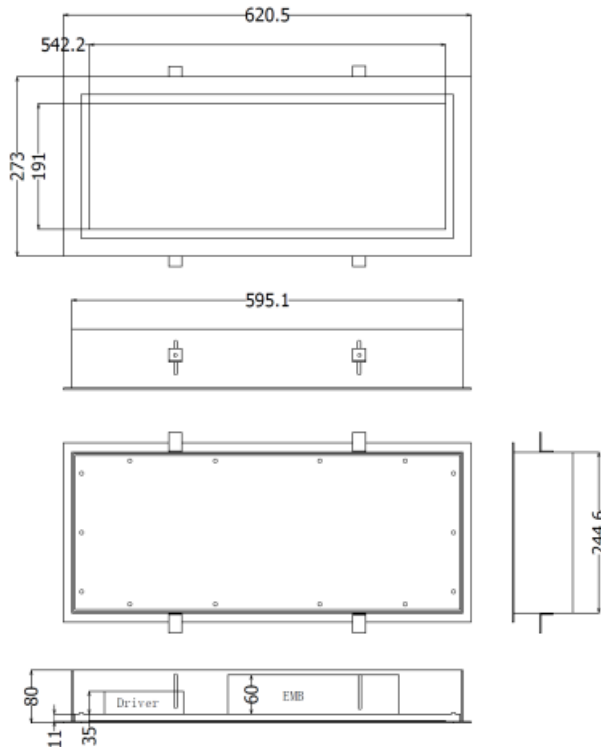
LRD SERIES

UL 1598A "MARINE TYPE"
LINEAR RECESSED
DAMPA FIXTURE

4 FOOTER

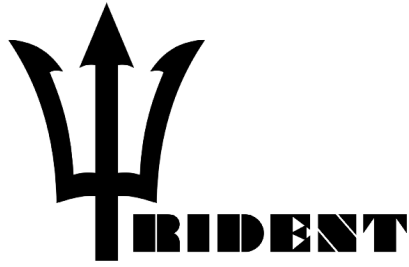


2 FOOTER

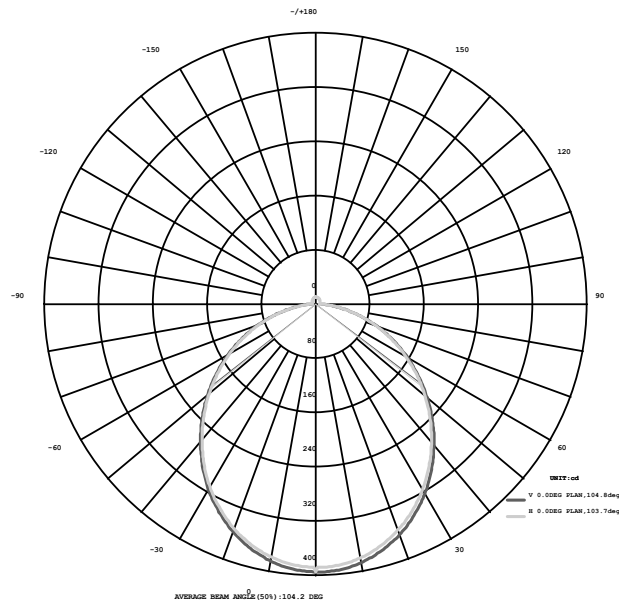
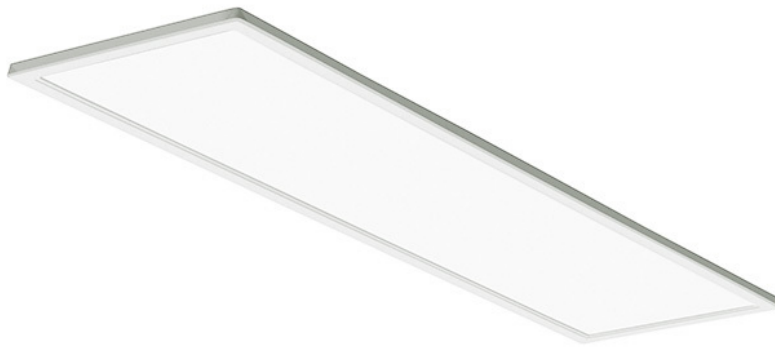


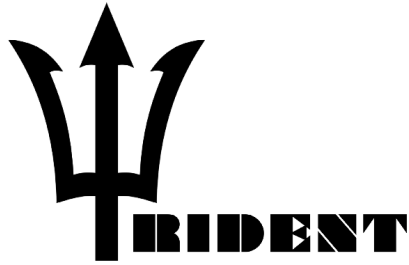
MEASUREMENTS IN MM

LRD SERIES
UL 1598A "MARINE TYPE"
LINEAR RECESSED
DAMPA FIXTURE



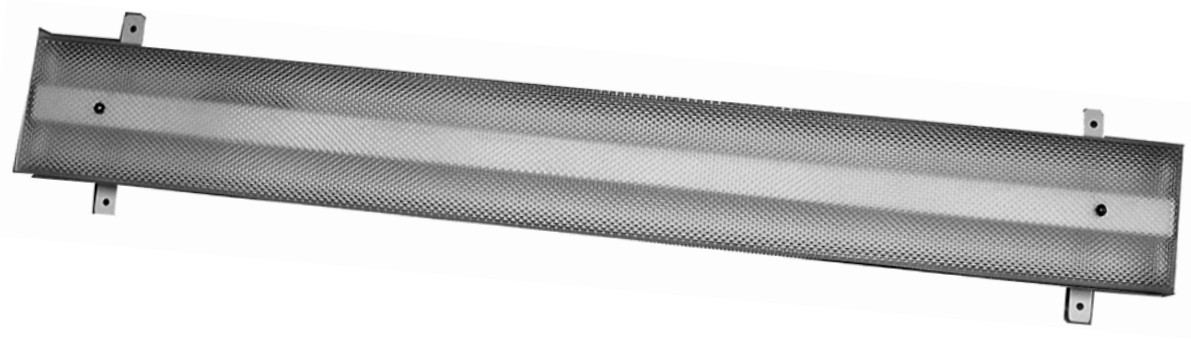
PHOTOMETRIC REPORTS





IR6 SERIES

UL 1598A | DRIP PROOF
 “MARINE TYPE” LOW
 PROFILE LIGHT



IR6	-	N-	P-	4
1-		2-	3-	4

1) SERIES

IR6-

2) LIGHTING SYSTEM

L - LED RETROFIT LAMPS (2 LAMPS)

N- LED STRIP W/ DRIVER IN FIXTURE HOUSING

3) LENS

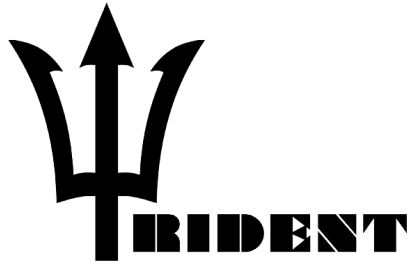
P- PRISMATIC

R- RED PRISMATIC

4) NOMINAL LENGTH

2 - 24 - 3/4”

4 - 48 - 3/4”



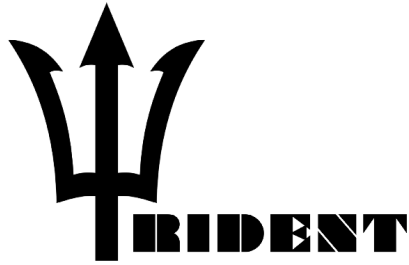
IR6 SERIES

UL 1598A | DRIP PROOF
 “MARINE TYPE” LOW
 PROFILE LIGHT



SPECIFICATIONS

CONSTRUCTION	CORROSION-RESISTANT, POWDER COATED STEEL BODY AND PRISMATIC LENS
FINISH	WHITE POLYESTER POWDER COAT
HARDWARE	STAINLESS STEEL 316 FOR EXTRA DURABILITY
LENS	PRISMATIC DIFFUSER. RED AND CLEAR OPTIONS AVAILABLE.
LIGHT SOURCE	LED RETROFIT LAMPS (2 LAMPS) LED STRIP LIGHT COMES WITH UNIVERSAL INTERNAL DRIVER
POWER SOURCE	120V-277V, 50 HZ, 60 HZ 3 POLE TERMINAL BLOCK
WIRING	½” AND ¾” NPT KNOCKOUTS
MOUNTING	SURFACE MOUNTED WITH STAINLESS STEEL FOOTING DESIGNED FOR LOW PROFILE APPLICATIONS
WARRANTY	5 YEAR WARRANTY



IR6 SERIES

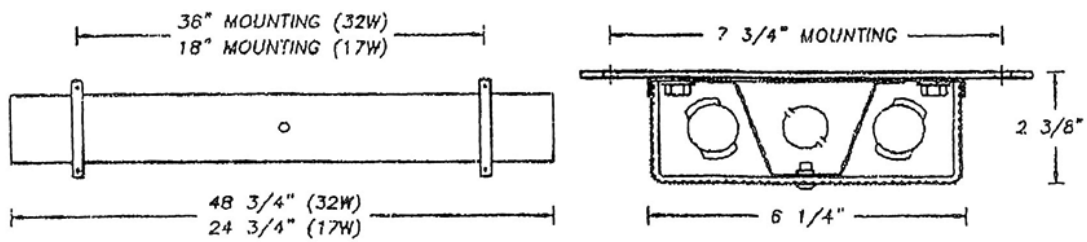
UL 1598A | DRIP PROOF
 “MARINE TYPE” LOW
 PROFILE LIGHT

TECHNICAL DATA

ITEMS	STANDARD INFORMATION	UNITS
COLOR TEMPERATURE	3000 - 4000 - 5000	KELVIN
VOLTAGE RANGE	AC120-277	VOLTS
FREQUENCY	50/60	HZ
SYSTEM POWER	40 WATT 80 WATT	WATTS
LUMINOSITY	4000 8000	LUMENS
POWER FACTOR	>.9	PF
IP RATING	INTERIOR	IP SCALE
VIEWING ANGLE	120	DEGREES
APPROVED OPERATING TEMPERATURE	-35 THROUGH 40	DEGREES C
DIMENSIONS	24-3/4”X7-3/4” - 2 FOOT	INCHES
	48-3/4”X7-3/4” - 4 FOOT	INCHES
LIFE SPAN WARRANTY	50000	HOURS
	5	YEARS
APPROVALS		
	UL1598A - MARINE TYPE UL INSIDE DRIP PROOF	



IR6 SERIES
UL 1598A | DRIP PROOF
"MARINE TYPE" LOW
PROFILE LIGHT



APPLICATIONS
SURFACE MOUNT
NARROW HOUSING
PASSAGEWAY
WORK STATION

DIMENSIONS

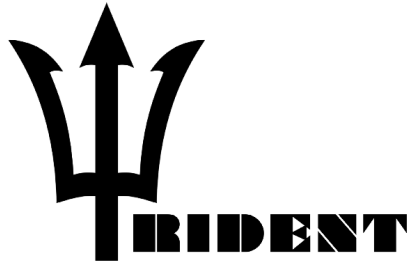
Weight:
2' Units = 6.00 lbs.
4' Units = 8.50 lbs.

MEASUREMENTS SHOWN IN INCHES

BL SERIES

UL 1598A

“MARINE TYPE” LED BUNK LIGHT



BL	-	CO SW	-	4
1	-	2	-	3

1) SERIES

BL- BUNK LIGHT SERIES

2) ACCESSORIES

CO - CONVENIENCE OUTLET

LCO- LESS OUTLET

USB - USB PORT

SW - SWITCH

LSW - LESS SWITCH

3) COLOR TEMP

4 - 4000K

5 - 5000K

BL SERIES

UL 1598A

“MARINE TYPE” LED BUNK LIGHT



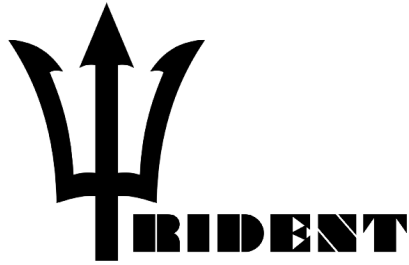
SPECIFICATIONS

CONSTRUCTION	CORROSION-RESISTANT, ALUMINUM BODY AND TRIM
TRIM	WHITE POLYCARBONATE
HARDWARE	STAINLESS STEEL 316 FOR EXTRA DURABILITY
LENS	POLYSTYRENE DIFFUSER
LIGHT SOURCE	LED STRIP LIGHT
POWER SOURCE	120V-277V, 50 HZ, 60 HZ
WIRING	QUICK CONNECT WIRING
MOUNTING	DESIGNED TO BE SURFACE MOUNTED
WARRANTY	5 YEAR WARRANTY

BL SERIES

UL 1598A

"MARINE TYPE" LED BUNK LIGHT



TECHNICAL DATA

ITEMS	STANDARD INFORMATION	UNITS
COLOR TEMPERATURE	4000 - 5000	KELVIN
VOLTAGE RANGE	AC120-277	VOLTS
FREQUENCY	50/60	HZ
SYSTEM POWER	14	WATTS
LUMINOSITY	1400	LUMENS
POWER FACTOR	>.9	PF
IP RATING	34	IP SCALE
BEAM ANGLE	120	DEGREES
APPROVED OPERATING TEMPERATURE	INSIDE TYPE	DEGREES C
DIMENSIONS	14-9/15X4-7/16X3-5/8	INCHES
LIFE SPAN	50000	HOURS
WARRANTY	5	YEARS
APPROVALS		
	UL1598A - MARINE TYPE	

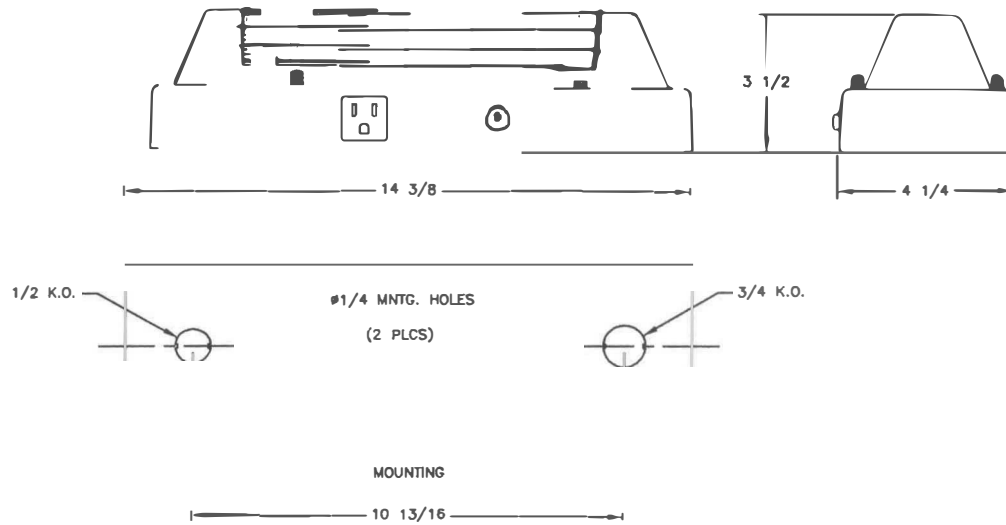


BL SERIES

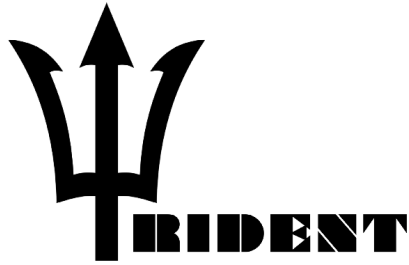
UL 1598A

"MARINE TYPE" LED BUNK LIGHT

DIMENSIONS



MEASUREMENTS SHOWN IN INCHES



ML SERIES

UL 1598A "MARINE TYPE"
LED MIRROR LIGHT



ML	-	CO	-	4
1	-	2	-	3

1) SERIES

ML- MIRROR LIGHT SERIES

2) ACCESSORIES

CO - CONVENIENCE OUTLET W/GFI

LCO- LESS OUTLET

USB - USB PORT

SW - SWITCH

LSW - LESS SWITCH

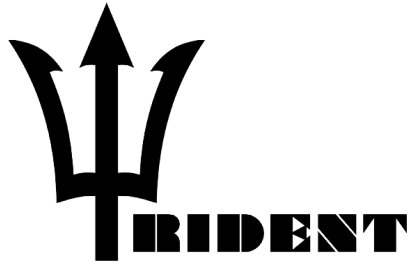
3) COLOR TEMP

4 - 4000K

5 - 5000K

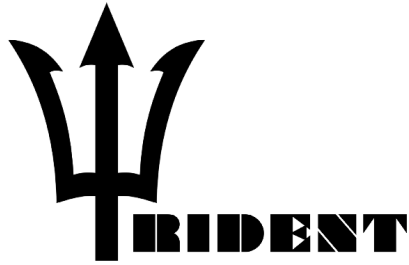
ML SERIES

UL 1598A "MARINE TYPE"
LED MIRROR LIGHT



SPECIFICATIONS

CONSTRUCTION	CORROSION-RESISTANT, ALUMINUM BODY AND TRIM
TRIM	WHITE POLYCARBONATE
HARDWARE	STAINLESS STEEL 316 FOR EXTRA DURABILITY
LENS	POLYSTYRENE DIFFUSER
LIGHT SOURCE	LED STRIP LIGHT
POWER SOURCE	120V-277V, 50 HZ, 60 HZ
WIRING	QUICK CONNECT WIRING
MOUNTING	DESIGNED TO BE SURFACE MOUNTED
WARRANTY	5 YEAR WARRANTY



ML SERIES

UL 1598A "MARINE TYPE"
LED MIRROR LIGHT

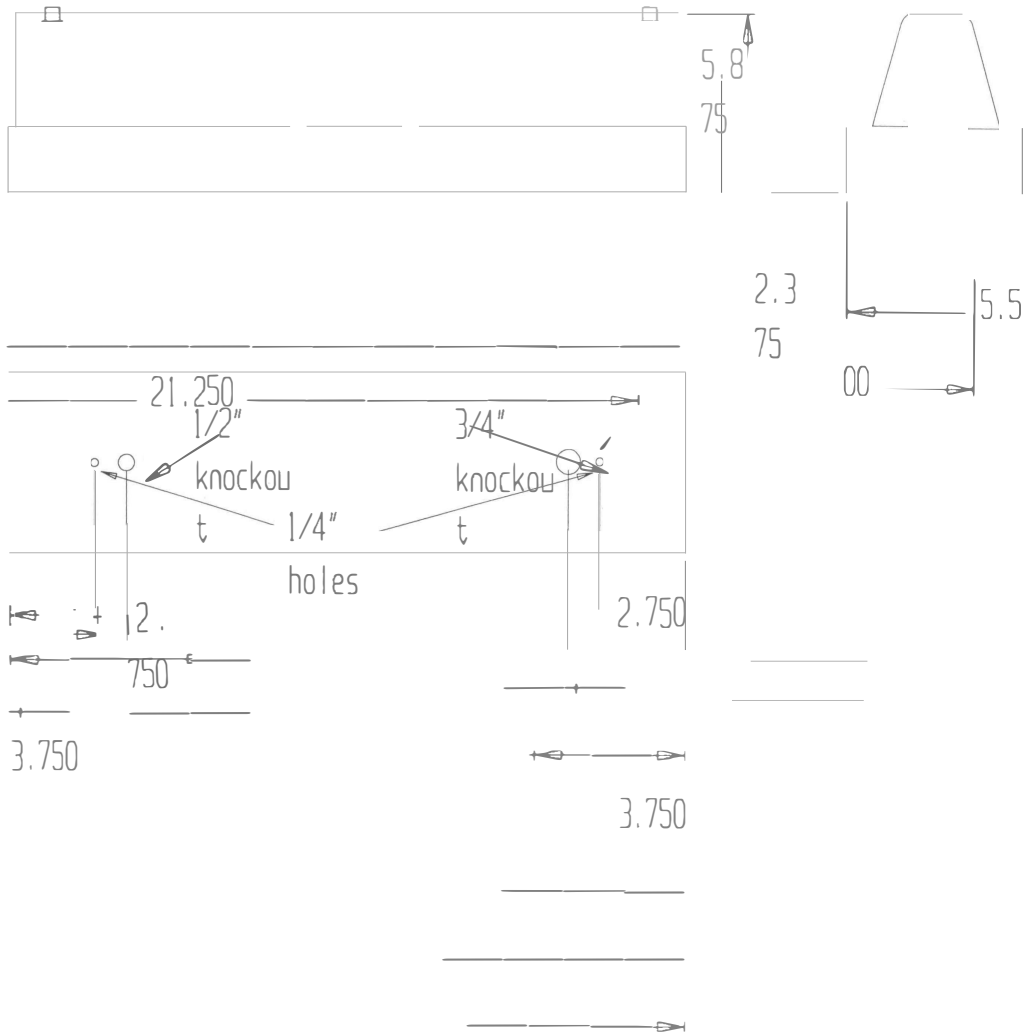
TECHNICAL DATA

ITEMS	STANDARD INFORMATION	UNITS
COLOR TEMPERATURE	4000 5000	KELVIN
VOLTAGE RANGE	AC120-277	VOLTS
FREQUENCY	50/60	HZ
SYSTEM POWER	16	WATTS
LUMINOSITY	2000	LUMENS
POWER FACTOR	>.9	PF
IP RATING	34	IP SCALE
VIEWING ANGLE	120	DEGREES
APPROVED OPERATING TEMPERATURE	INSIDE TYPE	DEGREES C
DIMENSIONS	21,3/8" X 5,1/2" X 5,7/15"	INCHES
LIFE SPAN	50000	HOURS
WARRANTY	5	YEARS
APPROVALS	UL1598A - MARINE TYPE	



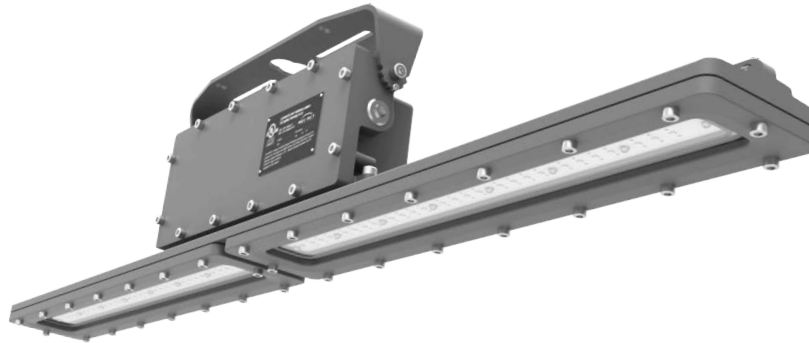
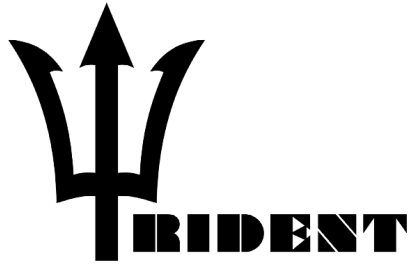
ML SERIES

UL 1598A "MARINE TYPE"
LED MIRROR LIGHT



MEASUREMENTS SHOWN IN INCHES

HAL SERIES
HAZARDOUS AREA
LINEAR FIXTURE



HAL	-	2-	120-277	-	CLR
1	-	2-	3	-	4

1) **SERIES**

HAL- HAZARDOUS LINEAR

SERIES 2) **NOMINAL LENGTH**

2 - 2 FOOT/40WATT

4 - 4 FOOT/80 WATT

3) **VOLTAGE-**

120-277

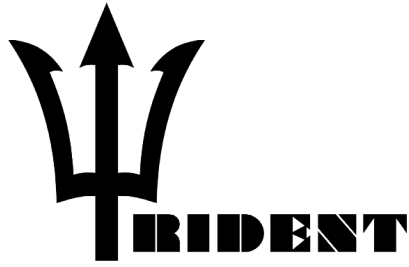
277-480

4) **LENS**

CLR - CLEAR

DFS - DIFFUSED

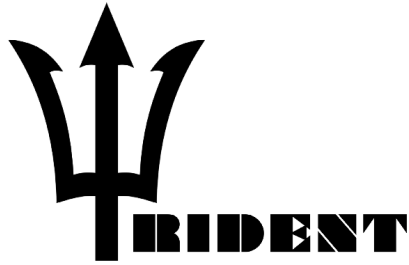
HAL SERIES
HAZARDOUS AREA
LINEAR FIXTURE



SPECIFICATIONS

CONSTRUCTION	MARINE GRADE EXTRUDED ALUMINUM AND DIE CAST DRIVER BOX
FINISH	THERMOSET POWDERCOAT
HARDWARE	STAINLESS STEEL 316 FOR EXTRA DURABILITY
LENS	TEMPERED GLASS
LIGHT SOURCE	LED STRIP LIGHT
POWER SOURCE	120V-277V, 50 HZ, 60 HZ 277V-480V 50HZ, 60HZ
WIRING	3/4" NPT
MOUNTING	DESIGNED TO BE SURFACE MOUNTED
WARRANTY	5 YEAR WARRANTY

HAL SERIES
HAZARDOUS AREA
LINEAR FIXTURE



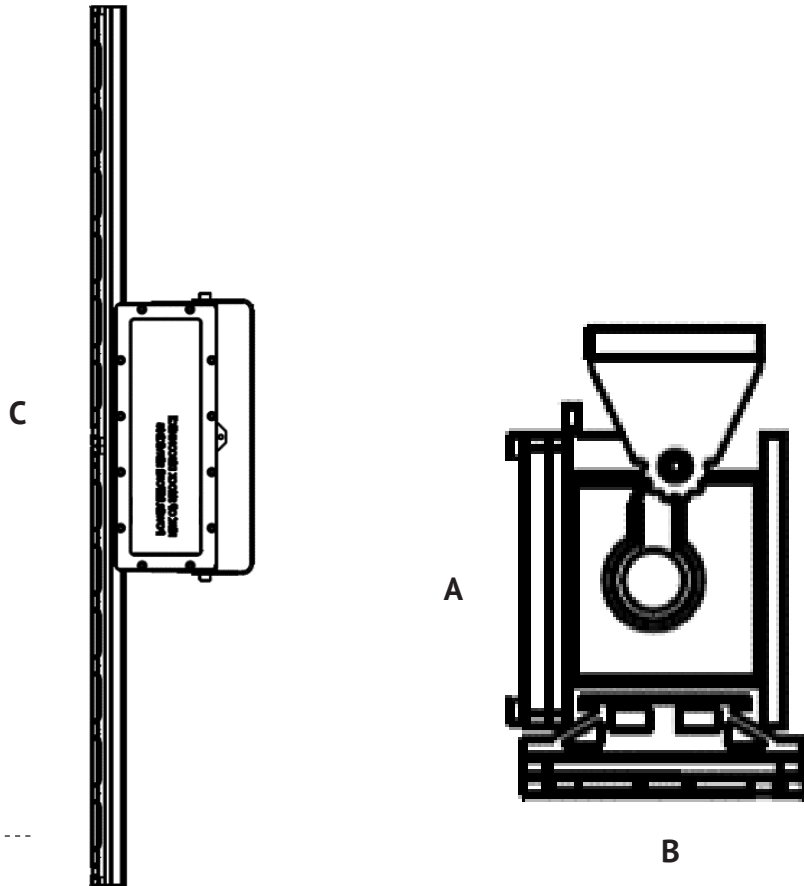
TECHNICAL DATA

ITEMS	STANDARD INFORMATION	UNITS
COLOR TEMPERATURE	4000 5000	KELVIN
VOLTAGE RANGE	AC120-277, 277V-480V	VOLTS
FREQUENCY	50/60	HZ
SYSTEM POWER	40 WATTS 80 WATTS	WATTS
LUMINOSITY	4805 9825	LUMENS
POWER FACTOR	>.9	PF
IP RATING	66	IP SCALE
BEAM ANGLE	120	DEGREES
APPROVED OPERATING TEMPERATURE	-40 THROUGH 60	DEGREES C
DIMENSIONS (2 FT)	8.5X4.3X21.4	INCHES
DIMENSIONS (4 FT)	8.5X4.3X45.3	INCHES
LIFE SPAN	50000	HOURS
WARRANTY	5	YEARS
APPROVALS	UL 844 CL1 DIV1 GPS C, D CL1 DIV2 GPS A,B,C,D UL1598A - MARINE TYPE	



HAL SERIES

HAZARDOUS AREA
LINEAR FIXTURE



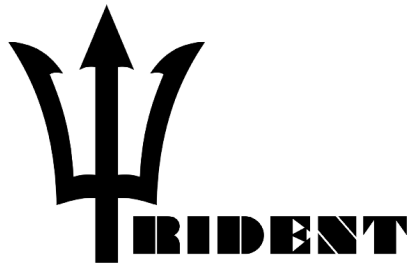
	A	B	C
40W	8.5/215	4.3/108	21.4/544
80W	8.5/215	4.3/108	45.3/1100

Units of Measure:in/mm

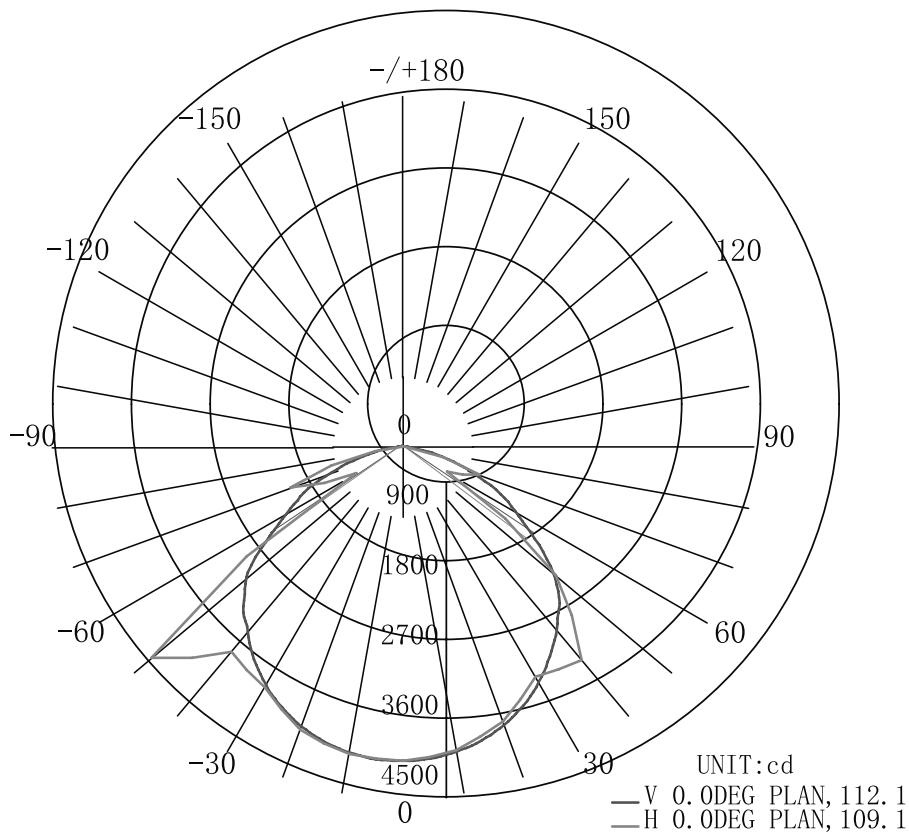
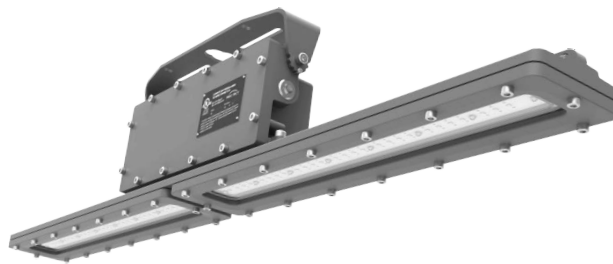
Weight

40W	16.3lb/7.4kg
80W	20.5lb/9.3kg

HAL SERIES
HAZARDOUS AREA
LINEAR FIXTURE

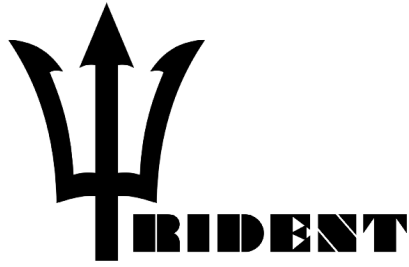


PHOTOMETRIC REPORT



AVERAGE BEAM ANGLE(50%):110.6 DEG

HAF SERIES
HAZARDOUS AREA
FLOOD LIGHT



HAF	-	80	120-277	120
1	-	2	3	4

1) SERIES

HAF- HAZARDOUS FLOOD LIGHT

2) WATTAGE

80

100

150

3) VOLTAGE-

120-277

277-480

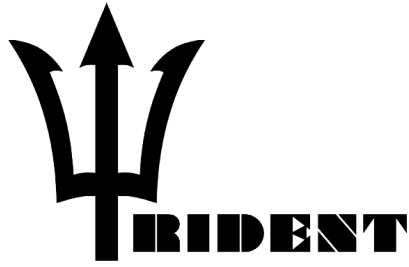
4) BEAM ANGLE

120 DEGREES

60 DEGREES

25 DEGREES

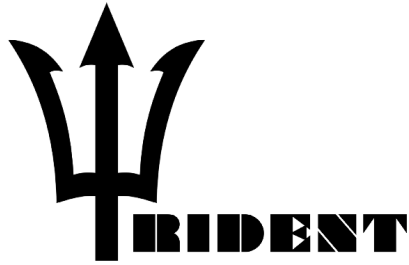
HAF SERIES
HAZARDOUS AREA
FLOOD LIGHT



SPECIFICATIONS

CONSTRUCTION	DIE CAST ALUMINUM
FINISH	THERMOSET POWDERCOAT
HARDWARE	STAINLESS STEEL 316 FOR EXTRA DURABILITY
LENS	TEMPERED GLASS
LIGHT SOURCE	LED
POWER SOURCE	120V-277V, 50 HZ, 60 HZ 277V-480V 50HZ, 60HZ
WIRING	3/4" NPT
MOUNTING	YOKE MOUNT
WARRANTY	5 YEAR WARRANTY

HAF SERIES
HAZARDOUS AREA
FLOOD LIGHT



TECHNICAL DATA

ITEMS	STANDARD INFORMATION	UNITS
COLOR TEMPERATURE	5000	KELVIN
VOLTAGE RANGE	AC120-277, 277V-480V	VOLTS
FREQUENCY	50/60	HZ
SYSTEM POWER	80W 100W 150W	WATTS
LUMINOSITY	9,855 12,170 18,715	LUMENS
POWER FACTOR	>.9	PF
IP RATING	66	IP SCALE
BEAM ANGLE	120, 60, 25	DEGREES
APPROVED OPERATING TEMPERATURE	-40 THROUGH 60	DEGREES C
DIMENSIONS	9.2X12.91X10.7	INCHES
DIM W/O BRACKET)	6.9X12.91X10.7	INCHES
LIFE SPAN	50000	HOURS
WARRANTY	5	YEARS
APPROVALS	UL 844 CL1 DIV1 GPS C, D CL1 DIV2 GPS A,B,C,D UL1598A - MARINE TYPE	



HAF SERIES

HAZARDOUS AREA
FLOOD LIGHT

A	B	C	D	E
9.2/234	6.9/176	.16/4	12.91/328	10.7/271

Units of Measure: in/mm

Weight

15kg / 33lbs

