

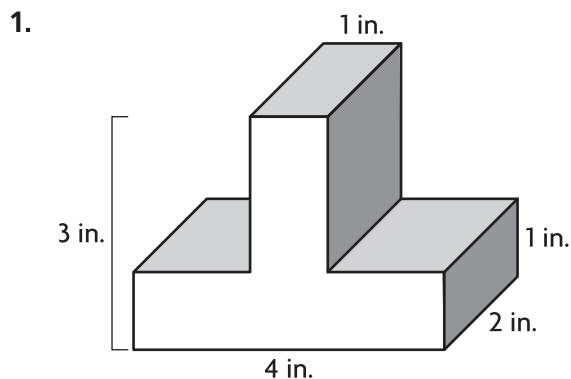
Name \_\_\_\_\_

### Find Volume of Composed Figures

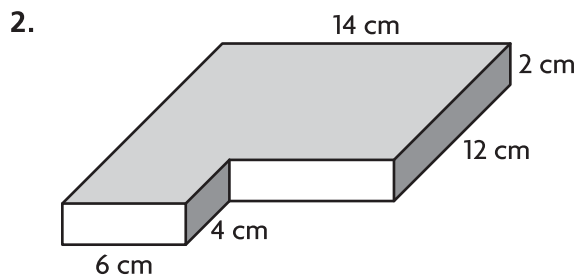


**COMMON CORE STANDARD—5.MD.C.5c**  
*Geometric measurement: understand concepts of volume and relate volume to multiplication and to addition.*

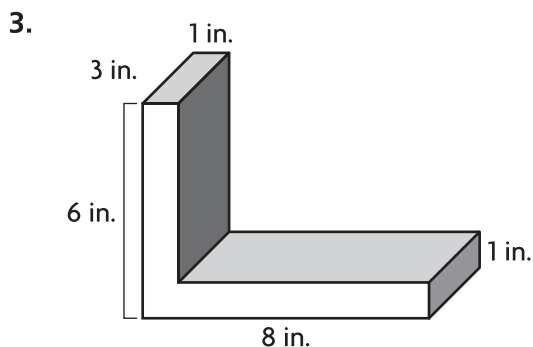
Find the volume of the composite figure.



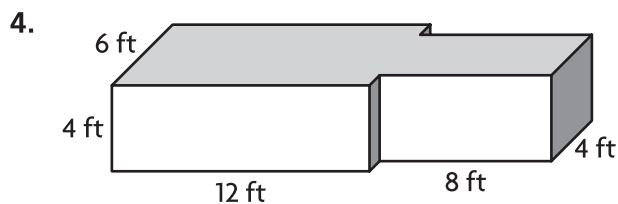
$V =$  \_\_\_\_\_



$V =$  \_\_\_\_\_



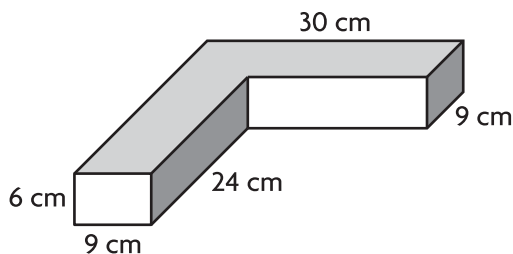
$V =$  \_\_\_\_\_



$V =$  \_\_\_\_\_

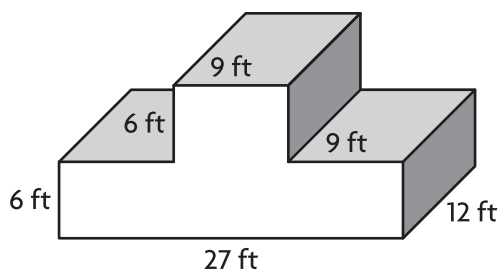
### Problem Solving

5. As part of her shop class, Jules made the figure below out of pieces of wood. How much space does the figure she made take up?



\_\_\_\_\_

6. What is the volume of the composite figure below?



\_\_\_\_\_