

Radio Interface Cable

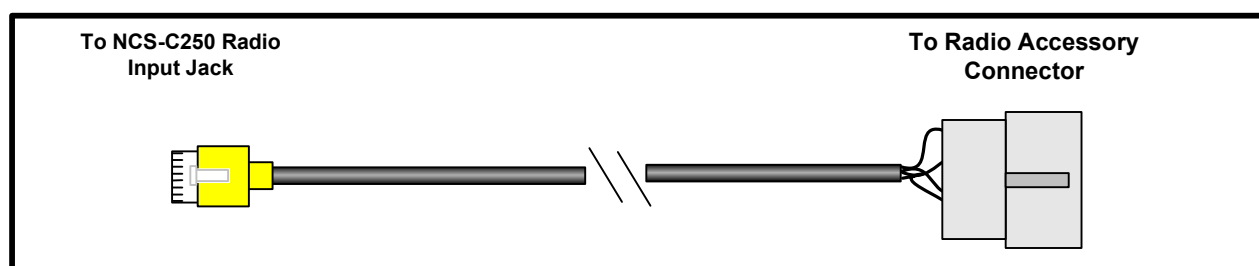
For NCS-C250 Mobile Multi-Switcher

NCS Model Number

NCS-250-UAA-XX

Uniden Compatible Radios:

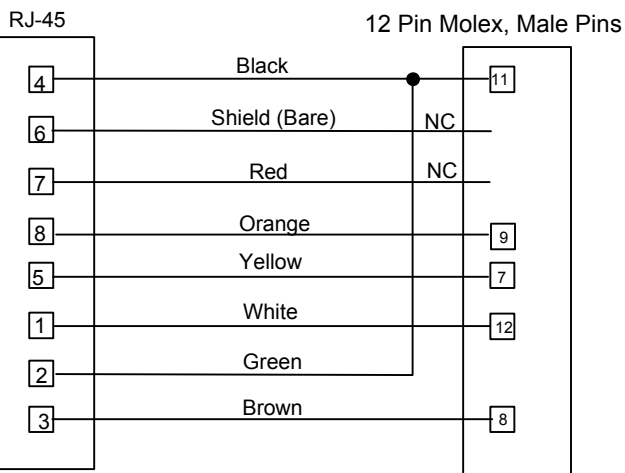
IMH-4100D



RJ-45

Pin #	Wire Color	Function
1	White	Mic Hi
2	Green	Mic Lo
3	Brown	PTT
4	Black	Ground
5	Yellow	Rx Audio
6	Shield	Ground
7	Red	Hook Sw*
8	Orange	COR*

*Active only if Switch Hook or COR Option installed.



Cable Wiring

Notes:

- Add following jumpers from accessory connector to the radio main PCB:
 - From pin 12 to J101 Pin 2 (Mic Audio)
 - From pin 11 to Chassis Ground
 - From pin 7 to J102 pin 11 (Rx Audio)
- Add the following jumpers from the accessory connector to the radio logic PCB:
 - From pin 8 to J603 pin 13 (PTT)
 - From Pin 9 to Q672 input (COR)