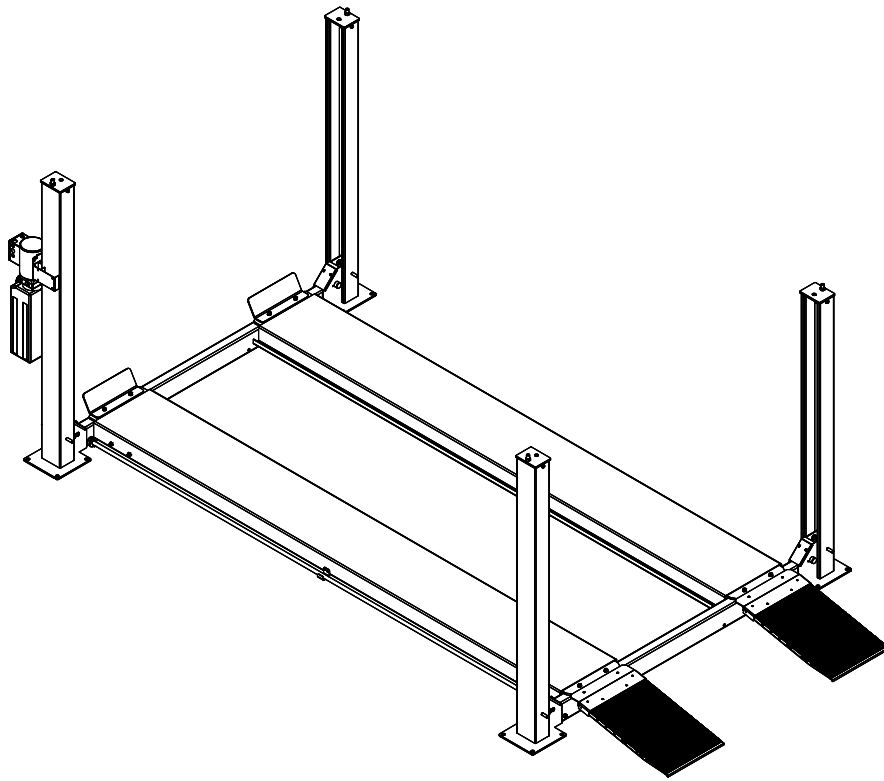




Installation, Operation & Maintenance Manual

Four Post Surface Mounted Lift



Model Q4P09 (9,000 lb Capacity)

200 Cabel Street, P.O. Box 3944 Louisville, Kentucky 40201-3944
Email: sales@qualitylifts.com Web site: www.qualitylifts.com

Office 877-771-5438/ 502-583-5438 Fax 502-583-5488

**IMPORTANT: READ THIS MANUAL COMPLETELY BEFORE
INSTALLING or OPERATING LIFT**

GENERAL SPECIFICATIONS

SPECIFICATIONS	Q4P09
A Length Overall	212½" [17'-8½"]
B Width Overall	112¼"
C Inside Columns	95"
D Between Columns	160½" [13'-4½"]
E Height of Columns	84½"
F Height of Runways	5"
G Width of Runways	20"
H Width Between Runways	37½"
I Rise Height	76"
Lifting Capacity	9,000 lbs.
Motor	1HP
Voltage (Single Phase Std.)	115v
Speed of Rise (approximate)	120 Seconds
Min. Recommended Bay Size	11' x 20'

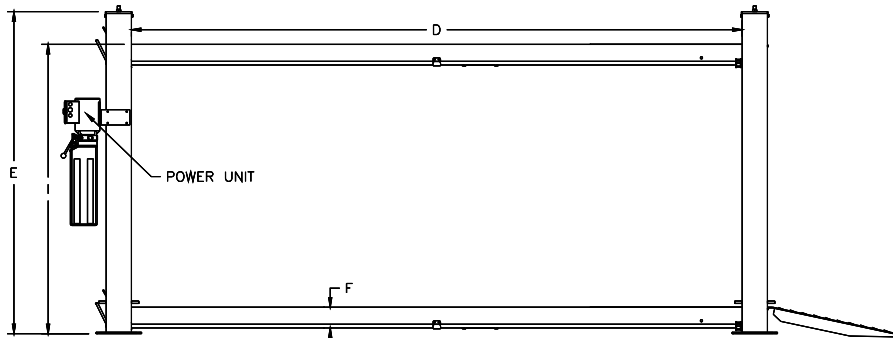
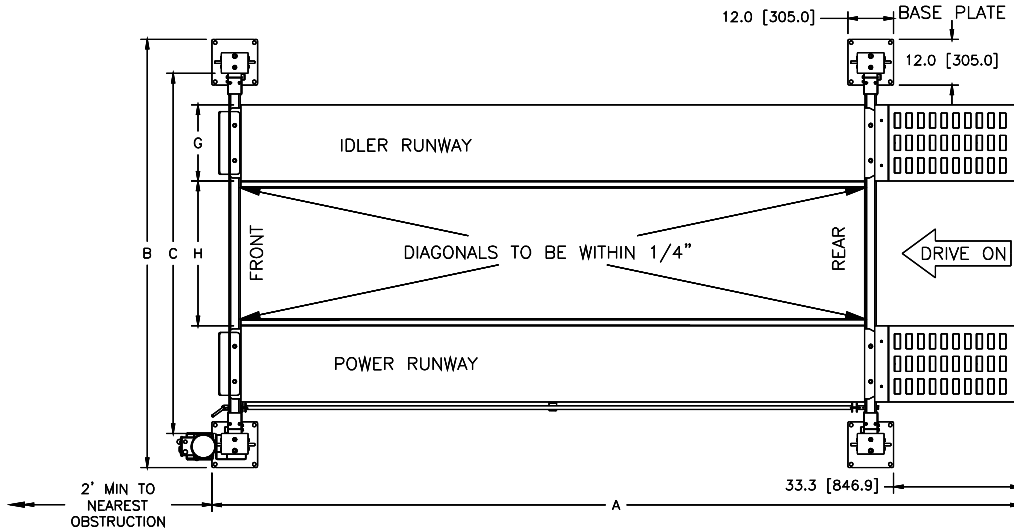


Fig 1 – General Specifications and Service Bay Layout

Model Q4P09
 Installation, Operation and Maintenance

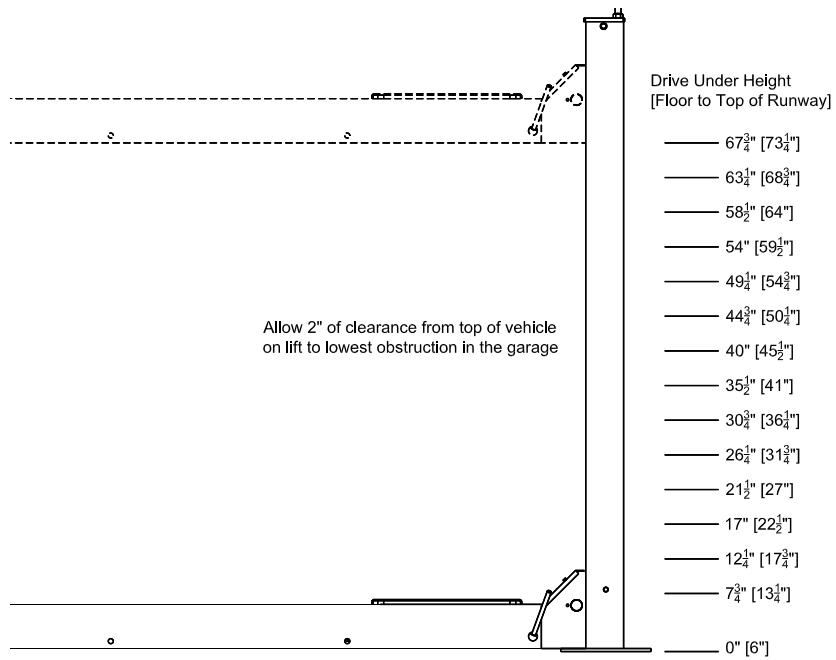


Fig 2 – Drive Under Height

VERTICAL CLEARANCE

Check the height of the area where the lift is to be installed. Clearance should be calculated based on the full raised height of the lift.



WARNING Failure by purchaser to provide adequate clearance could result in unsatisfactory lift performance, property damage, or personal injury.

FLOORING

Be certain you have the proper concrete floor to properly handle the loaded lift. Floor should be in generally good condition with no large cracks, spalling or deterioration.

Minimum requirements for concrete are 4 inches minimum depth, with steel reinforcement, 3500 psi, cured for 28 days per local commercial practice. This lift is designed to accommodate a 3 inch total variation in elevation at the base of the four posts. Floor should be level within 1/2 inch from side-to-side and 2 1/2 front-to-rear to avoid special shimming. No anchors should be installed within 8 inches of any crack, edge, or expansion joint. If these conditions cannot be met, a pad may be poured to accommodate the lift.

Check with local building inspectors and/or permits office for any special instructions or approvals required for your installation.



WARNING Failure by purchaser to provide the recommended mounting surface could result in unsatisfactory lift performance, property damage, or personal injury.

LOCATION

This lift has been evaluated for indoor use only with an operating ambient temp. range of 5 – 40°C (41-104°F)

ELECTRICAL REQUIREMENTS

For lift installation and operation for single phase units, it is necessary to have a dedicated circuit with a single pole 15 amp circuit breaker or time delay fuse.

SAFETY NOTICES AND DECALS

For your safety, and the safety of others, read and understand all of the safety notices and decals included here.

READ ENTIRE MANUAL BEFORE ASSEMBLING, INSTALLING, OPERATING, OR SERVICING THIS EQUIPMENT.

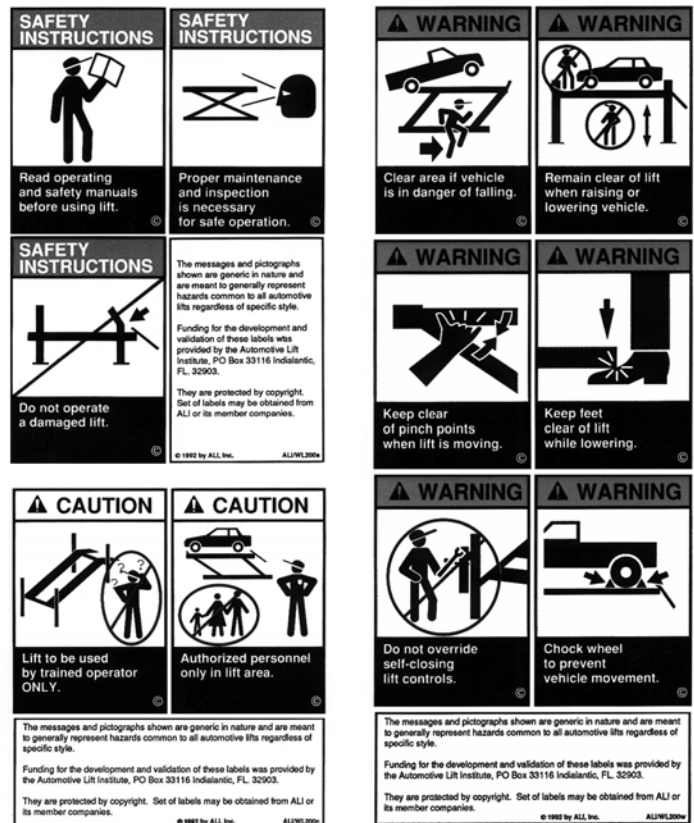
PROPER MAINTENANCE AND INSPECTION IS NECESSARY FOR SAFE OPERATION.

DO NOT OPERATE A DAMAGED LIFT.

Safety decals similar to those shown here are found on a properly installed lift. Be sure that all safety decals have been correctly installed on the Power Unit reservoir. Verify that all authorized operators know the location of these decals and fully understand their meaning. Replace worn, faded, or damaged decals promptly.



WARNING Do not attempt to raise a vehicle on the lift until the lift has been correctly installed and adjusted as described in this manual.



Receiving

The shipment should be thoroughly inspected as soon as it is received. The signed bill of lading is acknowledgement by the carrier of receipt in good condition of shipment covered by our invoice.

If any of the goods called for on this bill of lading are shorted or damaged, do not accept them until the carrier makes a notation on the freight bill of the shorted or damaged goods. Do this for your own protection.

NOTIFY **Quality Lifts** AT ONCE if any hidden loss or damage is discovered after receipt.

IT IS DIFFICULT TO COLLECT FOR LOSS OR DAMAGE AFTER YOU HAVE GIVEN THE CARRIER A CLEAR RECEIPT.

File your claim with **Quality Lifts** promptly. Support your claim with copies of the bill of lading, freight bill, and photographs, if available.

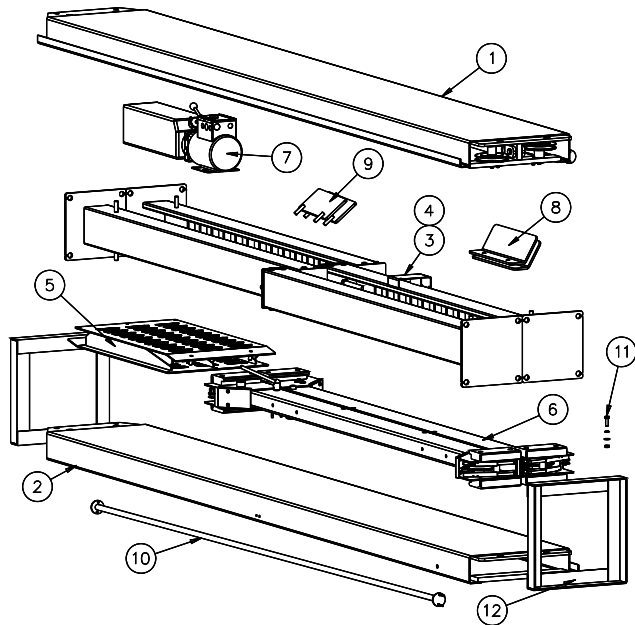


Fig 3 – Package Components

Component Packing List

ITEM #	QTY/ LIFT	DESCRIPTION
1	1	POWER RUNWAY ASS'Y.
2	1	IDLER RUNWAY ASS'Y
3	1	POWER COLUMN ASS'Y
4	3	IDLER COLUMN ASS'Y
5	2	ENTRANCE RAMP
6	2	CROSS BEAM ASS'Y
7	1	POWER UNIT
8	2	FRONT WHEEL STOP
9	2	REAR WHEEL STOP
10	1	MECHANICAL LOCK BAR
11	8	SHIPPING HARDWARE
12	2	SHIPPING BRACKET WELD

INSTALLATION

IMPORTANT: Always wear safety glasses while installing lift.

TOOLS (MINIMUM REQUIRED)

- a. Tape measure, 25ft
- b. Chalk line
- c. 4ft level
- d. 10" & 12" adjustable wrench
- e. Standard open end wrenches 3/8", 7/16", 1/2", 9/16", 5/8", (2) 11/16", 3/4", 15/16", 17mm
- f. 6mm allen wrench
- g. Box knife
- h. Thread locking compound
- i. Thread tape sealant (for air line)
- j. Needle nose pliers
- k. Hammer drill with 3/4" diameter carbide tipped bits (*Optional*)
- l. 2lb hammer
- m. Torque wrench: 150 foot pounds minimum with 1 1/8" socket (*Optional*)
- n. 8 ft. Step ladder
- o. Blocking – (4) 4x4x30", (4) 1x4x12"
- p. Transit for leveling alignment lift

LAYOUT

- 1) Lay out the service bay according to the architect's plans or owners instructions (**see Fig 1**). Be certain that the proper conditions exist, see page 3.
- 2) Unpack lift. Remove all packaging from Power Runway (power runway has four cable sheaves at rear end) and pull threaded cable ends out. Make sure the cables are in the proper sheaves at the 4-stack, **Fig 9**.
- 3) Check the lock clevis to ensure it is secure and that the lock pawl is in the correct position as shown in **Fig 4**. Adjust the clevis if necessary.

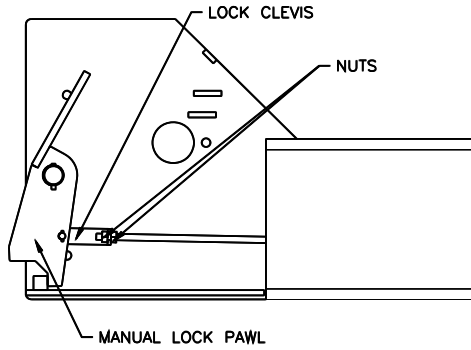


Fig 4 – Lock Clevis

COLUMNS

- 4) Disassembly each column assembly place the columns close to each corner (column with the power unit bracket goes at the front left column per **Fig 1**).
- 5) With the runways spaced per **Fig 1**, lay the cross beams on the runway per **Fig 5** below. Place cardboard between the runway and cross beam. Slide the column over the ends of the slide blocks on the cross beam. Repeat for each column.

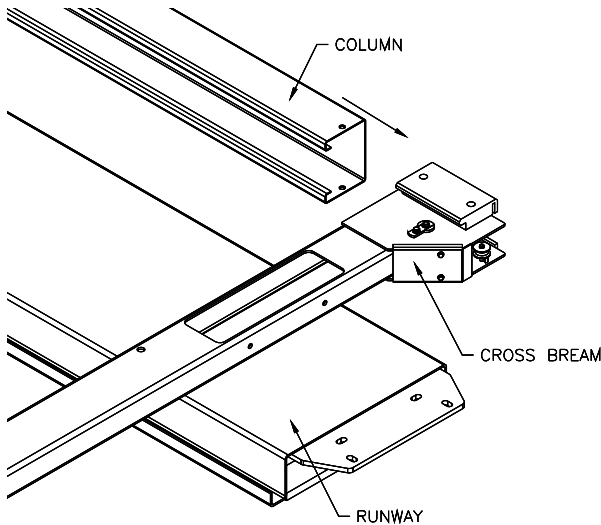


Fig 5 – Column/Cross Beam Assembly

- 6) With help, stand up the front and rear column/cross beam assemblies.
- 7) Reassembly the lock ladder to the top cap at each column. Note: the lock ladder is offset from the center of the threaded rod, and orientate per **Fig 6**.

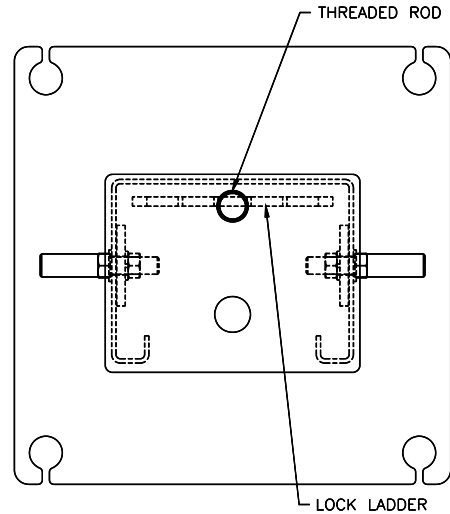


Fig 6 – Locking Ladder Orientation

- 8) Adjust the lock ladder so about 1½” remains sticking out of the top. Torque both bolts as shown in **Fig 7** when ladder is properly orientated. Note: When adjusting the lock ladder it maybe necessary to loosen or remove the bolts holding the top cap to the column so the bottom nut can be adjusted easily.

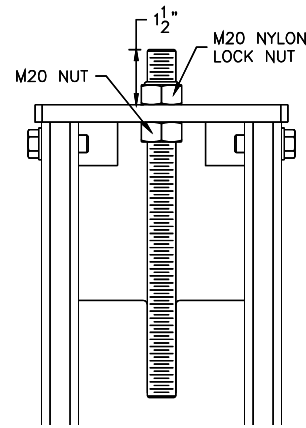


Fig 7 – Lock Ladder Assembly

- 9) Repeat for remaining three columns.

RUNWAY LAYOUT

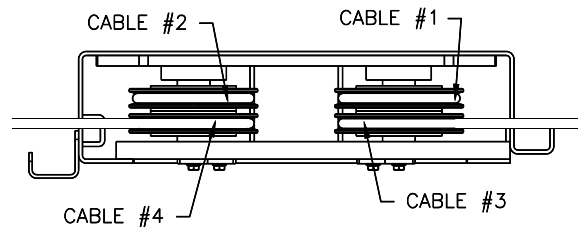


Fig 8 – Power Runway 4-Stack (rear view)

- 10) Position runways on blocking (*see Fig 9*) per layout lines established in step 1. Use four 30" long 4x4's spanning the width of the runway and four 12" long 1x4's to shim up the jack-rail side of the runway. Cable #1 & #2 should be extending out from the front of the power

runway and cable #3 & #4 from the rear of the power runway, **Fig 9**.

- 11) Position the front and rear cross beams, **Fig 8**.

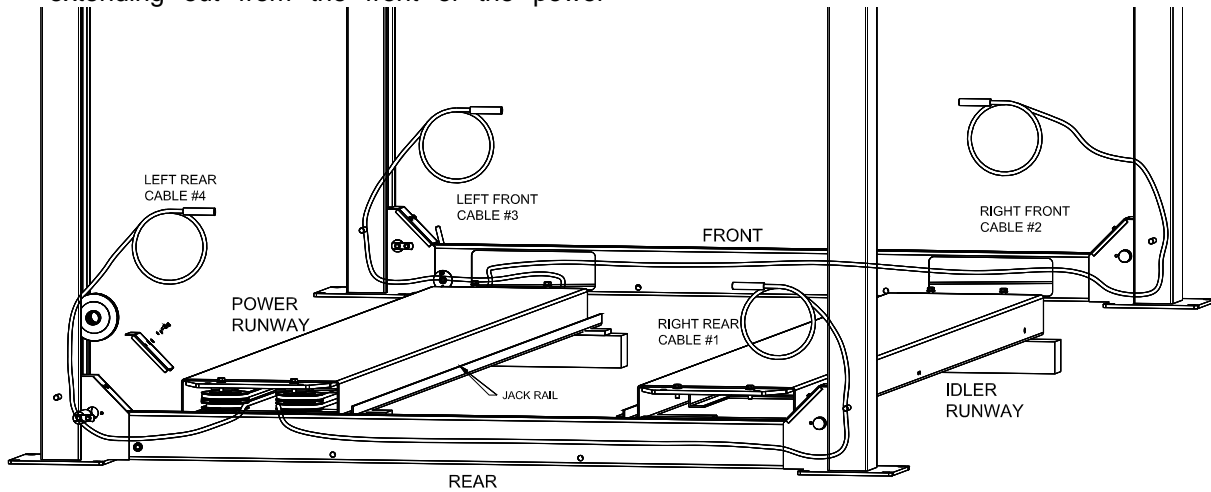


Fig 9 – Runway Layout

- 12) Remove the four (4) cross beam sheaves (one sheave from each end). The runway sheave pins do not need to be removed.
- 13) Starting from the bottom of the left sheave stack, route cable #4 through the access hole and up out the left end of the rear cross beam, repeat for cable #2 running the length of the power runway and out the right end of the front cross beam.
- 14) Starting from the top of the right sheave stack, cable #3 runs the length of the power runway and out the left front side of the cross beam, repeat for cable #1 that will come out the right rear cross beam.
- 15) Look through the power end of the cross beam and ensure that cables have not crossed.
- 16) Reinstall the cross beam sheaves with one plastic bearing washer and spacer on each side of each sheave.
- 17) Secure the cables to the top of the column with the nut and jam nut provided, **Fig 10**.

- 19) With runways and cross beams loose, attach the mechanical lock bar to both cross beams with the supplied hardware. Tighten once cross beams are attached to the runways.

- 20) Attach both cross beams to the runways with M12 x 35mm lg. bolts, lock washers and washers (two at each end of each runway). Do not torque bolts yet.

- 21) Check the layout of the lift in the bay. If anchoring the lift, this is the last chance to make adjustments. Adjust the position of the runways so the distance from power side jack rail to idler side jack rail is the same at the front and the rear and the diagonal measurements from the front tip of one rail to rear tip of the opposite rail are within 1/4", **Fig 11**.

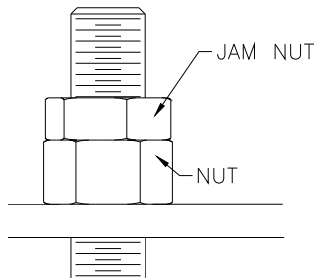


Fig 10-Jam Nut

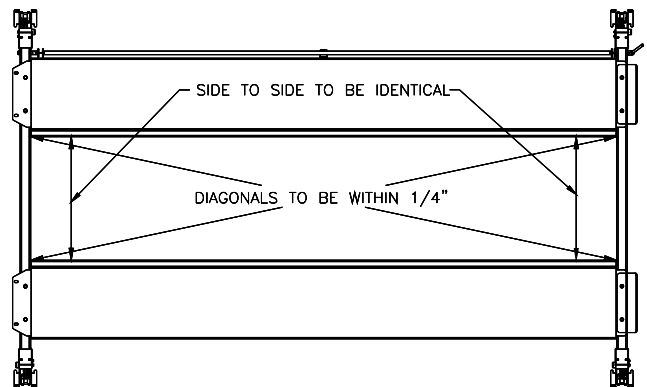


Fig 11 – Final Runway Positioning

- 18) Assemble the hydraulic bulk head fittings and attach the hose from the under side of the of power runway to the fittings.

- 22) Center cross beam bolts with slots in runway and tighten. (Be careful not to move runways.)

ANCHORING (OPTIONAL)

NOTE: Lift must be anchored in place if slope is greater than 1/8" per 1 foot.

- 23) The anchor bolts must be installed at least 8" from any crack, edge, or expansion joint.
- 24) Use a concrete hammer drill with a 3/4 inch carbide bit. Tip diameter should conform to ANSI Standard B94.12-1977 (.775 to .787). Do not use excessively worn bits or bits which have been incorrectly sharpened. A core bit may be necessary if an obstruction is encountered. **Never substitute with shorter anchor.**
- 25) Drill the anchor holes using the base plate as a template. Drill through the floor if possible or to a depth of 5 inches minimum.
- 26) Vacuum dust from the hole for proper holding power.
- 27) Shim columns to plumb using the shims provided or steel washers. DO NOT shim more than 1/2" at any given point. Use a level no less than 24" in length to plumb columns.
- 28) Assemble washer and nut to anchor with nut just below impact section of bolt. Drive anchor into hole until nut and washer contact base. Tighten anchor bolts and recheck column for plumb. Re-shim as required.

NOTE: Level bubble should not only be between the lines, the bubble should be centered between the lines. If shims do not allow sufficient centering of the bubble, it is best to lean the rear columns in the direction toward each other and the front columns in the direction toward each other.

- 29) Install the four cable ends with one load nylon lock nut, and one jam nut.

Power Unit

- 30) Install the Power Unit to the column using the supplied M8x20mm bolts and M8 nuts. The power unit can be installed on either the front or side of the power column to suit install location, shown in Fig 12.

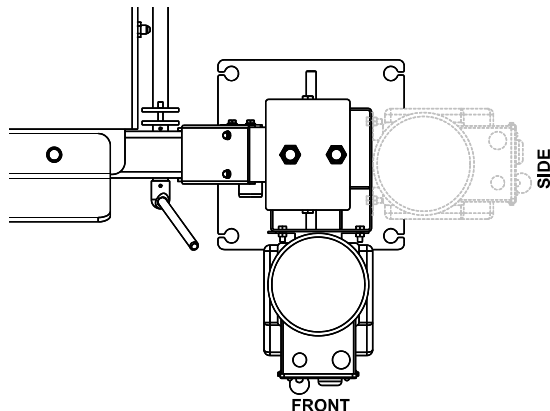


Fig 12 – Power Unit

- 31) For installs on the front of the column (Fig 13), rout the power unit supply line to the bulkhead shown below. Attach the 90 degree fitting at a slight angle downward and secure the hose to the fitting.

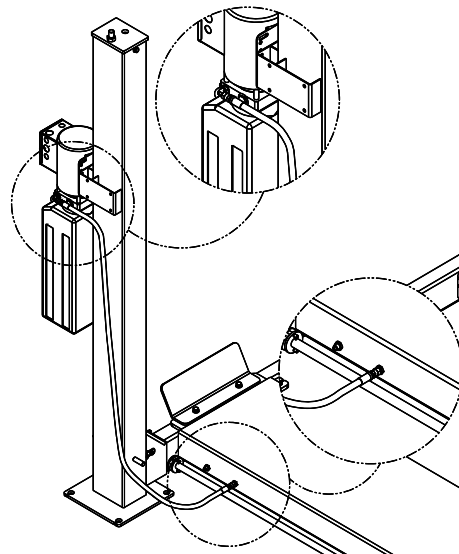


Fig 13 – Supply Line, Front

- 32) Remove the 3/8-18 NPT plug on the side of the power unit and replace with the 3/8-18 NPT x 9/16-18 adapter and then attach the 90 degree elbow at a slightly downward angle. Secure the hose to the bulkhead shown in Fig 14.

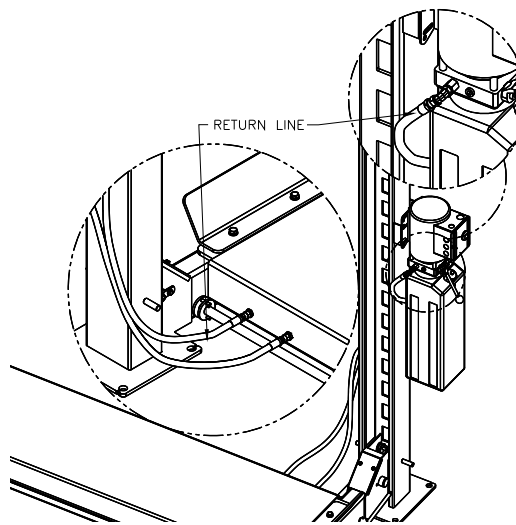


Fig 14 – Return Line, Front

- 33) For installs with the power unit on the side of the column rout the supply line to the bulkhead shown in Fig 15.

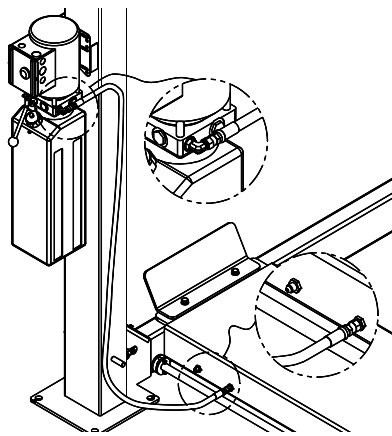


Fig 15 – Supply Line, Side

- 34) Remove the 3/8-18 NPT plug on the side of the power unit and replace with the 3/8-18 NPT x 9/16-18 adapter and attach the 90 degree elbow to the adapter, **Fig 16**.

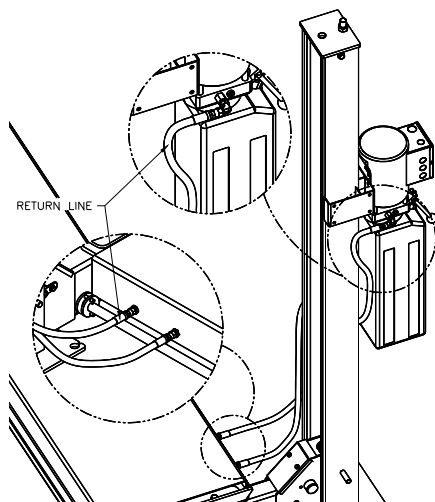


Fig 16 – Return Line, Side

NOTE: When attaching the return line to the bulk head in the runway, make sure it is securely attached at the power unit, and the hose is not twisted or torque in a position that will lead it to getting caught on the power unit reservoir. Raise the lift and carefully watch the path the hose is riding up the column, adjust connection at the power unit and/or runway bulkhead to allow the hose to move up between the power unit and column.

- 35) Install O-Ring end of the straight hydraulic fitting (9/16-18 O-Ring x M14x1.5-6g) to power unit output port. Connect the hydraulic hose to the hydraulic bulkhead fitting in the power runway.

Do Not Use Teflon Tape or Pipe Dope on fittings.

- 36) Connect the power unit to a suitable electrical power source. The standard power unit is 115 volt 50/60 Hz single phase

requiring a dedicated 15 amp single throw circuit breaker to operate lift at full capacity.

- 37) **BE CERTAIN ALL FITTINGS AND CONNECTIONS ARE TIGHT. IT IS THE INSTALLERS RESPONSIBILITY TO INSURE SYSTEM IS LEAK-FREE.** Fill the Power Unit with three gallons of clean 10wt anti-foam anti-rust hydraulic oil or Dexron III ATF. **Do Not Use Oils With DETERGENTS.**
- 38) Energize the power unit and raise the lift approximately 1 ft off the ground and look underneath the power runway to verify that the cable lugs are resting firmly against the cylinder pull bar.
- 39) To level the runways and crossbeams use a 4 ft. level. With the lift resting in its locks, find the highest corner and adjust the other three column ladder bars until the runways are level front-to-rear and side-to-side. Tighten jam nut against bottom side of each column top plate.
- 40) Adjust cables until all four locks are synchronized when lift is raised. Tighten cable jam nuts against adjustment nuts.
- 41) Raise and lower lift several times to bleed hydraulic cylinder. Hydraulic cylinder is self bleeding. Lower lift and check fluid level in reservoir. Add fluid as needed.
- 42) Run lift to full rise and continue running motor approximately 5 more seconds. Check hydraulic hose and connections for leaks. Re-tighten fitting if leaking.

COLUMN DECAL PLACEMENT

- 43) Center the decal on the front drivers side column and rear passenger side column.
- 44) Apply decal 4" from top of columns, **Fig 17**.

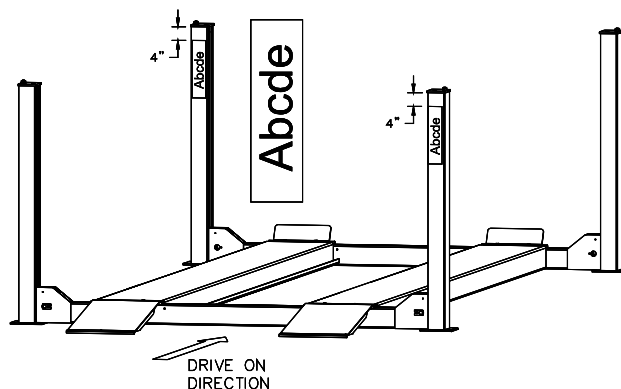


Fig 17 – Decal Placement

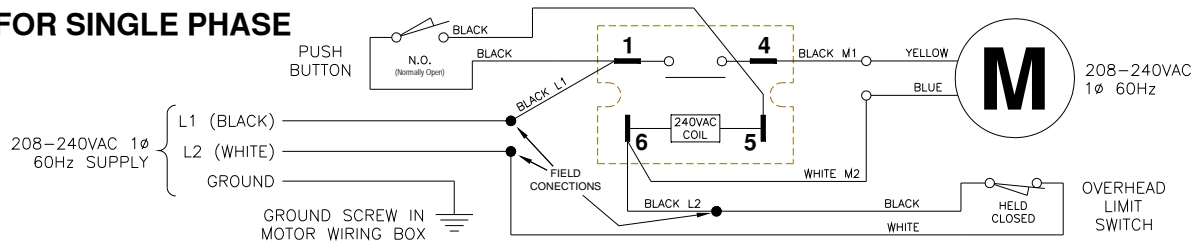
Wiring Diagram

EACH LIFT SHOULD HAVE A DEDICATED CIRCUIT WITH A DOUBLE POLE (THREE POLE FOR 440-480V) BREAKER OR TIME DELAY FUSE SIZED ACCORDING TO THE FOLLOWING CHART

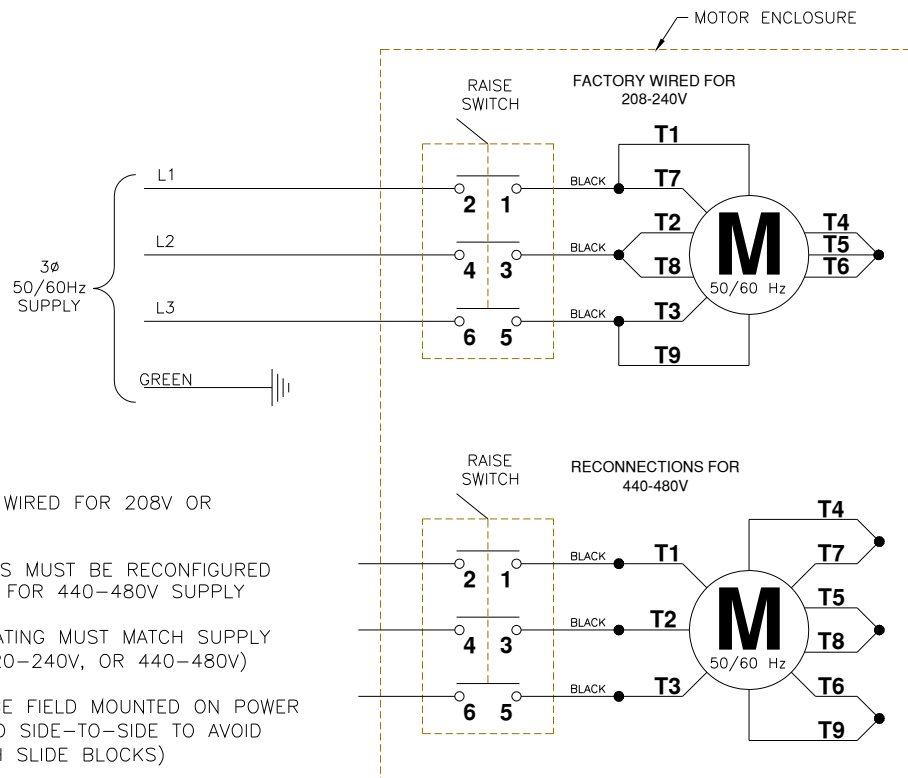
	1 ϕ 208-240V	3 ϕ 208V	3 ϕ 220-240V	3 ϕ 440-480V
2Hp	25amp	15amp	15amp	5amp

* WIRING MUST COMPLY WITH ALL LOCAL ELECTRICAL CODES *

FOR SINGLE PHASE



FOR THREE PHASE



NOTES:

- 1) MOTOR IS FACTORY WIRED FOR 208V OR 220-240V SUPPLY
- 2) MOTOR CONNECTIONS MUST BE RECONFIGURED PER THIS DIAGRAM FOR 440-480V SUPPLY
- 3) CONTACTOR COIL RATING MUST MATCH SUPPLY VOLTAGE (208V, 220-240V, OR 440-480V)
- 4) CONTACTOR MUST BE FIELD MOUNTED ON POWER COLUMN (CENTERED SIDE-TO-SIDE TO AVOID INTERFERENCE WITH SLIDE BLOCKS)
- 5) MOTOR ROTATION IS COUNTER CLOCKWISE FROM TOP OF MOTOR

Fig 18 – WIRING DIAGRAM

OPTIONAL ACCESSORIES

OIL DRIP TRAY (Q4P09DT)

- 1) Place drip tray between runways in the Jack rail, **Fig 19**.
- 2) Slide along jack rail until its in desired location.

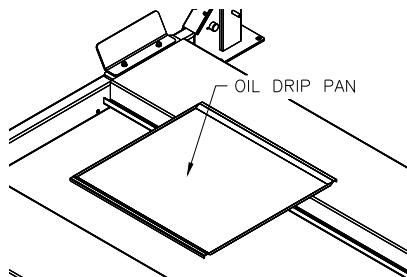


Fig 19 – Oil Drip Tray

STORAGE PLATFORM (Q4P09SP)

- 1) Up to four Storage Platforms can be placed between the runways, **Fig 20**.

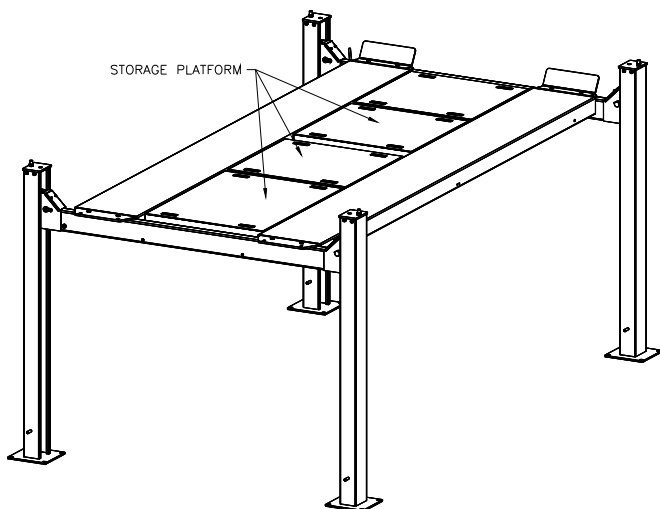


Fig 20 – Storage Platform

JACK PLATFORM (Q4P09JT)

- 1) The Jack Platform rest on the jack rails between the runways. It can be positioned as needed along the rail, **Fig 21**.

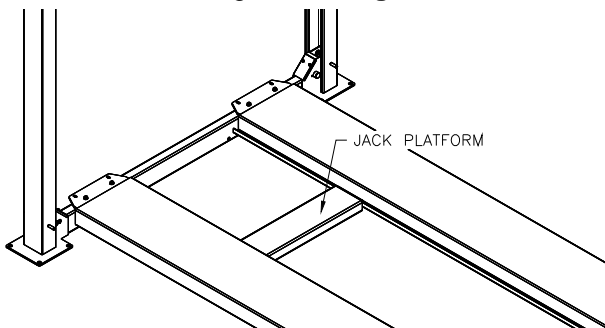


Fig 21 – Jack Platform

MOBILITY KIT (Q4P09CS)

- 1) This set of four casters when attached to the cross beams of an unloaded lift, **Fig 22**, pick the lift up and allow it to be rolled to a different location.

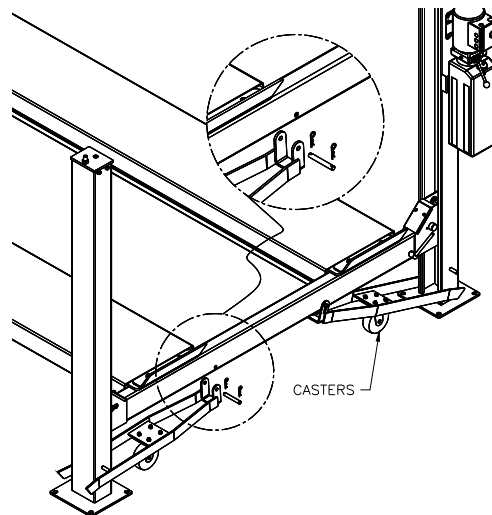


Fig 22– Mobility Kit

HAND OPERATED ROLLING JACK (QRJ04H)

- 1) Move the jack into under vehicle and extend the arms to the pick up points.
- 2) Make sure the lowering valve is closed all the way by turning the knob clockwise, **Fig 23**.
- 3) Raise vehicle desired height, rest the jack in one of the jack locks.
- 4) To lower, pump the jack to raise it enough to disengage the lock, and turn the lowering knob counter-clockwise.

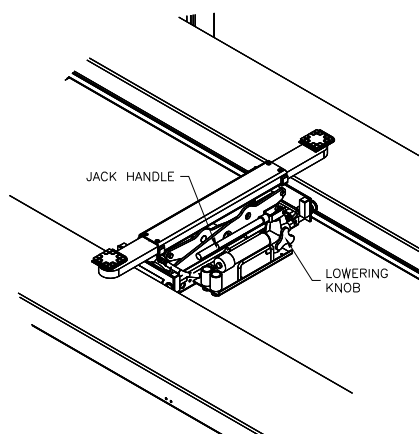


Fig 23 – Rolling Jack

EXTENDED ALUMINUM RAMPS (Q4P09ER)

- 1) Install in the rear of the runway by placing the two studs in the slotted holes.
- 2) Remove before raising the lift.

OWNER/OPERATOR CHECKLIST

SAVE THESE INSTRUCTIONS deliver them to owner/user/employee along with other materials furnished with this lift.

- 45) Demonstrate the operation of the lift to the owner/operator and review correct and safe lifting procedures using the **Lifting It Right** booklet as a guide.
- 46) Complete the Installation Checklist/Warranty Validation questionnaire with the owner. Review the terms of the warranty registration card, and return the card and a copy for the questionnaires to:

Quality Lifts, Inc.

P.O. Box 3944
Louisville, KY. 40206

OPERATION PROCEDURE

SAFETY NOTICES AND DECALS

This product is furnished with graphic safety warning labels, which are reproduced on page 3 of these instructions. Do not remove or deface these warning labels, or allow them to be removed or defaced. For your safety, and the safety of others, read and understand all of the safety notices and decals included.

OWNER/EMPLOYER RESPONSIBILITIES

This lift has been designed and constructed according to ANSI/ALI ALCTV-2006 standard. The standard applies to lift manufactures, as well as to owners and employers. The owner/employer's responsibilities as prescribed by ANSI/ALI ALOIM-2000, are summarized below. For exact wording refer to the actual standard provided with this manual in the literature pack.

The Owner/Employer shall insure that lift operators are qualified and that they are trained in the safe use and operation of the lift using the manufacturer's operating instructions; ALI/SM 93 -1, ALI Lifting it Right safety manual; ALI/ST-90 ALI Safety Tips card; ANSI/ALI ALOIM-2000, American National Standard for Automotive Lifts-Safety Requirements for Operation, Inspection and Maintenance; ALI/WL Series, ALI Uniform Warning Label Decals/Placards; and in case of frame engaging lifts, ALI/LP-GUIDE, Vehicle Lifting Points/Quick Reference Guide for Frame Engaging Lifts.

The Owner/Employer shall establish procedures to periodically inspect the lift in accordance with the lift manufacturer's instructions or ANSI/ALI ALOIM-2000, American National Standard for Automotive Lifts-Safety Requirements for Operation, Inspection and Maintenance; and the employer shall insure that the lift inspectors are qualified and that they are adequately trained in the inspection of the lift.

The Owner/Employer shall establish procedures to periodically maintain the lift in accordance with the lift manufacturer's instructions or ANSI/ALIOIM-2000, American National Standard for Automotive Lifts-Safety Requirements for Operation, Inspection and Maintenance; and the employer shall insure that the lift maintenance personnel are qualified and that they are adequately trained in the maintenance of the lift.

The Owner/Employer shall maintain the periodic inspection and maintenance records recommended by the manufacturer or ANSI/ALI ALOIM-2000, American National Standard for

Automotive Lifts-Safety Requirements for Operation, Inspection and Maintenance.

The Owner/Employer shall display the lift manufacturer's operating instructions; ALI/SM 93 -1, ALI Lifting it Right safety manual; ALI/ST-90 ALI Safety Tips card; ANSI/ALI ALOIM-2000, American National Standard for Automotive Lifts-Safety Requirements for Operation, Inspection and Maintenance; and in the case of frame engaging lift, ALI/LP-GUIDE, Vehicle Lifting Points/Quick Reference Guide for Frame Engaging Lifts; in a conspicuous location in the lift area convenient to the operator.

IMPORTANT SAFETY INSTRUCTIONS

When using your garage equipment, basic safety precautions should always be followed, including the following:

1. Read all instructions.
2. Care must be taken as burns can occur from touching hot parts.
3. To reduce the risk of fire, do not operate equipment in the vicinity of open containers of flammable liquids (gasoline).
4. Keep hair, loose clothing, fingers, and all parts of body away from moving parts.
5. Use only as described in this manual. Use only manufacturer's recommended attachments.
6. ALWAYS WEAR SAFETY GLASSES. Everyday eyeglasses only have impact resistant lenses, they are not safety glasses.

SAVE THESE INSTRUCTIONS

Model Q4P09
Installation, Operation and Maintenance

LIFTING A VEHICLE

Place entrance ramps in the slotted holes on the front of the ramp. Drive vehicle onto lift. Set parking brake. Remove entrance ramps before lifting.

When the vehicle has reached the desired working height, release the power pack button, and lower the vehicle until the safety locks are engaged. The vehicle should remain level when all locks are engaged. If one side engages and the other continues to descend, stop lowering the vehicle, raise it several inches, and try again to engage locks.

IMPORTANT, Before walking under the lift insure that all locks are properly engaged.

It is not safe to work under the vehicle unless all locks are engaged, and the vehicle is level.

LOWERING A VEHICLE

Insure that the area under the vehicle is clear of personnel and tools.

Raise the vehicle until locks are free.

Disengage the locks by rotating the mechanical lock handle.

Lower the vehicle by depressing the lowering valve handle. Watch lift to insure that the lift is lowering evenly. If not, raise lift and check all locks to insure they are disengaged before trying to lower lift again.

Continue to lower the vehicle until the crossbeams stop against the base plate. It is important to fully lower the lift to release hydraulic pressure on the system.

MAINTENANCE

To avoid personal injury, permit only qualified personnel to perform maintenance on this equipment. Maintenance personnel should follow lockout/tagout instructions per ANSI Z244.1.

The following maintenance points are suggested as the basis of a routine maintenance program. The actual maintenance program should be tailored to the installation. See ANSI/ALI ALOIM booklet for periodic inspection checklist and maintenance log sheet.

- If lift stops short of full rise or chatters, check fluid level and bleed both cylinders per Installation Instructions.
- Replace all Safety, Warning or Caution Labels if missing or damaged. (**See *Installation instructions page 3.***)

Daily

- Keep lift components clean.
- Check for loose or broken parts.
- Check hydraulic system for fluid leaks.
- Check lock release activation.

Weekly

- Check cables and sheaves for wear or damage. Replace as required with genuine **Quality Lifts, Inc.** parts.
- Inspect lock mechanism for proper function.

Monthly

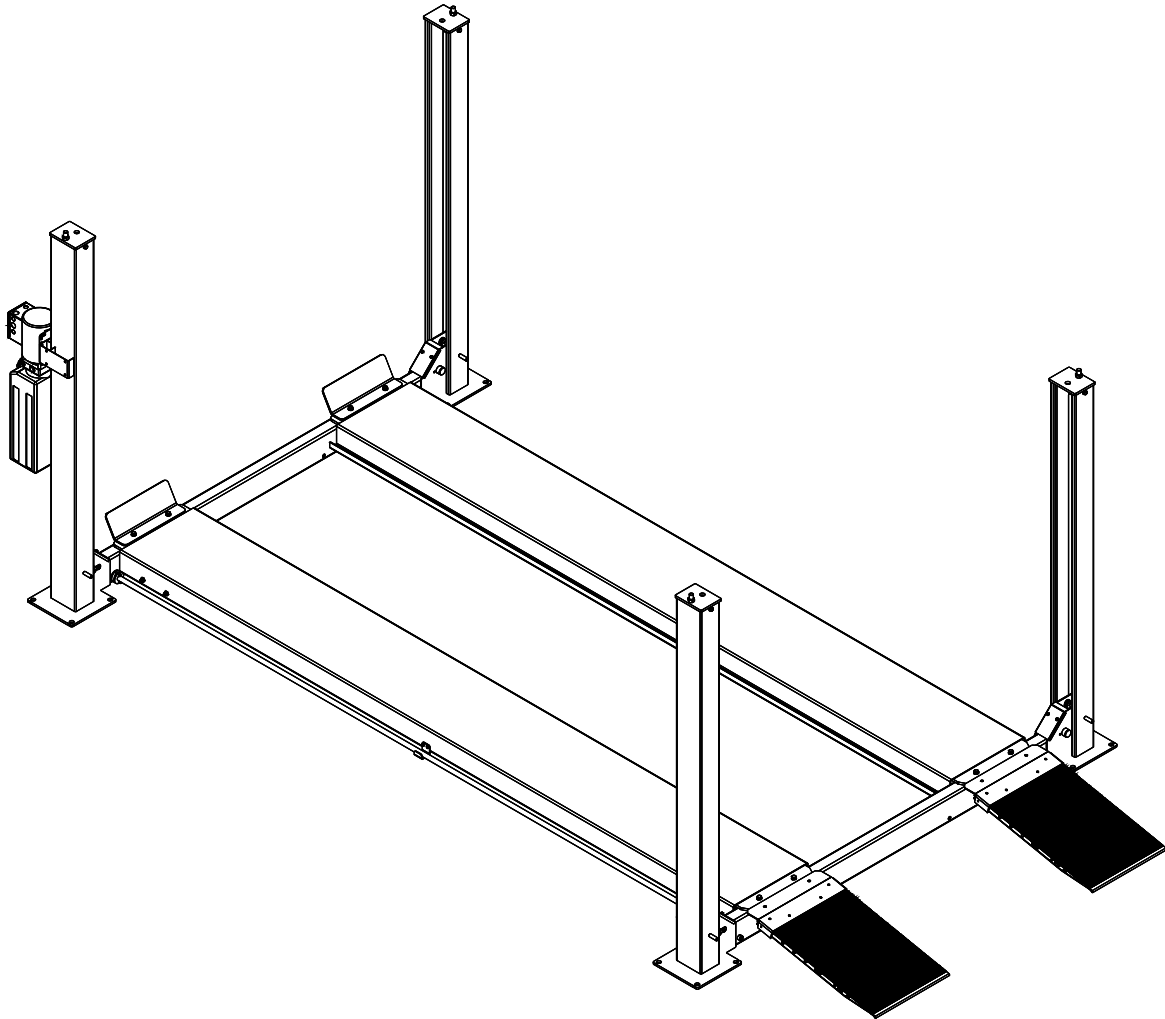
- Torque concrete anchor bolts to 80 ft-lbs.
- Clean and inspect cables and sheaves for wear or damage. Lubricate cables and sheaves with light oil.
- Visually inspect concrete floor for cracks and/or spalls within 12" of base plate

IMPORTANT ! Failure to keep lift free of corrosive agents and solvents will lead to reduced service life, which could result in property damage and/or personal injury.

If any problems are encountered, contact your local service representative.

Parts Breakdown

Model Q4P09

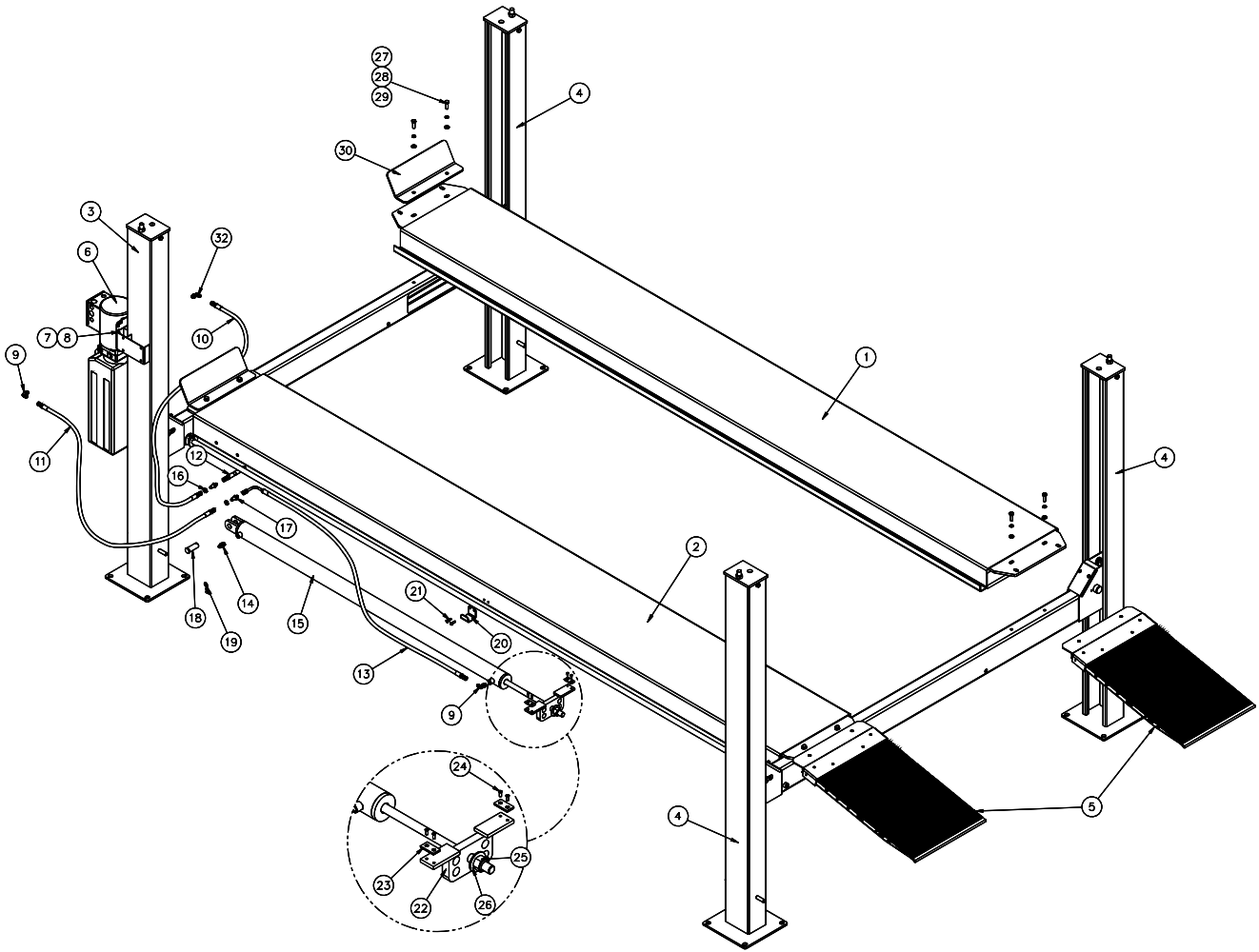


IMPORTANT!!!

Replace all worn or broken parts with genuine **Quality Lifts Inc.** parts.
Contact your local Quality Lifts Parts Distributor for pricing and availability.
(Call Quality Lifts Inc. (502) 583-5438 for the Parts Distributor in your area)

Parts Breakdown

Fig A. General Layout



Model Q4P09
Installation, Operation and Maintenance

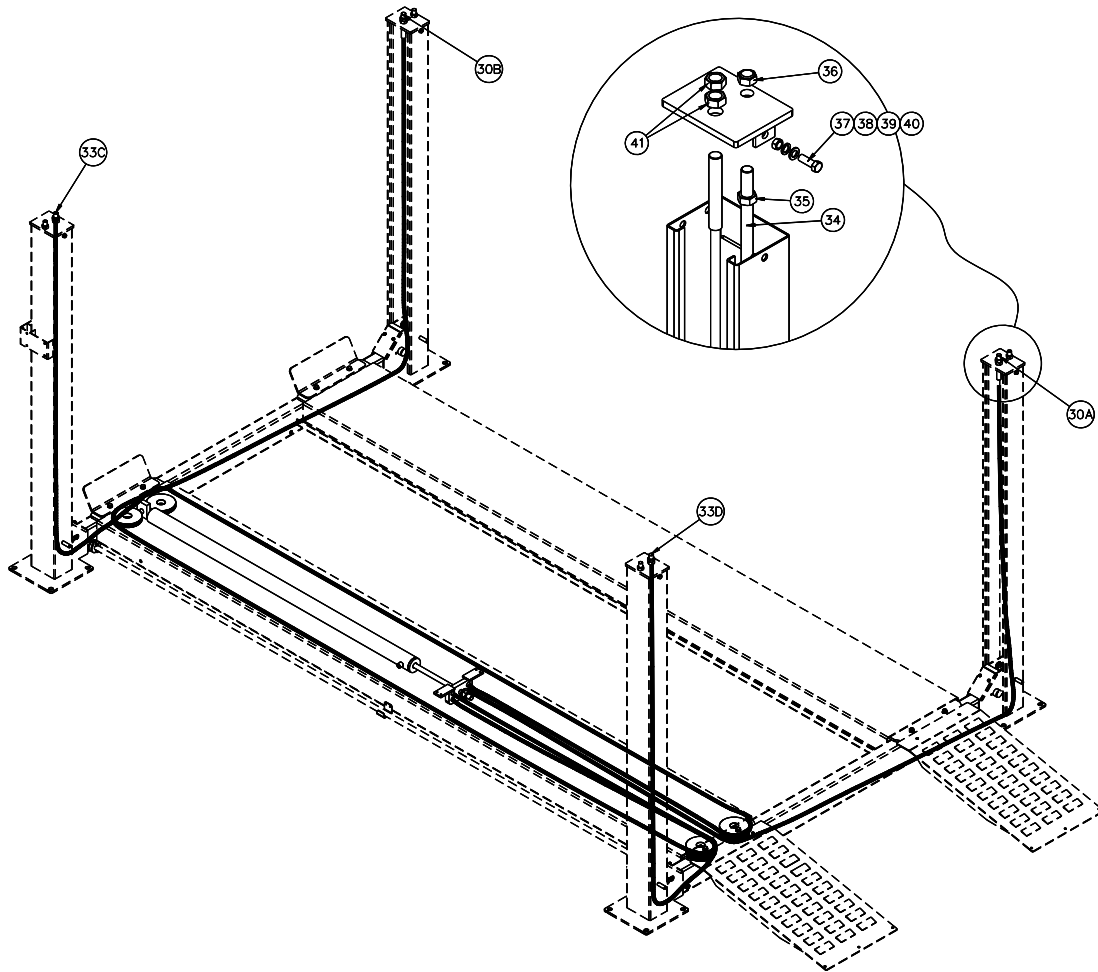
ITEM #	PART #	QTY/LIFT	DESCRIPTION
1	TCS4-08-01-00A	1	IDLER RUNWAY WELD
2	TCS4-07-01-00A	1	POWER RUNWAY WELD
3	TCS4-01-00	1	POWER COLUMN WELD
4	TCS4-02-00	3	IDLER COLUMN WELD
5	TCS4-09-00B	2	ENTRANCE RAMPS
6	AB-7816-1	1	POWER UNIT, 115v, SINGLE PHASE, 50/60Hz
	31368-19	1	POWER UNIT, 220v, SINGLE PHASE, 60Hz
7	X10-048	4	M8 NUT
8	MR6-007	4	M8 x 20mm Lg. HEX HD CAP SCREW
9	TCS4-13	2	9/16 O-RING x M14x1.5 90 DEGREE HYD. FITTING
10	TCS4-15	1	HOSE – RETURN (91")
11	JSZ5-5-10-04	1	HOSE – SUPPLY (67")
12	TCS4-07-08	1	HOSE – SHORT RETURN
13	JSZ5-5-10-03	1	HOSE - HYDRAULIC CYLINDER
14	TCS4-07-07	1	STRAIGHT HYD. FITTING
15	TCS4-03-00	1	HYDRAULIC CYLINDER ASSEMBLY
16	JSZ5-5-10-06	2	M14x1.5 BULKHEAD NUT
17	JSZ5-5-10-05	2	M14 BULKHEAD FITTING
18	B40082	1	CLEVIS PIN
19	B40126	1	1/8 x 1½" Lg. COTTER PIN
20	TCS4-07-06	1	MECHANICAL LOCK BAR HOLDER
21	VS10-10-25	2	M8 x 12mm Lg. PHILLIPS PAN HEAD SCREW
22	TCS4-07-05-00	1	CABLE PULL BAR
23	JSZ5-5-03-03-03	2	CABLE PULL BAR SLIDE BLOCKS
24	Q4P09-001	4	M6 x 20mm Lg. COUNTER SUNK SCREWS
25	Q4P09-002	1	M24 NYLON LOCK NUT
26	Q4P09-003	1	M24 WASHER
27	B40083	8	M12 x 35mm Lg. HEX FLG. HD. CAP SCREW
28	X10-039	8	M12 LOCK WASHER
29	X10-038	8	M12 WASHER
30	B40266	2	WHEEL STOP
31	TCS4-12-00	2	REMOVABLE WHEEL STOP
32	JSJ3-10-05	1	3/8-18 NPT x M14x1.5 90 DEGREE HYD. FITTING

Replace all worn or broken parts with genuine **Quality Lifts Inc.** parts.
Contact your local Quality Lifts Parts Distributor for pricing and availability.
(Call Quality Lifts Inc. (502) 583-5438 for the Parts Distributor in your area)

Model Q4P09
Installation, Operation and Maintenance

PARTS BREAKDOWN (continued)

Fig B. Cables

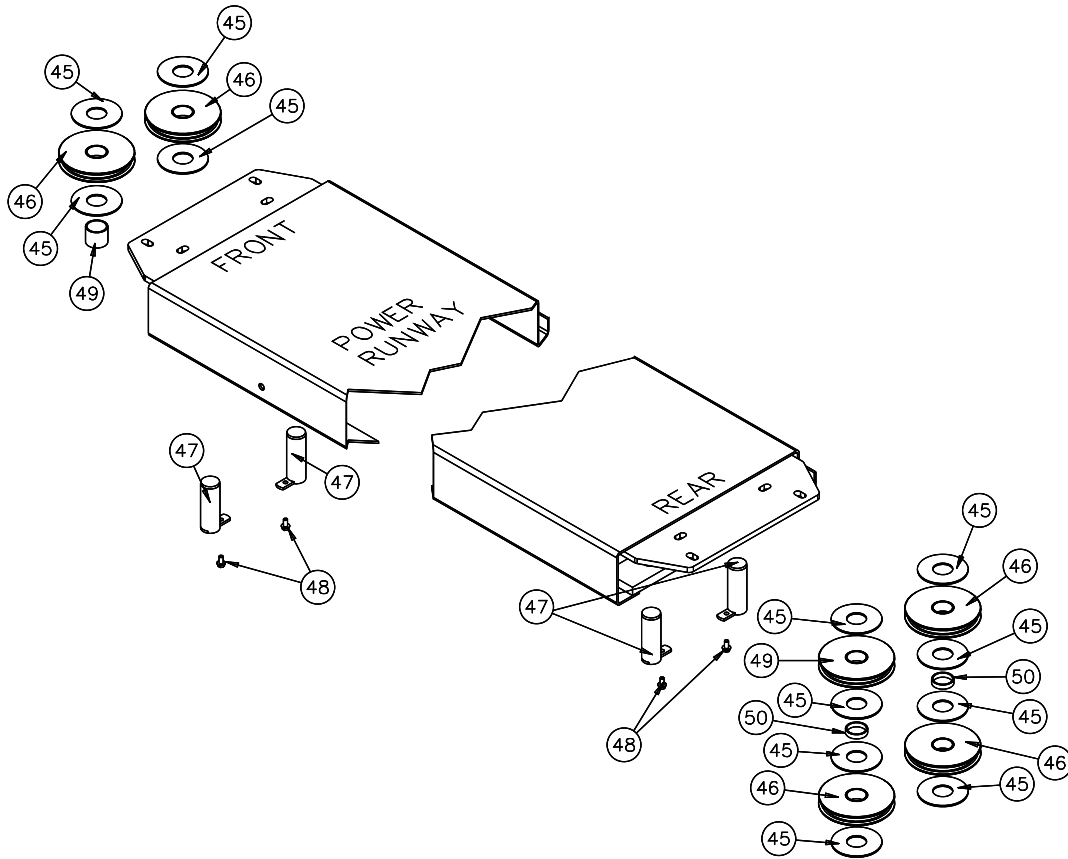


ITEM #	PART #	QTY/LIFT	DESCRIPTION
33A	TCS4-11-02	1	RIGHT REAR CABLE (175½")
33B	TCS4-11-04		RIGHT FRONT CABLE (354")
33C	TCS4-11-03		LEFT FRONT CABLE (296½")
33D	TCS4-11-01		LEFT REAR CABLE (118")
34	TCS4-01-03-00	4	LOCK LADDER
35	MR6-005	4	M20 NUT
36	Q4P09-004	4	M20 LOCK NUT
37	VS10-40-17	8	M12 x 35mm Lg. HEX FLG. HD. CAP SCREW
38	X10-038	8	M12 WASHER
39	X10-039	8	M12 LOCK WASHER
40	X10-040	8	M12 NUT
41	Q4P09-010	8	M22x2.5 NUT

Replace all worn or broken parts with genuine **Quality Lifts Inc.** parts.
Contact your local Quality Lifts Parts Distributor for pricing and availability.
(Call Quality Lifts Inc. (502) 583-5438 for the Parts Distributor in your area)

PARTS BREAKDOWN (continued)

Fig C. Runway Sheaves

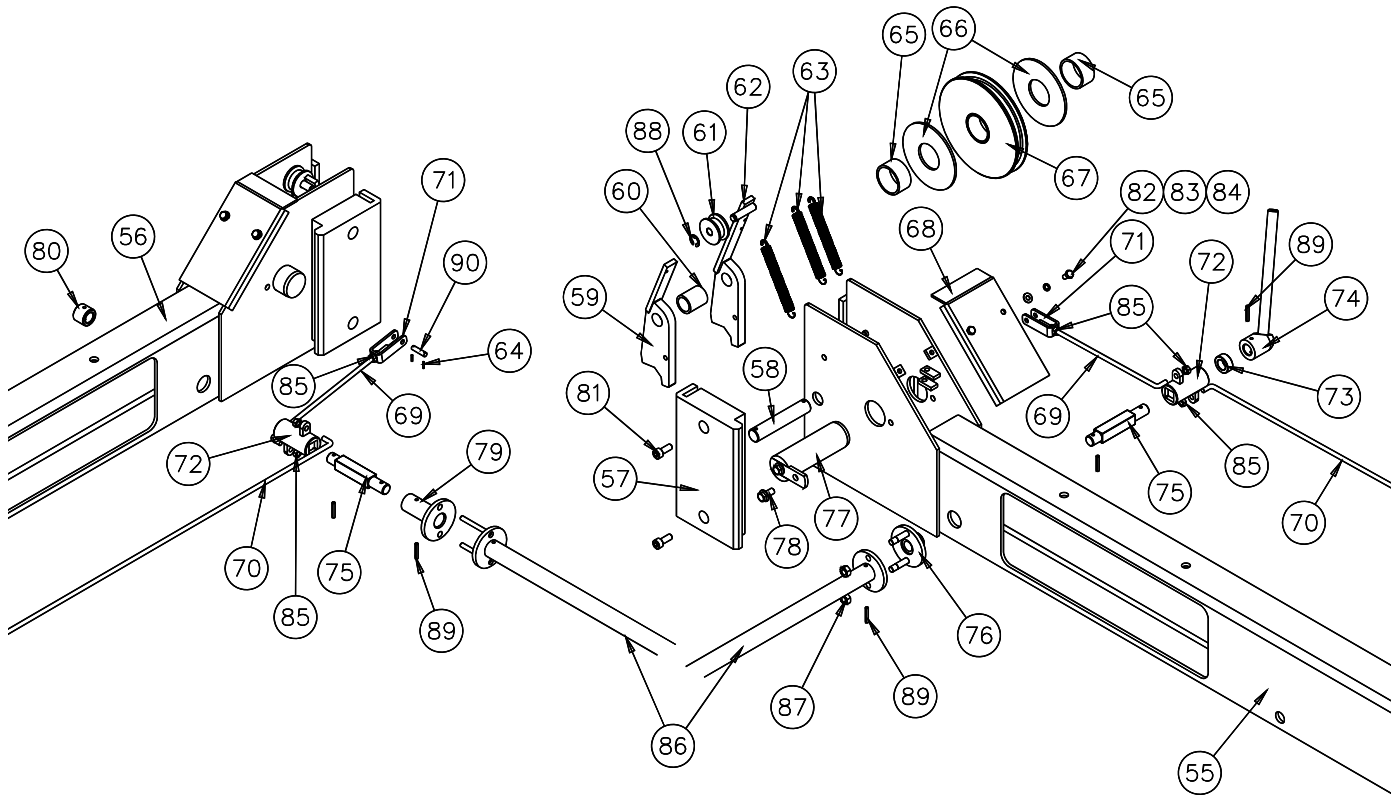


ITEM #	PART #	QTY/LIFT	DESCRIPTION
45	B40053	12	1/8" THICK BEARING
46	TCS4-04-03-00	6	SHEAVE ASSEMBLY
47	TCS4-07-04-00	4	SHEAVE PIN ASSEMBLY (RUNWAY)
48	B31188	4	M8 x 16mm Lg. HEX LOCKING FLG. HD. CAP SCREW
49	TCS4-07-03	1	RUNWAY SHEAVE SPACER - TALL
50	TCS4-07-02	2	RUNWAY SHEAVE SPACER - SHORT

Replace all worn or broken parts with genuine **Quality Lifts Inc.** parts.
 Contact your local Quality Lifts Parts Distributor for pricing and availability.
(Call Quality Lifts Inc. (502) 583-5438 for the Parts Distributor in your area)

PARTS BREAKDOWN (continued)

Fig D. Cross Beams



Model Q4P09
Installation, Operation and Maintenance

ITEM #	PART #	QTY/LIFT	DESCRIPTION
55	TCS4-04-01-00A	1	FRONT CROSSBEAM WELD
56	TCS4-05-01-00A	1	REAR CROSSBEAM WELD
57	TCS4-04-02	8	SLIDE BLOCK
58	B40127	4	LOCK PIVOT PIN
59	TCS4-04-11-00	4	PRIMARY LOCK PAWL
60	B40132	4	SPACER BUSHING
61	JSZ5-5-02-05	4	ROLLER
62	B40134	4	SLACK CABLE LATCH
63	JSZE-5-02-09	12	EXTENSION SPRINGS
64	Q4P09-005	8	Ø6mm x 10mm Lg. ROLL PIN
65	B40438-X	8	SHEAVE SPACER BUSHING
66	B40053	8	1/8" THICK BEARING
67	TCS4-04-03-00	4	SHEAVE ASSEMBLY
68	TCS4-04-14	4	SHEAVE GUARD
69	TCS4-04-08	2	MECHANICAL LOCK ROD – SHORT
70	TCS4-04-09	2	MECHANICAL LOCK ROD – LONG
71	TCS4-04-06	4	LOCK ROD CLEVIS
72	TCS4-04-07-00A	2	MECHANICAL LOCK COUPLER
73	TCS4-04-05	1	LOCK SPACER
74	TCS4-04-04-00A	1	MECHANICAL LOCK HANDLE
75	TCS4-04-12	2	LOCK COUPLER PIVOT PIN
76	TCS4-04-10-00	1	FLANGE COUPLING – MALE
77	B40116	4	SHEAVE PIN ASSEMBLY (CROSSBEAM)
78	B31188	4	M8 x 16mm Lg. HEX LOCKING FLG. HD. CAP SCREW
79	TCS4-05-10-00	1	FLANGE COUPLING – FEMALE
80	TCS4-05-11	1	RETAINER SLEEVE
81	Q4P09-006	16	M8 x 20mm Lg. SOCKET HEAD CAP SCREW
82	Q4P09-007	8	M6 x 12mm Lg. CAP SCREW
83	68004-7	8	M6 LOCK WASHER
84	X10-032	8	M6 WASHER
85	B40467	12	M6 NUT
86	TCS4-10-00	1	MECHANICAL LOCK BAR
87	X10-048	2	M8 NUT
88	Q4P09-008	4	Ø10mm SNAP RING
89	Q4P09-009	4	Ø4mm x 24mm Lg. ROLL PIN
90	B2211	4	Ø6mm x 30mm Lg. ROLL PIN

Replace all worn or broken parts with genuine **Quality Lifts Inc.** parts.
Contact your local Quality Lifts Parts Distributor for pricing and availability.
(Call Quality Lifts Inc. (502) 583-5438 for the Parts Distributor in your area)