



Prices effective July 5, 2023

Published July 2023

# Cosm<sup>®</sup> Chairs

HermanMiller list prices shown are in USD. For HermanMiller Canadian prices, multiply the USD list price by a factor of 1.20---effective July 2023.

<b>Introduction</b>	<b>page 2</b>
<b>Cosm<sup>®</sup> Chairs</b>	<b>3</b>
Work Chairs	5
Work Stools	15
Arm Kit	19
<b>Indices</b>	<b>21</b>
By Name	21
By Number	23
<b>Appendices</b>	
20-Day or Less/Assigned Lead-Time Order Information	
Casters and Glides	
Proprietary Textiles Application Chart-Seating	
Proprietary Textile Colors-Seating	
<b>For the latest materials information, refer to the Materials pages on HermanMiller.com.</b>	

# Introduction

## A Note on the Organization of This Book

There are a few signals that will help you understand the organization of this book. Once you know them, you should be able to find your way around easily.

### Like a newspaper, this book is formatted with columns of text and illustrations that run vertically.

Information wraps from one column to the next and continues for as many pages as it needs to.

### Black bars are clues.

A black bar at the top of a page signals the start of information about a product.

This information is divided into two sections, each signaled by a black bar. Product Information includes a description, additional notes, and dimensional drawings. Specification Information, which always begins at the top of a column, includes a series of steps. Each step represents a decision you need to make in order to complete your product number. Steps must be followed sequentially. The number of pages needed to complete information on a product varies; some will be complete in one page; others may fill three or four pages. Just continue going through the steps until you run into the next product, signaled by the black bar at the top of the page.

Black tabs running along the outside edge of the page help you locate what section you are in or what section you want to go to. You can thumb forwards or backwards to find a section; tabs and text appear on both sides of the page.

The additional pages in the back of the book include the appendices and indices. They are signaled by a long black bar running along the outside edge of the page.

### The index is presented two ways.

The first index is in alphabetical order by product name. It can be helpful if you are new to the products and numbering scheme or if you are looking for a type of product, such as work chair or round table.

The second index is by product number. It lists, in alphanumeric order, the base product number, typically a five-digit number.

## General Information

This book is effective July 5, 2023, subject to change without notice. Products may be purchased from authorized Herman Miller dealers who will quote prices upon request. For more information about our products and services or to see a list of dealers, visit [www.HermanMiller.com](http://www.HermanMiller.com).


All prices are list prices. Additional services, such as planning services, design, storage, and installation, are not included and must be added to these prices when the additional services are requested.


Illustrations, specifications, and prices are based on the latest information at the time of publication. The right is reserved to make changes at any time without notice in prices, fabrics, finishes, materials, specifications, and models, and also to discontinue models and finishes.

Dimensions shown in the drawings are engineering drawing dimensions rounded up to the nearest  $\frac{1}{8}$ ". Product is shipped set up or knocked down. Products that include "Shipped knocked down" in the description require some assembly. If this statement does not appear in the description, the product is shipped assembled.

Service problems are normally handled by a Herman Miller authorized dealer. Where this cannot be accomplished on a local level, service problems should be referred to the Customer Care Representative for your region, Herman Miller, Inc., Zeeland, Michigan 49464.

### 20-Day or Less/Assigned Lead-Time Shipments

All products and options in this price book not designated by an Assigned Program icon  will ship in **20 business days or less** after being acknowledged by Herman Miller.

Products and options designated by an  are on the assigned lead-time program and may ship in 20 days, less than 20 days, or more than 20 days from order acknowledgement.

**Work Chairs**

**Work Stools**



# Cosm® Work Chair

FLC14  
FLC15  
FLC16



## Product Information

### Description

This work chair has sophisticated ergonomic design that instantly responds to your body, movement, and posture to provide natural balance and total support. It is available in various back heights, height-adjustment ranges, and arm options. The high back chair provides total back support including upper-thoracic support. Mid back chair provides support up to the scapular region, and low-back chair fosters collaboration and casual movements through the wrap top.

The Auto-Harmonic tilt is the first adjusting tilt from Herman Miller.

The tilt gives each sitter individual support and a balanced recline that lets the body naturally pivot at the ankles, knees and hips.

Any back height can be paired with any arm option. Arm options include no arms, a fixed nonadjustable arm, a height-adjustable arm, and the innovative leaf arm. Height-adjustable arm moves 4.4" vertically. Leaf arm is nonadjustable and supports your elbow while also clearing the work surface due to the angled arm position.

The chair has one hue from top to bottom—nightfall, glacier, or canyon. It is also available in graphite, carbon, and studio white. Any color of the Intercept suspension material can be paired with any frame color.

### Notes

Height-adjustable arms are only available on chair with graphite, carbon, or studio white frame.

For information on casters and glides, see Casters and Glides in appendices.

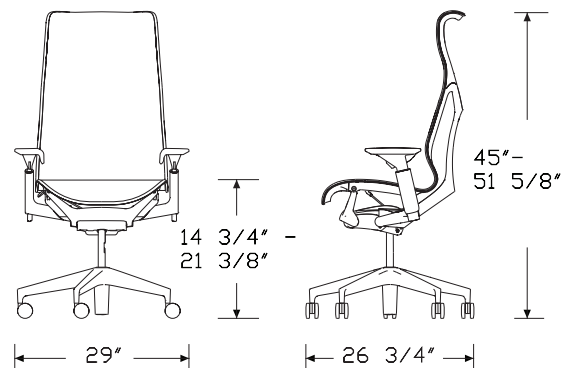
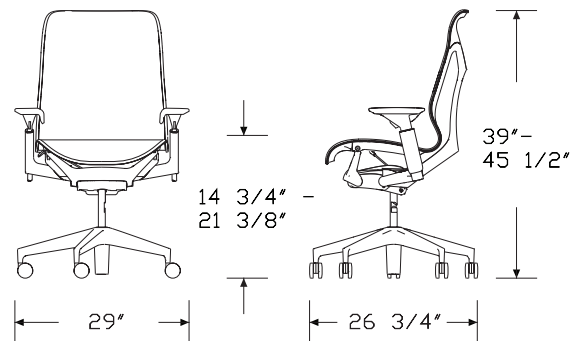
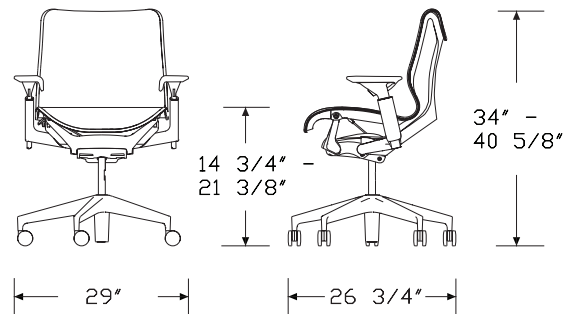
As with any material or textile, dye transfer may occur on seating surfaces, being more noticeable on lighter color expressions (for example: mineral on Aeron®, fog on Mirra® 2). If this is a concern, we recommend selecting a darker color expression on which dye transfer will be less noticeable. As a reminder, dye transfer is not covered under the Herman Miller warranty.

MicrobeCare™ is an antimicrobial coating that can be applied to a wide variety of Herman Miller Group surfaces to protect products from mold, mildew, algae, and bacteria that cause deterioration, discoloration, odors, and stains.

MicrobeCare™ is a US Environmental Protection Agency (EPA) registered nonpublic health antimicrobial.

MicrobeCare™ is applied to the major touchpoints, including the seat, backrest, arms, armrests, frame and adjustment controls.

## Dimensions



Specification Information		
Step 1.		
<b>FLC1</b>		
Step 2. Back Height		
<b>4</b>	low back height	+\$1545
<b>5</b>	mid back height	+\$1609
<b>6</b>	high back height	+\$1705
Step 3. Height Adjustment		
<b>2</b>	standard-height range	+\$0
<b>3</b>	high-height range	+\$0
Step 4. Tilt		
<b>S</b>	auto-harmonic tilt	+\$0
Step 5. Seat Depth		
<b>F</b>	fixed seat depth	+\$0
Step 6. Arms		
<b>N</b>	no arms	+\$0
<b>P</b>	fixed arms	+\$112
<b>H</b>	height-adjustable arms	+\$221
<b>J</b>	leaf arms	+\$271
Step 7. Frame Finish		
<b>G1</b>	graphite	+\$0
<b>CRB</b>	carbon	+\$55
<b>98</b>	studio white	+\$75
<b>MG1</b>	graphite with MicrobeCare™ <span style="border: 1px solid black; padding: 0 2px;">A</span>	+\$70
<b>MCR</b>	carbon with MicrobeCare™ <span style="border: 1px solid black; padding: 0 2px;">A</span>	+\$125
<b>M98</b>	studio white with MicrobeCare™ <span style="border: 1px solid black; padding: 0 2px;">A</span>	+\$145
Step 8. Chassis Finish		
<i>For graphite (G1) or graphite with MicrobeCare™ (MG1)</i>		
<b>G1</b>	graphite	+\$0
<b>L7</b>	silver alloy	+\$40
<i>For carbon (CRB) or carbon with MicrobeCare™ (MCR)</i>		
<b>CRB</b>	carbon	+\$0
<b>L7</b>	silver alloy	+\$40
<i>For studio white (98) or studio white with MicrobeCare™ (M98)</i>		
<b>98</b>	studio white	+\$0
<b>L7</b>	silver alloy	+\$40

Step 9. Base Finish		
<i>For graphite (G1)</i>		
<b>G1</b>	graphite	+\$0
<b>5Y</b>	semi-polished	+\$160
<i>For silver alloy (L7)</i>		
<b>5Y</b>	semi-polished	+\$160
<i>For carbon (CRB)</i>		
<b>CRB</b>	carbon	+\$0
<b>5Y</b>	semi-polished	+\$160
<i>For studio white (98)</i>		
<b>VPR</b>	mineral	+\$0
<b>5Y</b>	semi-polished	+\$160
Step 10. Casters/Glides		
<b>BKS</b>	2½ inch hard caster, black yoke, quiet roll technology, carpet only	+\$0
<b>OC</b>	2½ inch, medium roll resistance, hard floor or carpet, quiet roll technology	+\$55
<b>SC8</b>	2½ inch, hard floor or carpet, quiet roll technology	+\$50
<b>GF</b>	2½" glide, hard floors or carpet	+\$25
Step 11. Armpad Finish		
<i>For height-adjustable arms (H)</i>		
<b>BK</b>	black	+\$0
<b>CRB</b>	carbon	+\$0
<b>VPR</b>	mineral	+\$0
Step 12. Intercept Suspension Material		
Price Category 1		+\$0

Cosm® Work Chair, Ready to Assemble

FLC24  
FLC25  
FLC26



**Product Information**

**Description**

This ready to assemble work chair has sophisticated ergonomic design that instantly responds to your body, movement, and posture to provide natural balance and total support. It is available in various back heights, height-adjustment ranges, and arm options. The high back chair provides total back support including upper-thoracic support. Mid back chair provides support up to the scapular region, and low-back chair fosters collaboration and casual movements through the wrap top.

The Auto-Harmonic tilt is the first adjusting tilt from Herman Miller.

The tilt gives each sitter individual support and a balanced recline that lets the body naturally pivot at the ankles, knees and hips.

Any back height can be paired with any arm option. Arm options include no arms, a fixed nonadjustable arm, and a height-adjustable arm. Height-adjustable arm moves 4.4" vertically.

The chair has one hue from top to bottom—nightfall, glacier, or canyon. It is also available in graphite, carbon, and studio white. Any color of the Intercept suspension material can be paired with any frame color.

**Notes**

Height-adjustable arms are only available on chair with graphite, carbon, or studio white frame.

For information on casters and glides, see Casters and Glides in appendices.

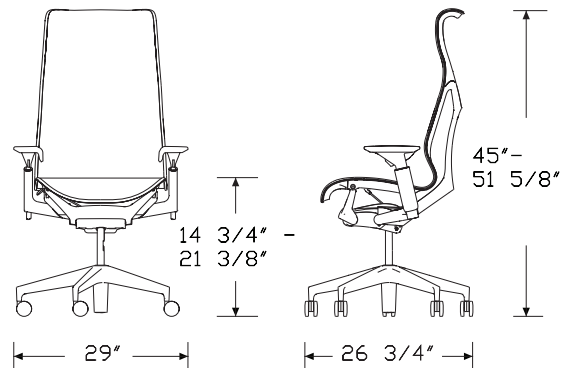
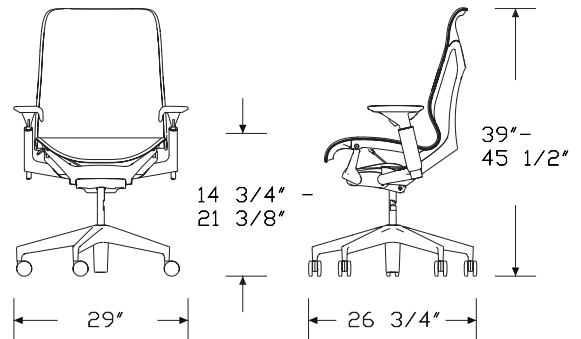
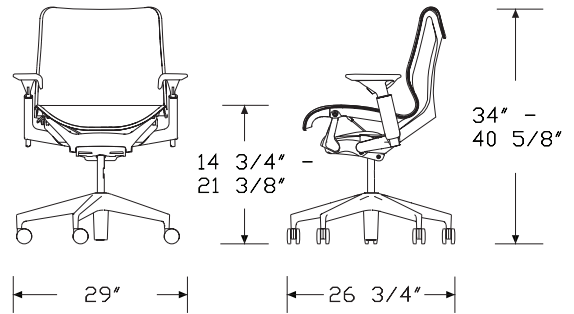
As with any material or textile, dye transfer may occur on seating surfaces, being more noticeable on lighter color expressions (for example: mineral on Aeron®, fog on Mirra® 2). If this is a concern, we recommend selecting a darker color expression on which dye transfer will be less noticeable. As a reminder, dye transfer is not covered under the Herman Miller warranty.

MicrobeCare™ is an antimicrobial coating that can be applied to a wide variety of Herman Miller Group surfaces to protect products from mold, mildew, algae, and bacteria that cause deterioration, discoloration, odors, and stains.

MicrobeCare™ is a US Environmental Protection Agency (EPA) registered nonpublic health antimicrobial.

MicrobeCare™ is applied to the major touchpoints, including the seat, backrest, arms, armrests, frame and adjustment controls.

**Dimensions**



# Cosm® Work Chair, Ready to Assemble *continued*

## Specification Information

### Step 1.

**FLC2**

### Step 2. Back Height

<b>4</b>	low back height	+\$1545
<b>5</b>	mid back height	+\$1609
<b>6</b>	high back height	+\$1705

### Step 3. Height Adjustment

<b>2</b>	standard-height range	+\$0
<b>3</b>	high-height range	+\$0

### Step 4. Tilt

<b>S</b>	auto-harmonic tilt	+\$0
----------	--------------------	------

### Step 5. Seat Depth

<b>F</b>	fixed seat depth	+\$0
----------	------------------	------

### Step 6. Arms

<b>N</b>	no arms	+\$0
<b>P</b>	fixed arms	+\$112
<b>H</b>	height-adjustable arms	+\$221

### Step 7. Frame Finish

<b>G1</b>	graphite	+\$0
<b>CRB</b>	carbon	+\$55
<b>98</b>	studio white	+\$75
<b>MG1</b>	graphite with MicrobeCare™ <span style="border: 1px solid black; padding: 0 2px;">A</span>	+\$70
<b>MCR</b>	carbon with MicrobeCare™ <span style="border: 1px solid black; padding: 0 2px;">A</span>	+\$125
<b>M98</b>	studio white with MicrobeCare™ <span style="border: 1px solid black; padding: 0 2px;">A</span>	+\$145

### Step 8. Chassis Finish

#### *For graphite (G1) or graphite with MicrobeCare™ (MG1)*

<b>G1</b>	graphite	+\$0
<b>L7</b>	silver alloy	+\$40

#### *For carbon (CRB) or carbon with MicrobeCare™ (MCR)*

<b>CRB</b>	carbon	+\$0
<b>L7</b>	silver alloy	+\$40

#### *For studio white (98) or studio white with MicrobeCare™ (M98)*

<b>98</b>	studio white	+\$0
<b>L7</b>	silver alloy	+\$40

### Step 9. Base Finish

#### *For graphite (G1)*

<b>G1</b>	graphite	+\$0
<b>5Y</b>	semi-polished	+\$160

#### *For silver alloy (L7)*

<b>5Y</b>	semi-polished	+\$160
-----------	---------------	--------

#### *For carbon (CRB)*

<b>CRB</b>	carbon	+\$0
<b>5Y</b>	semi-polished	+\$160

#### *For studio white (98)*

<b>VPR</b>	mineral	+\$0
<b>5Y</b>	semi-polished	+\$160

### Step 10. Casters/Glides

<b>BKS</b>	2½ inch hard caster, black yoke, quiet roll technology, carpet only	+\$0
<b>GF</b>	2½" glide, hard floors or carpet	+\$25
<b>SC8</b>	2½ inch, hard floor or carpet, quiet roll technology	+\$50
<b>OC</b>	2½ inch, medium roll resistance, hard floor or carpet, quiet roll technology	+\$55

### Step 11. Armpad Finish

#### *For height-adjustable arms (H)*

<b>BK</b>	black	+\$0
<b>CRB</b>	carbon	+\$0
<b>VPR</b>	mineral	+\$0

### Step 12. Intercept Suspension Material

Price Category 1	+\$0
------------------	------



# Cosm® Work Chair, Dipped in Color

FLC34  
FLC35  
FLC36



## Product Information

### Description

This work chair has sophisticated ergonomic design that instantly responds to your body, movement, and posture to provide natural balance and total support. It is available in various back heights, height-adjustment ranges, and arm options. The high back chair provides total back support including upper-thoracic support. Mid back chair provides support up to the scapular region, and low-back chair fosters collaboration and casual movements through the wrap top.

The Auto-Harmonic tilt is the first adjusting tilt from Herman Miller. The tilt gives each sitter individual support and a balanced recline that lets the body naturally pivot at the ankles, knees and hips.

Any back height can be paired with any arm option. Arm options include no arms, fixed nonadjustable arms, height-adjustable arms, and the innovative leaf arms. Height-adjustable arm moves 4.4" vertically. Leaf arm is nonadjustable and supports your elbow while also clearing the work surface due to the angled arm position.

The chair has one hue from top to bottom—nightfall, glacier, or canyon. It is also available in graphite, carbon, and mineral. Any color of the Intercept suspension material can be paired with any frame color.

### Notes

For information on casters and glides, see Casters and Glides in appendices.

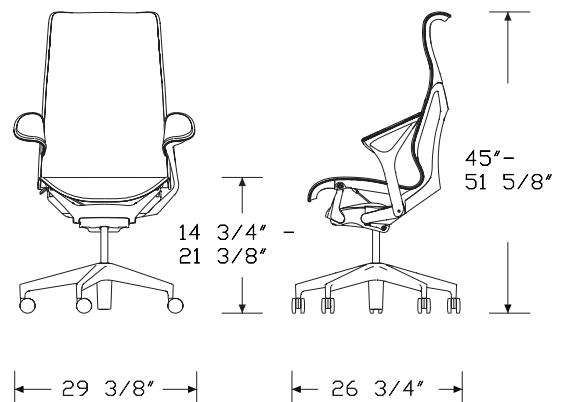
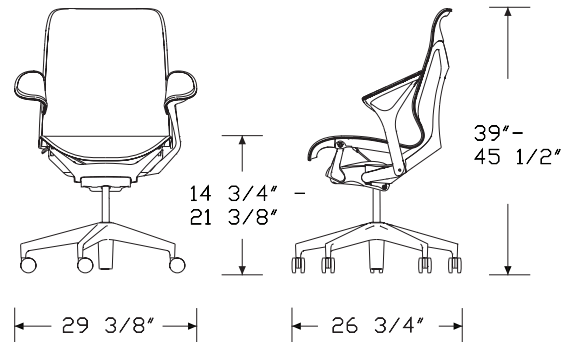
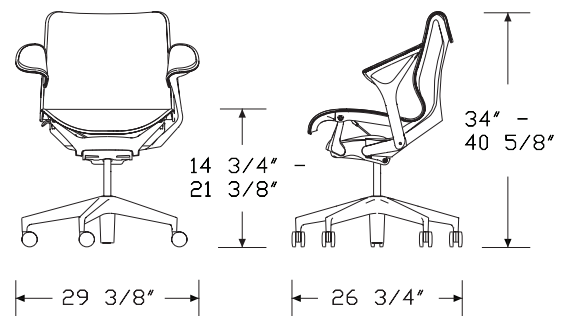
As with any material or textile, dye transfer may occur on seating surfaces, being more noticeable on lighter color expressions (for example: mineral on Aeron®, fog on Mirra® 2). If this is a concern, we recommend selecting a darker color expression on which dye transfer will be less noticeable. As a reminder, dye transfer is not covered under the Herman Miller warranty.

MicrobeCare™ is an antimicrobial coating that can be applied to a wide variety of Herman Miller Group surfaces to protect products from mold, mildew, algae, and bacteria that cause deterioration, discoloration, odors, and stains.

MicrobeCare™ is a US Environmental Protection Agency (EPA) registered nonpublic health antimicrobial.

MicrobeCare™ is applied to the major touchpoints, including the seat, backrest, arms, armrests, frame and adjustment controls.

## Dimensions



# Cosm® Work Chair, Dipped in Color *continued*

Specification Information		
Step 1.		
<b>FLC3</b>		
Step 2. Back Height		
<b>4</b>	low back height	+\$1800
<b>5</b>	mid back height	+\$1866
<b>6</b>	high back height	+\$1963
Step 3. Height Adjustment		
<b>2</b>	standard-height range	+\$0
<b>3</b>	high-height range	+\$0
Step 4. Tilt		
<b>S</b>	auto-harmonic tilt	+\$0
Step 5. Seat Depth		
<b>F</b>	fixed seat depth	+\$0
Step 6. Arms		
<b>N</b>	no arms	+\$0
<b>P</b>	fixed arms	+\$112
<b>J</b>	leaf arms	+\$271
<b>H</b>	height-adjustable arms	+\$221
Step 7. Full Color		
<b>DN2</b>	nightfall	+\$0
<b>DB3</b>	glacier	+\$0
<b>DR1</b>	canyon	+\$0
<b>MN2</b>	nightfall with MicrobeCare™ <span style="border: 1px solid black; padding: 0 2px;">A</span>	+\$70
<b>MB3</b>	glacier with MicrobeCare™ <span style="border: 1px solid black; padding: 0 2px;">A</span>	+\$70
<b>MR1</b>	canyon with MicrobeCare™ <span style="border: 1px solid black; padding: 0 2px;">A</span>	+\$70
Step 8. Chassis Finish		
<i>For nightfall (DN2) or nightfall with MicrobeCare™ (MN2)</i>		
<b>DN2</b>	nightfall	+\$0
<i>For glacier (DB3) or glacier with MicrobeCare™ (MB3)</i>		
<b>DB3</b>	glacier	+\$0
<i>For canyon (DR1) or canyon with MicrobeCare™ (MR1)</i>		
<b>DR1</b>	canyon	+\$0

Step 9. Base Finish		
<i>For nightfall (DN2)</i>		
<b>DN2</b>	nightfall	+\$0
<b>5Y</b>	semi-polished	+\$160
<i>For glacier (DB3)</i>		
<b>DB3</b>	glacier	+\$0
<b>5Y</b>	semi-polished	+\$160
<i>For canyon (DR1)</i>		
<b>5Y</b>	semi-polished	+\$160
<b>DR1</b>	canyon	+\$0
Step 10. Casters/Glides		
<i>For nightfall (DN2) or semi-polished (5Y)</i>		
<b>BKS</b>	2½ inch hard caster, black yoke, quiet roll technology, carpet only	-\$55
<b>GF</b>	2½" glide, hard floors or carpet	-\$30
<b>SC8</b>	2½ inch, hard floor or carpet, quiet roll technology	-\$5
<b>OC</b>	2½ inch, medium roll resistance, hard floor or carpet, quiet roll technology	+\$0
<b>O2N</b>	2½ inch, hard floor or carpet, quiet roll technology, nightfall	+\$0
<i>For glacier (DB3) or semi-polished (5Y)</i>		
<b>BKS</b>	2½ inch hard caster, black yoke, quiet roll technology, carpet only	-\$55
<b>GF</b>	2½" glide, hard floors or carpet	-\$30
<b>SC8</b>	2½ inch, hard floor or carpet, quiet roll technology	-\$5
<b>OC</b>	2½ inch, medium roll resistance, hard floor or carpet, quiet roll technology	+\$0
<b>O2B</b>	2½ inch, hard floor or carpet, quiet roll technology, glacier	+\$0
<i>For semi-polished (5Y) or canyon (DR1)</i>		
<b>BKS</b>	2½ inch hard caster, black yoke, quiet roll technology, carpet only	-\$55
<b>GF</b>	2½" glide, hard floors or carpet	-\$30
<b>SC8</b>	2½ inch, hard floor or carpet, quiet roll technology	-\$5
<b>OC</b>	2½ inch, medium roll resistance, hard floor or carpet, quiet roll technology	+\$0
<b>O2R</b>	2½ inch, hard floor or carpet, quiet roll technology, canyon	+\$0

Cosm® Work Chair, Dipped in  
Color *continued*

---

Step 11. Intercept Suspension Material	
Price Category 1	+\$0

Cosm® Work Chair, Dipped in Color, Ready to Assemble

FLC44  
FLC45  
FLC46



Cosm® Work Chairs

**Product Information**

**Description**

This ready to assemble work chair has sophisticated ergonomic design that instantly responds to your body, movement, and posture to provide natural balance and total support. It is available in various back heights, height-adjustment ranges, and arm options. The high back chair provides total back support including upper-thoracic support. Mid back chair provides support up to the scapular region, and low-back chair fosters collaboration and casual movements through the wrap top.

The Auto-Harmonic tilt is the first adjusting tilt from Herman Miller. The tilt gives each sitter individual support and a balanced recline that lets the body naturally pivot at the ankles, knees and hips. Any back height can be paired with any arm option. Arm options include no arms, fixed nonadjustable arms, and height-adjustable arms.

The chair has one hue from top to bottom—nightfall, glacier, or canyon. It is also available in graphite, carbon, and mineral. Any color of the Intercept suspension material can be paired with any frame color.

**Notes**

For information on casters and glides, see Casters and Glides in appendices.

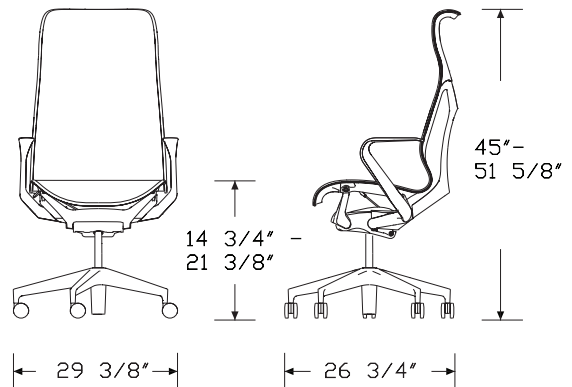
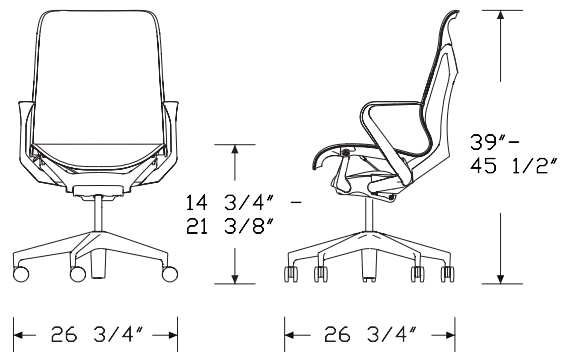
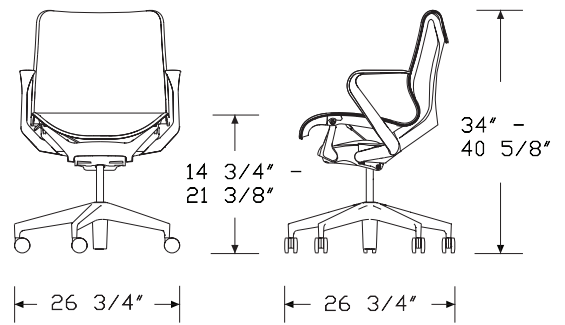
As with any material or textile, dye transfer may occur on seating surfaces, being more noticeable on lighter color expressions (for example: mineral on Aeron®, fog on Mirra® 2). If this is a concern, we recommend selecting a darker color expression on which dye transfer will be less noticeable. As a reminder, dye transfer is not covered under the Herman Miller warranty.

MicrobeCare™ is an antimicrobial coating that can be applied to a wide variety of Herman Miller Group surfaces to protect products from mold, mildew, algae, and bacteria that cause deterioration, discoloration, odors, and stains.

MicrobeCare™ is a US Environmental Protection Agency (EPA) registered nonpublic health antimicrobial.

MicrobeCare™ is applied to the major touchpoints, including the seat, backrest, arms, armrests, frame and adjustment controls.

**Dimensions**



Cosm® Work Chair, Dipped in Color, Ready to Assemble *continued*

**Specification Information**

Step 1.

**FLC4**

Step 2. Back Height

<b>4</b>	low back height	+\$1800
<b>5</b>	mid back height	+\$1866
<b>6</b>	high back height	+\$1963

Step 3. Height Adjustment

<b>2</b>	standard-height range	+\$0
<b>3</b>	high-height range	+\$0

Step 4. Tilt

<b>S</b>	auto-harmonic tilt	+\$0
----------	--------------------	------

Step 5. Seat Depth

<b>F</b>	fixed seat depth	+\$0
----------	------------------	------

Step 6. Arms

<b>N</b>	no arms	+\$0
<b>P</b>	fixed arms	+\$112
<b>H</b>	height-adjustable arms	+\$221

Step 7. Full Color

<b>DN2</b>	nightfall	+\$0
<b>DB3</b>	glacier	+\$0
<b>DR1</b>	canyon	+\$0
<b>MN2</b>	nightfall with MicrobeCare™ <span style="border: 1px solid black; padding: 0 2px;">A</span>	+\$70
<b>MB3</b>	glacier with MicrobeCare™ <span style="border: 1px solid black; padding: 0 2px;">A</span>	+\$70
<b>MR1</b>	canyon with MicrobeCare™ <span style="border: 1px solid black; padding: 0 2px;">A</span>	+\$70

Step 8. Chassis Finish

*For nightfall (DN2) or nightfall with MicrobeCare™ (MN2)*

<b>DN2</b>	nightfall	+\$0
------------	-----------	------

*For glacier (DB3) or glacier with MicrobeCare™ (MB3)*

<b>DB3</b>	glacier	+\$0
------------	---------	------

*For canyon (DR1) or canyon with MicrobeCare™ (MR1)*

<b>DR1</b>	canyon	+\$0
------------	--------	------

Step 9. Base Finish

*For nightfall (DN2)*

<b>DN2</b>	nightfall	+\$0
<b>5Y</b>	semi-polished	+\$160

*For glacier (DB3)*

<b>DB3</b>	glacier	+\$0
<b>5Y</b>	semi-polished	+\$160

*For canyon (DR1)*

<b>DR1</b>	canyon	+\$0
<b>5Y</b>	semi-polished	+\$160

Step 10. Casters/Glides

*For nightfall (DN2) or semi-polished (5Y)*

<b>BKS</b>	2½ inch hard caster, black yoke, quiet roll technology, carpet only	-\$55
<b>GF</b>	2½" glide, hard floors or carpet	-\$30
<b>SC8</b>	2½ inch, hard floor or carpet, quiet roll technology	-\$5
<b>OC</b>	2½ inch, medium roll resistance, hard floor or carpet, quiet roll technology	+\$0
<b>O2N</b>	2½ inch, hard floor or carpet, quiet roll technology, nightfall	+\$0

*For glacier (DB3) or semi-polished (5Y)*

<b>BKS</b>	2½ inch hard caster, black yoke, quiet roll technology, carpet only	-\$55
<b>GF</b>	2½" glide, hard floors or carpet	-\$30
<b>SC8</b>	2½ inch, hard floor or carpet, quiet roll technology	-\$5
<b>OC</b>	2½ inch, medium roll resistance, hard floor or carpet, quiet roll technology	+\$0
<b>O2B</b>	2½ inch, hard floor or carpet, quiet roll technology, glacier	+\$0

*For canyon (DR1) or semi-polished (5Y)*

<b>BKS</b>	2½ inch hard caster, black yoke, quiet roll technology, carpet only	-\$55
<b>GF</b>	2½" glide, hard floors or carpet	-\$30
<b>SC8</b>	2½ inch, hard floor or carpet, quiet roll technology	-\$5
<b>OC</b>	2½ inch, medium roll resistance, hard floor or carpet, quiet roll technology	+\$0
<b>O2R</b>	2½ inch, hard floor or carpet, quiet roll technology, canyon	+\$0

Cosm® Work Chair, Dipped in  
Color, Ready to Assemble *continued*

Cosm® Work Chairs

---

Step 11. Intercept Suspension Material	
Price Category 1	+\$0



**Product Information**

**Description**

This work stool has sophisticated ergonomic design that instantly responds to your body, movement, and posture to provide natural balance and total support. It is available in various back heights, height-adjustment ranges, and arm options. Mid back stool provides support up to the scapular region, and low-back stool fosters collaboration and casual movements through the wrap top.

The Auto-Harmonic tilt is the first adjusting tilt from Herman Miller.

The tilt gives each sitter individual support and a balanced recline that lets the body naturally pivot at the ankles, knees and hips.

Any back height can be paired with any arm option. Arm options include no arms, a fixed nonadjustable arm, a height-adjustable arm, and the innovative leaf arm. Height-adjustable arm moves 4.4" vertically. Leaf arm is nonadjustable and supports your elbow while also clearing the work surface due to the angled arm position.

The stool has one hue from top to bottom—nightfall, glacier, or canyon. It is also available in graphite, carbon, and studio white. Any color of the Intercept suspension material can be paired with any frame color.

**Notes**

Height-adjustable arms are only available on stool with graphite, carbon, or studio white frame.

20"-diameter footrest adjusts 4 1/2" in height. Footrest available in trivalent chrome. Column and ring are black.

For information on casters and glides, see Casters and Glides in appendices.

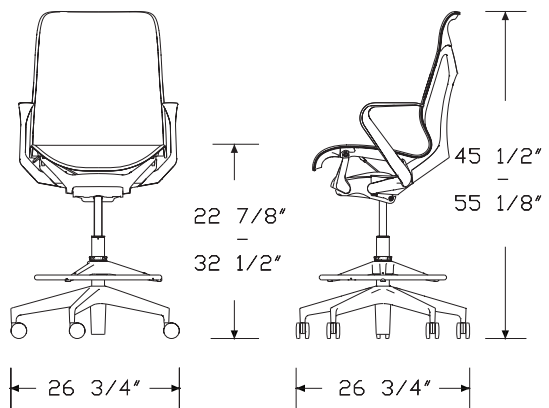
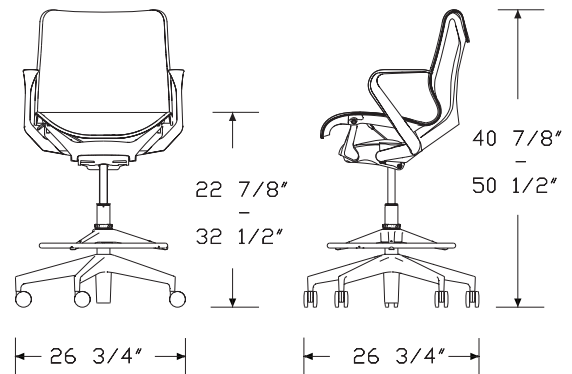
As with any material or textile, dye transfer may occur on seating surfaces, being more noticeable on lighter color expressions (for example: mineral on Aeron®, fog on Mirra® 2). If this is a concern, we recommend selecting a darker color expression on which dye transfer will be less noticeable. As a reminder, dye transfer is not covered under the Herman Miller warranty.

MicrobeCare™ is an antimicrobial coating that can be applied to a wide variety of Herman Miller Group surfaces to protect products from mold, mildew, algae, and bacteria that cause deterioration, discoloration, odors, and stains.

MicrobeCare™ is a US Environmental Protection Agency (EPA) registered nonpublic health antimicrobial.

MicrobeCare™ is applied to the major touchpoints, including the seat, backrest, arms, armrests, frame and adjustment controls.

**Dimensions**



Specification Information		
Step 1.		
<b>FLC7</b>		
Step 2. Back Height		
<b>4</b>	low back height	+\$1891
<b>5</b>	mid back height	+\$1954
Step 3. Height Adjustment		
<b>5</b>	stool extended height range	+\$0
Step 4. Tilt		
<b>S</b>	auto-harmonic tilt	+\$0
Step 5. Seat Depth		
<b>F</b>	fixed seat depth	+\$0
Step 6. Arms		
<b>N</b>	no arms	+\$0
<b>P</b>	fixed arms	+\$112
<b>H</b>	height-adjustable arms	+\$221
<b>J</b>	leaf arms	+\$271
Step 7. Frame Finish		
<b>G1</b>	graphite	+\$0
<b>CRB</b>	carbon	+\$55
<b>98</b>	studio white	+\$75
<b>MG1</b>	graphite with MicrobeCare™ <span style="border: 1px solid black; padding: 0 2px;">A</span>	+\$70
<b>MCR</b>	carbon with MicrobeCare™ <span style="border: 1px solid black; padding: 0 2px;">A</span>	+\$125
<b>M98</b>	studio white with MicrobeCare™ <span style="border: 1px solid black; padding: 0 2px;">A</span>	+\$145
Step 8. Chassis Finish		
<i>For graphite (G1) or graphite with MicrobeCare™ (MG1)</i>		
<b>G1</b>	graphite	+\$0
<b>L7</b>	silver alloy	+\$40
<i>For carbon (CRB) or carbon with MicrobeCare™ (MCR)</i>		
<b>CRB</b>	carbon	+\$0
<b>L7</b>	silver alloy	+\$40
<i>For studio white (98) or studio white with MicrobeCare™ (M98)</i>		
<b>98</b>	studio white	+\$0
<b>L7</b>	silver alloy	+\$40

Step 9. Base Finish		
<i>For graphite (G1)</i>		
<b>G1</b>	graphite	+\$0
<b>5Y</b>	semi-polished	+\$160
<i>For silver alloy (L7)</i>		
<b>5Y</b>	semi-polished	+\$160
<i>For carbon (CRB)</i>		
<b>CRB</b>	carbon	+\$0
<b>5Y</b>	semi-polished	+\$160
<i>For studio white (98)</i>		
<b>VPR</b>	mineral	+\$0
<b>5Y</b>	semi-polished	+\$160
Step 10. Casters/Glides		
<b>BKS</b>	2½ inch hard caster, black yoke, quiet roll technology, carpet only	+\$0
<b>OC</b>	2½ inch, medium roll resistance, hard floor or carpet, quiet roll technology	+\$55
<b>SC8</b>	2½ inch, hard floor or carpet, quiet roll technology	+\$50
<b>GF</b>	2½" glide, hard floors or carpet	+\$25
Step 11. Armpad Finish		
<i>For height-adjustable arms (H)</i>		
<b>BK</b>	black	+\$0
<b>CRB</b>	carbon	+\$0
<b>VPR</b>	mineral	+\$0
Step 12. Intercept Suspension Material		
Price Category 1		+\$0



Cosm® Work Stool, Dipped in Color

FLC84  
FLC85



**Product Information**

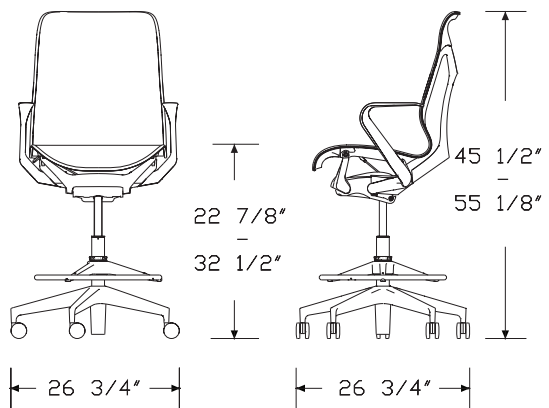
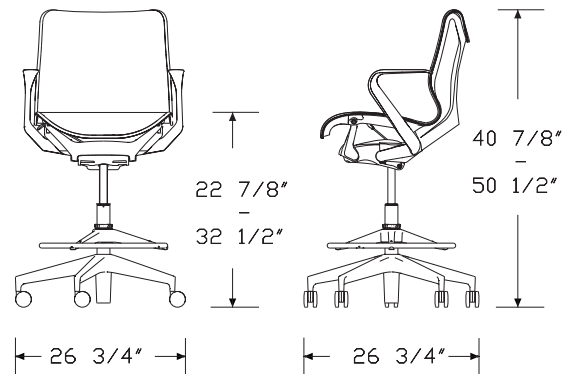
**Description**

This work stool has sophisticated ergonomic design that instantly responds to your body, movement, and posture to provide natural balance and total support. It is available in various back heights, height-adjustment ranges, and arm options. Mid back stool provides support up to the scapular region, and low-back stool fosters collaboration and casual movements through the wrap top. The Auto-Harmonic tilt is the first adjusting tilt from Herman Miller. The tilt gives each sitter individual support and a balanced recline that lets the body naturally pivot at the ankles, knees and hips. Any back height can be paired with any arm option. Arm options include no arms, fixed nonadjustable arms, height-adjustable arms, and the innovative leaf arms. Height-adjustable arm moves 4.4" vertically. Leaf arm is nonadjustable and supports your elbow while also clearing the work surface due to the angled arm position. The stool has one hue from top to bottom—nightfall, glacier, or canyon. It is also available in graphite, carbon, and mineral. Any color of the Intercept suspension material can be paired with any frame color.

**Notes**

20"-diameter footrest adjusts 4 1/2" in height. Footrest available in trivalent chrome. Column and ring are black. For information on casters and glides, see Casters and Glides in appendices. As with any material or textile, dye transfer may occur on seating surfaces, being more noticeable on lighter color expressions (for example: mineral on Aeron®, fog on Mirra® 2). If this is a concern, we recommend selecting a darker color expression on which dye transfer will be less noticeable. As a reminder, dye transfer is not covered under the Herman Miller warranty. MicrobeCare™ is an antimicrobial coating that can be applied to a wide variety of Herman Miller Group surfaces to protect products from mold, mildew, algae, and bacteria that cause deterioration, discoloration, odors, and stains. MicrobeCare™ is a US Environmental Protection Agency (EPA) registered nonpublic health antimicrobial. MicrobeCare™ is applied to the major touchpoints, including the seat, backrest, arms, armrests, frame and adjustment controls.

**Dimensions**



Cosm® Work Stools

# Cosm® Work Stool, Dipped in Color *continued*

Specification Information		
Step 1.		
<b>FLC8</b>		
Step 2. Back Height		
<b>4</b>	low back height	+\$2149
<b>5</b>	mid back height	+\$2212
Step 3. Height Adjustment		
<b>5</b>	stool extended height range	+\$0
Step 4. Tilt		
<b>S</b>	auto-harmonic tilt	+\$0
Step 5. Seat Depth		
<b>F</b>	fixed seat depth	+\$0
Step 6. Arms		
<b>N</b>	no arms	+\$0
<b>P</b>	fixed arms	+\$112
<b>H</b>	height-adjustable arms	+\$221
<b>J</b>	leaf arms	+\$271
Step 7. Frame Finish		
<b>DN2</b>	nightfall	+\$0
<b>DB3</b>	glacier	+\$0
<b>DR1</b>	canyon	+\$0
<b>MN2</b>	nightfall with MicrobeCare™ <span style="border: 1px solid black; padding: 0 2px;">A</span>	+\$70
<b>MB3</b>	glacier with MicrobeCare™ <span style="border: 1px solid black; padding: 0 2px;">A</span>	+\$70
<b>MR1</b>	canyon with MicrobeCare™ <span style="border: 1px solid black; padding: 0 2px;">A</span>	+\$70
Step 8. Chassis Finish		
<i>For nightfall (DN2) or nightfall with MicrobeCare™ (MN2)</i>		
<b>DN2</b>	nightfall	+\$0
<i>For glacier (DB3) or glacier with MicrobeCare™ (MB3)</i>		
<b>DB3</b>	glacier	+\$0
<i>For canyon (DR1) or canyon with MicrobeCare™ (MR1)</i>		
<b>DR1</b>	canyon	+\$0
Step 9. Base Finish		
<i>For nightfall (DN2)</i>		
<b>DN2</b>	nightfall	+\$0
<b>5Y</b>	semi-polished	+\$160

<i>For glacier (DB3)</i>		
<b>DB3</b>	glacier	+\$0
<b>5Y</b>	semi-polished	+\$160
<i>For canyon (DR1)</i>		
<b>DR1</b>	canyon	+\$0
<b>5Y</b>	semi-polished	+\$160
Step 10. Casters/Glides		
<i>For nightfall (DN2) or semi-polished (5Y)</i>		
<b>BKS</b>	2½ inch hard caster, black yoke, quiet roll technology, carpet only	-\$55
<b>GF</b>	2½" glide, hard floors or carpet	-\$30
<b>SC8</b>	2½ inch, hard floor or carpet, quiet roll technology	-\$5
<b>OC</b>	2½ inch, medium roll resistance, hard floor or carpet, quiet roll technology	+\$0
<b>O2N</b>	2½ inch, hard floor or carpet, quiet roll technology, nightfall	+\$0
<i>For glacier (DB3) or semi-polished (5Y)</i>		
<b>BKS</b>	2½ inch hard caster, black yoke, quiet roll technology, carpet only	-\$55
<b>GF</b>	2½" glide, hard floors or carpet	-\$30
<b>SC8</b>	2½ inch, hard floor or carpet, quiet roll technology	-\$5
<b>OC</b>	2½ inch, medium roll resistance, hard floor or carpet, quiet roll technology	+\$0
<b>O2B</b>	2½ inch, hard floor or carpet, quiet roll technology, glacier	+\$0
<i>For canyon (DR1) or semi-polished (5Y)</i>		
<b>BKS</b>	2½ inch hard caster, black yoke, quiet roll technology, carpet only	-\$55
<b>GF</b>	2½" glide, hard floors or carpet	-\$30
<b>SC8</b>	2½ inch, hard floor or carpet, quiet roll technology	-\$5
<b>OC</b>	2½ inch, medium roll resistance, hard floor or carpet, quiet roll technology	+\$0
<b>O2R</b>	2½ inch, hard floor or carpet, quiet roll technology, canyon	+\$0
Step 11. Intercept Suspension Material		
Price Category 1		+\$0

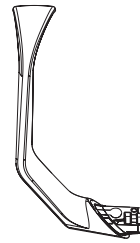


**Product Information**

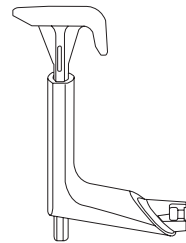
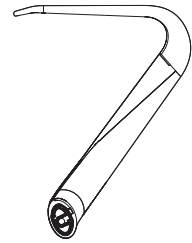
**Description**

These arms can be retrofitted to a Cosm™ work chair. Kit is available with fixed arms, height adjustable arms, or leaf arms. Fixed arm has a height of 8.6" from seat to top of arm. Height adjustable arm moves 4.4" vertically, from 7.3" to 11.7" above seat. Leaf arm is a fixed height arm with an angled suspension rest designed to support the elbow. Arm components are preassembled.

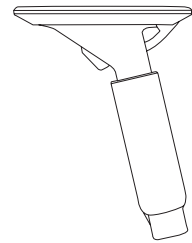
**Dimensions**



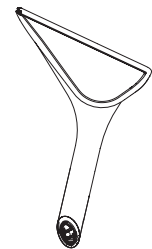
Fixed arm



Height adjustable arm



Leaf arm



Specification Information		
Step 1.		
<b>FLC900</b>		
Step 2. Arms		
<b>P</b>	fixed arms	+\$221
<b>H</b>	height-adjustable arms	+\$361
<b>J</b>	leaf arms <input type="checkbox"/> <b>A</b>	+\$401
Step 3. Frame Finish		
<b>G1</b>	graphite	+\$0
<b>CRB</b>	carbon	+\$19
<b>98</b>	studio white	+\$25
<b>DN2</b>	nightfall	+\$50
<b>DB3</b>	glacier	+\$50
<b>DR1</b>	canyon	+\$50
Step 4. Armpad Finish		
<i>For height-adjustable arms (H) with graphite (G1), or carbon (CRB), or studio white (98)</i>		
<b>BK</b>	black	+\$0
<b>CRB</b>	carbon	+\$0
<b>VPR</b>	mineral	+\$0
<i>For height-adjustable arms (H) with nightfall (DN2)</i>		
<b>DN2</b>	nightfall	+\$0
<i>For height-adjustable arms (H) with glacier (DB3)</i>		
<b>DB3</b>	glacier	+\$0
<i>For height-adjustable arms (H) with canyon (DR1)</i>		
<b>DR1</b>	canyon	+\$0
Step 5. Intercept Suspension Material		
<i>For leaf arms (J)</i>		
Price Category 1		+\$0

# Index by Product Name

<b>Cosm® Chairs</b>	
Cosm® Arm Kit	page(s) 19
Cosm® Work Chair	5
Cosm® Work Chair, Dipped in Color	9
Cosm® Work Chair, Dipped in Color, Ready to Assemble	12
Cosm® Work Chair, Ready to Assemble	7
Cosm® Work Stool	15
Cosm® Work Stool, Dipped in Color	17



## Index by Product Number

FLC14	Cosm® Work Chair	page(s) 5
FLC15		
FLC16		
FLC24	Cosm® Work Chair, Ready to Assemble	7
FLC25		
FLC26		
FLC34	Cosm® Work Chair, Dipped in Color	9
FLC35		
FLC36		
FLC44	Cosm® Work Chair, Dipped in Color, Ready to Assemble	12
FLC45		
FLC46		
FLC74	Cosm® Work Stool	15
FLC75		
FLC84	Cosm® Work Stool, Dipped in Color	17
FLC85		
FLC90	Cosm® Arm Kit	19







## 20-Day or Less/Assigned Lead-Time Order Information

### 20-Day or Less and Assigned Lead-Time Programs

20-day or less and assigned lead-time products are designed for established Herman Miller dealers with pre-approved credit.

Products are distributed from multiple manufacturing facilities across the United States. All products and options not designated by an Assigned Lead-Time icon  will ship in 20 business days or less after being acknowledged by Herman Miller. Products and options designated by an  are on the assigned lead-time program and will ship in 20 days, less than 20 days, or more than 20 days from order acknowledgement.

### Ordering Procedure

Please place orders through Order Manager. If this is not available to you, place orders through mail or fax. Verbal purchase orders will not be accepted.

Order Entry fax number for Meridian®

Filing and Storage: (616) 846 9236.

Order Entry fax number for all other products:

(616) 654 3085.

For more information, contact your Customer Care representative at:  
(866) 854 3048 ext 3400.

### Shipments and Delivery

Per Herman Miller Terms and Conditions.

### Changes and Cancellation

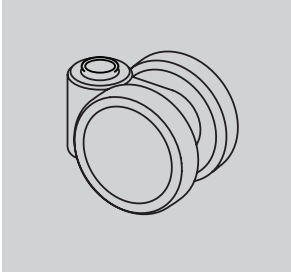
Per Herman Miller Terms and Conditions.



# Casters and Glides

▲	<b>WARNING</b>	▲
Depending on the floor surface, chair may unexpectedly roll away from user when entering or exiting the chair, possibly leading to unexpected injury. Please refer to descriptions of floor types when selecting casters.		

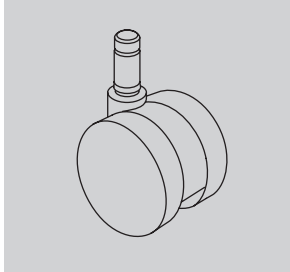
## 32 Caster



1<sup>7</sup>/<sub>8</sub>-inch-diameter hard double-wheel caster; black nylon wheels and yoke; for use on carpet only

Applicable on:  
Keyn Chairs  
Sayl® Chairs

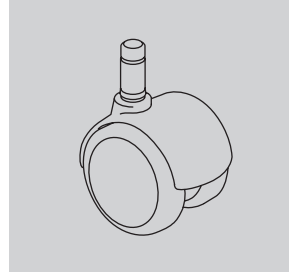
## BB Caster



2<sup>1</sup>/<sub>2</sub>-inch-diameter hard double-wheel caster; black nylon wheels and yoke; for use on carpet only

Applicable on:  
Asari Chair by Herman Miller™  
New Aeron® Chairs  
Caper® Chairs  
Embody® Chairs  
Equa 2® Chairs  
Ergon 3® Chairs  
Lino™ Chairs  
Sayl Chairs  
Mirra® 2 Chairs, Verus™ Chairs

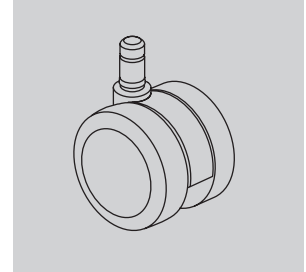
## BSC Caster



2-inch-diameter double-wheel caster; black nylon wheels and hood; soft polyurethane tread; for use on hard floors or carpet

Applicable on:  
Eames® Aluminum Group  
Eames Executive Chairs  
Eames Soft Pad Group  
Eames Task Chairs

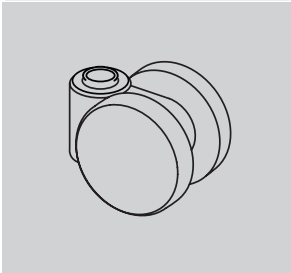
## C9 Caster



2<sup>1</sup>/<sub>2</sub>-inch-diameter double-wheel caster; black nylon wheels and yoke; soft polyurethane tread; internal brake; for use on hard floors or carpet

Applicable on:  
Caper Chairs  
Embody Chairs  
Equa 2 Chairs  
Ergon 3 Chairs  
Keyn Chairs  
Lino Chairs  
Mirra 2 Chairs  
Sayl Chairs  
Setu® Chairs  
Verus Chairs

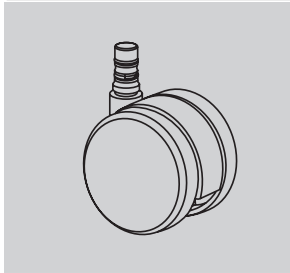
## 49 Caster



1<sup>7</sup>/<sub>8</sub>-inch-diameter soft double-wheel caster; black nylon wheels and yoke; for use on hard floors or carpet

Applicable on:  
Keyn Chairs  
Sayl Chairs

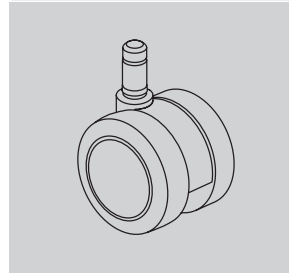
## BKS Caster



2<sup>1</sup>/<sub>2</sub>-inch-diameter hard double-wheel caster; black yoke; quiet roll technology; for use on carpet only

Applicable on:  
Cosm™ Chairs

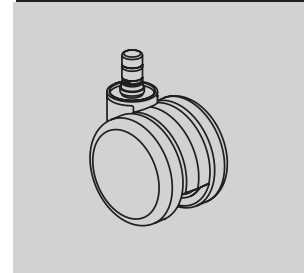
## C7 Caster



2<sup>1</sup>/<sub>2</sub>-inch-diameter double-wheel caster; black nylon wheels and yoke; soft polyurethane tread; for use on hard floors or carpet

Applicable on:  
Asari Chair by Herman Miller™  
New Aeron Chairs  
Caper Chairs  
Embody Chairs  
Equa 2 Chairs  
Ergon 3 Chairs  
Lino Chairs  
Mirra 2 Chairs  
Sayl Chairs  
Verus Chairs

## CSQ Caster



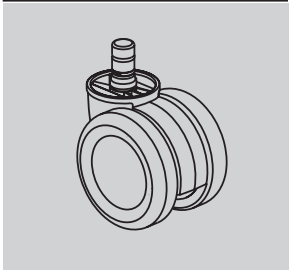
2<sup>1</sup>/<sub>2</sub>-inch-diameter double-wheel caster; color-matched nylon wheels and yoke; soft polyurethane tread; for use on hard floors or carpet

Applicable on:  
Zeph™ Chairs

# Casters and Glides

continued

**DC1 Caster**

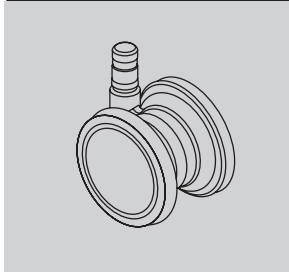


2<sup>1</sup>/<sub>2</sub>-inch-diameter double-wheel braking caster; black nylon wheels and yoke; for use on hard floors or carpet; quiet roll technology

Applicable on:

New Aeron Chairs

**H9 Caster**

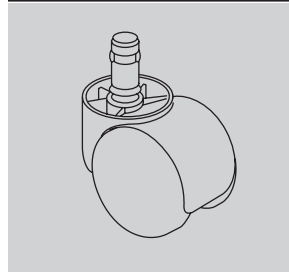


2<sup>1</sup>/<sub>2</sub>-inch-diameter double-wheel caster; clear polycarbonate wheels; nylon yoke; soft polyurethane tread; for use on carpet only

Applicable on:

Embody Chairs  
Keyn Chairs

**HW Caster**

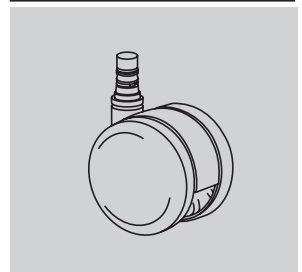


2-inch-diameter double-wheel caster; black nylon wheels and hood; for use on carpet only

Applicable on:

Limerick® Cart

**O2 Caster**

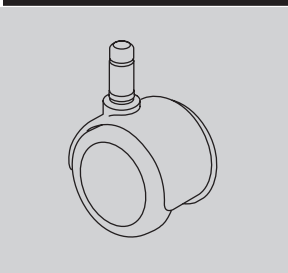


2<sup>1</sup>/<sub>2</sub>-inch-diameter double-wheel caster; nylon wheels and yoke; soft polyurethane tread; quiet roll technology; for use on hard floors or carpet

Applicable on:

Cosm Chairs

**DS Caster**

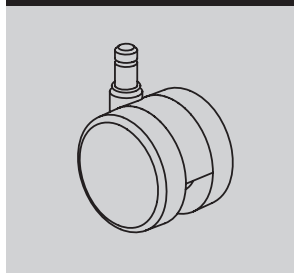


2-inch-diameter soft double-wheel braking caster; black nylon wheels and hood; for use on hard floors only

Applicable on:

Aside® Chairs  
Caper Chairs

**HCC Caster**

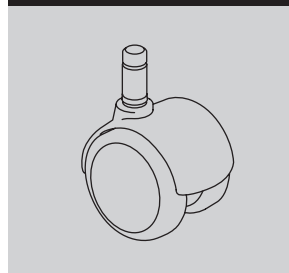


2<sup>1</sup>/<sub>2</sub>-inch-diameter double-wheel low roll resistance caster; black yoke; for use on hard floors or carpet

Applicable on:

Keyn Chairs  
Setu Chairs

**MD Caster**

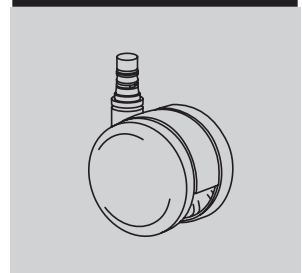


2-inch-diameter double-wheel caster; black nylon wheels with integral chrome hood; soft polyurethane tread; for use on hard floors or carpet

Applicable on:

Eames® Aluminum Group  
Eames Executive Chairs  
Eames Soft Pad Group  
Eames Task Chairs

**OC Caster**



2<sup>1</sup>/<sub>2</sub>-inch-diameter double-wheel medium roll-resistant caster; black nylon wheels and yoke; soft polyurethane tread; for use on hard floors or carpet; quiet roll technology

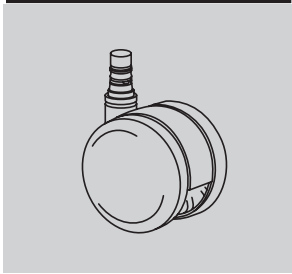
Applicable on:

Cosm Chairs  
Keyn Chairs  
Setu Chairs

# Casters and Glides

continued

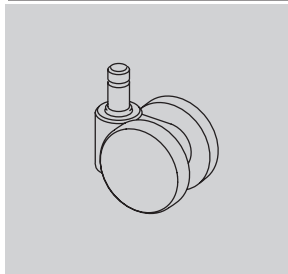
**SC8 Caster**



2<sup>1</sup>/<sub>2</sub>-inch-diameter double-wheel caster; black nylon wheels and yoke; soft polyurethane tread; quiet roll technology; for use on hard floors or carpet

Applicable on:  
Cosm Chairs  
Lino Chairs  
Mirra 2 Chairs  
Verus Chairs

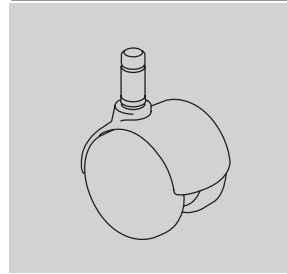
**U4 Caster**



1<sup>7</sup>/<sub>8</sub>-inch-diameter hard double-wheel caster; black nylon wheels and yoke; for use on carpet only

Applicable on:  
Aside Chairs  
Verus Chairs

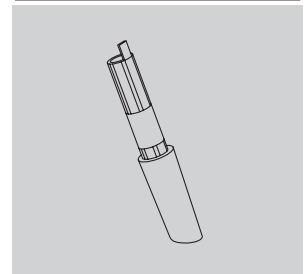
**UD Caster**



2-inch-diameter hard double-wheel caster; black nylon wheels with painted hood; for use on carpet only

Applicable on:  
Eames® Aluminum Group  
Eames Executive Chairs  
Eames Soft Pad Group  
Eames Task Chairs

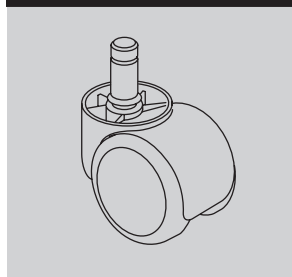
**16 Glide**



(Front glide shown)  
2<sup>1</sup>/<sub>8</sub>-inch-high glide; black or fog acetal; for use on carpet only

Applicable on:  
Sayl Chairs

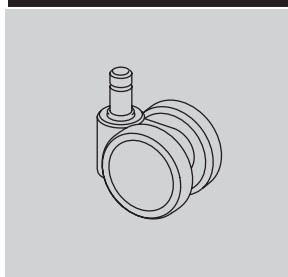
**SW Caster**



2-inch-diameter soft double-wheel caster; black nylon wheels and hood; for use on hard floors only

Applicable on:  
Limerick Cart

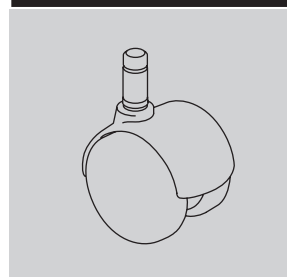
**U5 Caster**



1<sup>7</sup>/<sub>8</sub>-inch-diameter soft double-wheel caster; black nylon wheels and yoke; for use on hard floors or carpet

Applicable on:  
Aside Chairs  
Caper Chairs  
Verus Chairs

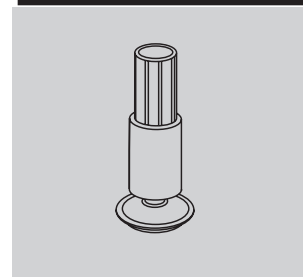
**VD Caster**



2-inch-diameter hard double-wheel caster; black nylon wheels with integral chrome hood; for use on carpet only

Applicable on:  
Eames Aluminum Group  
Eames Executive Chairs  
Eames Soft Pad Group  
Eames Task Chairs

**69 Glide**



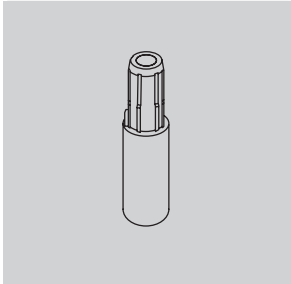
(Front glide shown)  
2<sup>1</sup>/<sub>8</sub>-inch-high glide; black glass-filled nylon stem; steel-plated swivel foot with Floor Saver Glide™ insert; for use on hard floors only

Applicable on:  
Sayl Chairs

# Casters and Glides

continued

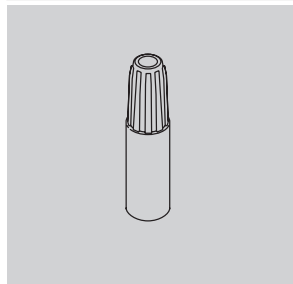
**AGL Glide**



2<sup>1</sup>/<sub>4</sub>-inch-high glide; black or white nylon stem; for use on carpet only

Applicable on:  
Keyn Chairs

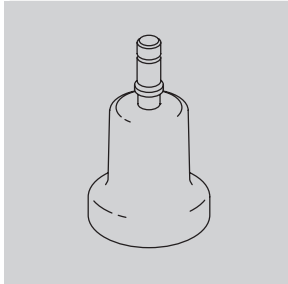
**G4 Glide**



1<sup>7</sup>/<sub>8</sub>-inch-high glide; black acetal; for use on carpet only

Applicable on:  
Verus Chairs

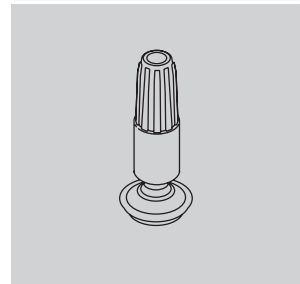
**GF Glide**



2<sup>1</sup>/<sub>2</sub>-inch-high glide; black nylon; for use on hard floors or carpet

Applicable on:  
New Aeron Chairs  
Caper Chairs  
Cosm Chairs  
Equa 2 Chairs  
Ergon 3 Chairs  
Lino Chairs  
Mirra 2 Chairs  
Sayl Chairs  
Verus Chairs

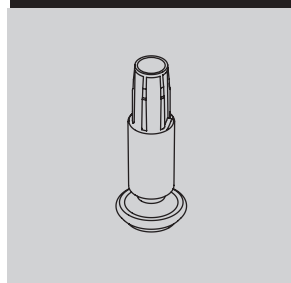
**GL Glide**



1<sup>7</sup>/<sub>8</sub>-inch-high glide; black nylon stem; steel-plated swivel foot with Floor Saver Glide™ insert; for use on hard floors only

Applicable on:  
Verus chairs

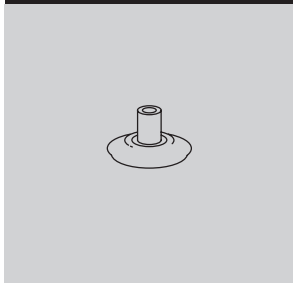
**FSG Glide**



2<sup>1</sup>/<sub>4</sub>-inch-high glide; black or white nylon stem; steel-plated swivel foot with Floor Saver Glide™ insert; for use on hard floors only

Applicable on:  
Keyn Chairs

**GD Glide**



1<sup>1</sup>/<sub>2</sub>-inch-diameter glide; 1/2 inch in height; black nylon; for use on hard floors or carpet

Applicable on:  
Eames Aluminum Group  
Eames Executive Chairs  
Eames Soft Pad Group  
Eames Task Chairs

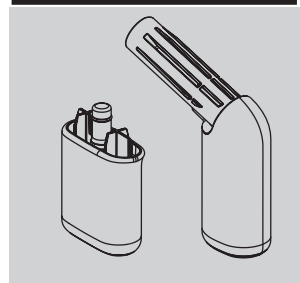
**GG Glide**



1/2-inch-high ganging glide; clear polycarbonate; for use on hard floors or carpet

Applicable on:  
Limerick Chairs  
Pronta Stacking Chairs

**GLN Glide**



Acetal glide; for use on carpet only

Applicable on:  
Fuld Nesting Chair

# Casters and Glides

continued



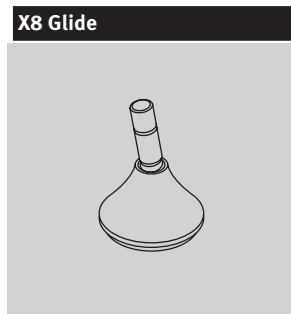
1/2-inch-high glide; black nylon glide with stainless-steel insert; for use on hard floors or carpet

Applicable on:  
Aside Chairs



1/2-inch-high glide; black nylon; for use on carpet only

Applicable on:  
Aside Chairs



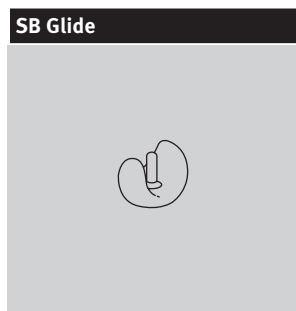
Glide; low profile; for use on hard floors or carpet

Applicable on:  
Setu Chairs



17/8-inch-high glide; black acetal; for use on carpet only

Applicable on:  
Caper Chairs



1/4-inch-high, 1-inch diameter glide; thermoplastic CAP material (G1 base has black glides; XT base has clear glides); for use on hard floors or carpet

Applicable on:  
Equa 2 Chairs



1/2-inch-high glide; clear polycarbonate; for use on hard floors or carpet

Applicable on:  
Limerick Chairs  
Pronta Stacking Chairs



1/8-inch-high glide; polycarbonate in black, fog, clear, and studio white finishes; for use on hard floors or carpet

Applicable on:  
Sayl Chairs



17/8-inch-high glide; black nylon stem; steel-plated swivel foot with Floor Saver Glide™ insert; for use on hard floors only

Applicable on:  
Caper Chairs





# Proprietary Textiles Application Chart — Seating

• Available

[A] Assigned lead-time textile.

[N] Non-woven textile.

See following page for exception notes.

## Price Category 1

Material	Aeron® Chairs	Cosm™ Chairs	Mirra® 2 Chairs/Stools	Embody® Chairs	Fuld Nesting Chairs	Sayl® Work Chairs/Stools	Sayl Side Chairs	Setu® Chairs/Stools	Zeph™ Chairs	Verus™ Work Chairs/Stools Back	Verus Work Chairs/Stools Seat	Verus Side Chairs Back	Verus Side Chairs Seat	Verus Plus Chairs	Aside® Chairs	Caper® Chairs/Stools	Lino™ Chairs Back	Lino Chairs Seat	OE1 Storage Trolley Cushion Top	Public Office Landscape® Back	Public Office Landscape Seat	Plex® Lounge Furniture	Swoop™ Lounge Seating - Fully Upholstered	Swoop Lounge Seating - Plywood	Valor™ Seating	Eames® Tandem Sling Seating	Cushion Tops	Workspaces
COM Customer's Own Material [A]						1	1			1	1	1	1	1	1			1	1		1	1	1	1	1	1	1	1
231__ 8Z Pellicle®	•																											
1A7__ AireWeave™ 2			•																									
8T__ Crossing								•							•				•				•	•			•	•
3DE__ Dex						•	•	•		•	•	•	•	•	•				•		•	19	•		•		•	•
4RM__ Duo																	•											
6V__ Flexnet™																•												
95__ Gem								•							•				•				•	•			•	•
845__ Intercept			•																									
365__ Interweave 2										•		•																
4W__ Lyris 2™								•																				
1MN__ Monologue						24	22	•		•	•	•						•	•		•	•	•	•	•	•	•	•
5H2__ Ripple 3D Knit									•																			
5H1__ Splash 3D Knit									•																			
4SC__ Scatter						•	•	•		•	•	•	•	•	•			•	•		•	•	•	•	•		•	•
3DN__ Scribe						21	22	•		•		•	•	•	•			•	•		•				•		•	•
3DK__ Stretch Knit [A]						21																						
235__ Tailored						•	•	•		•	•	•	•		•			•			•	23			•		7	•
9NK__ Tuck 3D Knit					•																							
1WS__ Whisper						24	•	•		•	•	•	•	•	•			•	•		•	•	•	•	•	•	•	•

## Price Category 2

3AR__ Aristo						•	•	•		•	•	•	•	•	•			•	•		•	•	•	•	•	•	•	•
92__ Crepe						•	•	•		•	•	•	•	•	•			•	•		•	•	•	•	•	•	•	•
3EP__ Epic						•	•			•	•	•	•	•	•			•	•		•	•	•	•	•	•	•	•
1LM__ Loom						•	•			•	•	•	•	•	•			•	•		•	•	•	•	•	•	•	•
1MV__ Marvel [N]						21	22	•										•								•		•
1HA__ Medley				•		•	22			•	•	•	•	•	•			•	•		•	•	•	•	•	•	•	•
4ME__ Mellow						•	22	•		•	•	•	•	•	•			•	•		•	•	•	•	•	•	•	•
30__ Rhythm					23	•	•			•	•	•	•	•	•			•	•		•	•	•	•	•	•	•	•
3SL__ Sequel [N]						•	•	•		•	•	•	•	•	•	8		•	•		•	•	•	•	•	•	•	•
4TE__ Terra						•	22			•	•	•	•	•	•			•	•		•	•	•	•	•	•	•	•
8R__ Twist						•	•	•		•	•	•	•	•	•			•	•		•	•	•	•	•	•	•	•

## Price Category 3

3AC__ Ace						21	•			•	•	•	•	•	8			•	•		•	19		•		•		
4LN__ Landing [N]																										•		
8M__ Latitude™					23	•	•											•					•	•				

## Price Category 4

3DM__ Daydream						21	•	•		•		•	•	•			•	•		•	•	•	•			•	•	
1DL__ Dialogue																				•								
1A9__ Network																					•							
3SY__ Sync				•		•	•	•		•	•	•	•	•	•			•			•	•	•	•	•	•	•	•

continued on next page

# Proprietary Textiles Application Chart — Seating continued

• Available

[A] Assigned lead-time textile.

[N] Non-woven textile.

See below for exception notes.

	Aeron® Chairs	Cosm™ Chairs	Mirra® 2 Chairs/Stools	Embody® Chairs	Fuld Nesting Chairs	Sayl® Work Chairs/Stools	Sayl Side Chairs	Setu® Chairs/Stools	Zeph™ Chairs	Verus™ Work Chairs/Stools Back	Verus Work Chairs/Stools Seat	Verus Side Chairs Back	Verus Side Chairs Seat	Verus Plus Chairs	Aside® Chairs	Caper® Chairs/Stools	Lino™ Chairs Back	Lino Chairs Seat	OE1 Storage Trolley Cushion Top	Public Office Landscape® Back	Public Office Landscape Seat	Plex® Lounge Furniture	Swoop™ Lounge Seating - Fully Upholstered	Swoop Lounge Seating - Plywood	Valor™ Seating	Eames® Tandem Sling Seating	Cushion Tops	Workspaces
<b>Price Category 5</b>																												
3CY__Cozy						•	•	•		•	•	•	•	•	•			•				•	•	•	•	•	•	•
14A__Hopsak						•	•	•		•	•	•	•	•	•			•	•			•	•	•	•	•	•	•
3SU__Summit [N]						•	•	•		•	•	•	•	•				•				•	•	•	•	•	•	•
<b>Price Category 6</b>																												
35__ Balance				•																								
<b>Price Category 7</b>																												
COL Customer's Own Leather [A]	1														8			1									1	
<b>Price Category 8</b>																												
No fabrics available at this time																												
<b>Price Category 9</b>																												
21__ Leather [N]	23														8			•	•						•		•	

Application Note: Herman Miller cannot guarantee material/pattern alignment in adjacent products. For example, a fabric's pattern may not align from one pedestal cushion top to the next, or from one chair to another.

- 1 Refer to price book appendices and Omni for COM/COL information.
- 7 Available on 1" Cushion Tops only.
- 8 Only available on the Aside nonupholstered outer back option (PB).
- 9 Available on Valor upholstered seat only.
- 19 Available on Plex seat only.
- 21 Not available on Sayl upholstered back work chairs.
- 22 Not available on Sayl side chairs with upholstered backs.
- 23 Available in select colors. Refer to "Proprietary Textile Colors-Seating" for color offering.
- 24 Not available on Sayl upholstered High-Back Work Chairs.

# Proprietary Textile Colors — Seating

## Price Category 1

### Customer's Own Material

See Order Information in Appendices.  
Assigned lead-time textile. A

### 8Z Pellicle®

For New Aeron® Chairs  
56% elastomeric  
44% polyester

23101 Mineral  
23102 Carbon  
23103 Graphite

### AireWeave™ 2

For Mirra® 2 Chairs  
67% elastomeric  
33% antimony-free polyester

1A701 Alpine  
1A702 Slate Grey  
1A703 Graphite  
1A704 Lime Green  
1A705 Cappuccino  
1A706 Urban Orange  
1A707 Dark Turquoise  
1A708 Twilight

### Crossing

54" wide  
86% antimony-free polyester  
14% polyester

8T03 Wicker  
8T04 Porcelain  
8T05 Warm Grey  
8T10 Tomato  
8T13 Green Apple  
8T16 Periwinkle  
8T17 Cerulean  
8T18 Indigo  
8T19 Shale  
8T22 Tin  
8T23 Graphite  
8T24 Black

### Dex

54" wide  
100% recycled polyester

3DE01 Frost  
3DE02 Silver Pine  
3DE03 Stone  
3DE04 Shale  
3DE05 Charcoal  
3DE06 Gossamer  
3DE07 Pine

### Duo

For Lino™ Chairs  
52% polyester  
48% elastomeric

4RM01 Mineral  
4RM02 Poppy  
4RM03 Green Leaf  
4RM04 Jade  
4RM05 Shadow  
4RM06 Graphite

### Flexnet™

For Caper® Chairs  
69% elastomeric  
31% polyester

6V01 Black  
6V02 Silver Grey

### Gem

54" wide  
100% antimony-free polyester

9502 Tangerine  
9503 Red  
9507 Twilight  
9508 Bayou  
9510 Berry Blue  
9511 Aqua Green  
9512 Green Apple  
9514 Black  
9515 Slate Grey  
9516 Fog

### Intercept

For Cosm™ Chairs  
60% elastomeric  
40% polyester

84501 Graphite  
84502 Carbon  
84503 Mineral  
84504 Nightfall  
84505 Glacier  
84506 Canyon

### Interweave 2

For Verus™ Chairs  
65% elastomeric  
35% polyester

36501 Iceberg  
36502 Poppy  
36503 Beachglass  
36504 Blue Grotto  
36505 Slate  
36506 Shale

### Lyris 2™

For Setu® Chairs  
74% elastomeric  
26% polyester

4W21 Alpine  
4W22 Mango  
4W23 Chartreuse  
4W25 Berry Blue  
4W26 Slate Grey  
4W28 Chino  
4W29 Rattan  
4W30 Java  
4W31 Graphite

### Monologue

54" wide  
56% recycled polyester  
44% polyester

1MN01 Linen  
1MN02 Alabaster  
1MN03 Truffle  
1MN04 Folkstone  
1MN05 Silver Pine  
1MN06 Slate

### Monologue *continued*

1MN07 Seed  
1MN08 Yellow Oxide  
1MN09 Persimmon  
1MN10 Tundra  
1MN11 Meadow  
1MN12 Blue Sky  
1MN13 Blue Spruce  
1MN14 Deep Sea

### Ripple 3D Knit

Available only on Zeph™ Chairs.  
knit to size  
51% post-consumer recycled polyester  
48% polyester  
1% lycra

5H201 Black  
5H202 Carbon  
5H203 Alpine  
5H204 Silt  
5H205 Tea Rose  
5H206 Cocoa  
5H207 Persimmon  
5H208 Blaze  
5H209 Cayenne  
5H210 Falcon  
5H211 Mustard Seed  
5H212 Patina  
5H213 Olive  
5H214 Moss  
5H215 Aloe  
5H216 Glacier  
5H217 Ultramarine  
5H218 Nightfall  
5H219 Bluebell  
5H220 Boysenberry  
5H221 Nightfall/Bluebell  
5H222 Patina/Alpine  
5H223 Cayenne/Glacier  
5H224 Tea Rose/Olive  
5H225 Silt/Blaze

*Price category 1 continued on next page*

# Proprietary Textile Colors — Seating

continued

## Price Category 1

continued

Appendix: Proprietary Textile Colors — Seating

Scatter	
54" wide	
100% recycled polyester, with 26% ocean bound plastic	
4SC01	Alpine
4SC02	Fog
4SC03	Shale
4SC04	Persimmon
4SC05	Red Violet
4SC06	Lime Zest
4SC07	Olive
4SC08	Glacier
4SC09	Blue Sky
4SC10	Lagoon
4SC11	Slate Grey
4SC12	Blue Black

Scribe	
54" wide	
100% recycled polyester with 53% ocean bound plastic	
3DN01	Spring Wood
3DN02	Poplar
3DN03	Pewter
3DN04	Deep Sea
3DN05	Fir
3DN06	Nutmeg

Splash 3D Knit	
Available only on Zeph™ Chairs. knit to size	
54% post-consumer recycled polyester 44% polyester 2% lycra	
5H101	Black
5H102	Carbon
5H103	Alpine
5H104	Silt
5H105	Tea Rose
5H106	Cocoa
5H107	Persimmon
5H108	Blaze
5H109	Cayenne
5H110	Falcon

Splash 3D Knit continued	
5H111	Mustard Seed
5H112	Patina
5H113	Olive
5H114	Moss
5H115	Aloe
5H116	Glacier
5H117	Ultramarine
5H118	Nightfall
5H119	Bluebell
5H120	Boysenberry

Stretch Knit	
Assigned lead-time textile. <span style="border: 1px solid black; padding: 0 2px;">A</span>	
Available only on Sayl® Suspension Back Work Chairs	
97% polyester, 3% spandex	

3DK01	Fog
3DK02	Slate Grey
3DK03	Java
3DK04	Black
3DK05	Red
3DK06	Green Apple
3DK07	Berry Blue

Tailored	
54" wide	
56% polyester 44% recycled polyester	
23501	Studio White *
23502	Sugar *
23503	Tomato
23504	Orchid
23505	Boysenberry
23506	Chive
23507	Bluegrass
23508	Cobalt
23509	Cadet
23510	Fog
23511	Graphite
23512	Black
23513	Coffee

\* Colors not available on  
Plex™ Lounge Furniture.

Tuck 3D Knit	
Available only on Fuld Nesting Chairs.	
knit to size	
56% polyester 44% recycled polyester	
9NK01	Alpine
9NK02	Carbon
9NK03	Nightfall
9NK04	Olive
9NK05	Cocoa
9NK06	Canyon

Whisper	
54" wide	
73% recycled polyester 27% polyester with 11.3% ocean bound plastic	
1WS01	Sand Dollar
1WS02	Pebble
1WS03	Silver Birch
1WS04	Iceberg
1WS05	Silver Pine
1WS06	Carbon
1WS07	Cumin
1WS08	Adobe
1WS09	Strawberry
1WS10	Blush
1WS11	Eggplant
1WS12	Willow
1WS13	Sea Grass
1WS14	Pool
1WS15	Blueberry
1WS16	Glacier
1WS17	Grey
1WS18	Canyon

## Price Category 2

Aristo	
54" wide	
88% recycled polyester 12% polyester Acrylic backing	
3AR01	Forest Moss
3AR02	Light Brindle
3AR03	Mink
3AR04	Copper
3AR05	Adobe
3AR06	Cherry
3AR07	Lilac
3AR08	Green Apple
3AR09	Surf
3AR10	Waterfall
3AR11	Cadet
3AR12	Tin
3AR13	Pewter
3AR14	Grey Brindle
3AR15	Grey Black

Crepe	
54" wide	
100% recycled polyester, with 43.6% ocean bound plastic	
9201	Licorice
9203	Smoke
9207	Cherry
9223	Cadet
9241	Beachglass
9249	Stone
9251	Fog
9252	Slate Grey
9261	Shale
9262	Graphite
9265	Mineral
9266	Persimmon
9267	Juniper
9268	Glacier
9269	Cascade
9270	Navy

Price category 2 continued on  
next page

# Proprietary Textile Colors — Seating

continued

## Price Category 2

continued

Epic	
54" wide	
56% recycled polyester	
44% polyester	
Acrylic backing	
3EP01	Alabaster
3EP02	Smoke
3EP03	Falcon
3EP04	Citrus Spring
3EP05	Copper
3EP06	Urban Orange
3EP07	Poppy
3EP08	Wild Plum
3EP09	Sugar Plum
3EP10	Clover
3EP11	Loden
3EP12	Everglade
3EP13	Mist
3EP14	Peacock
3EP15	Cadet
3EP16	Indigo
3EP17	Spring Wood
3EP18	Grey Brindle
3EP19	Seed
3EP20	Carbon Dark

Loom	
54" wide	
100% polyester	
1LM01	Linen *
1LM03	Brick and Mortar
1LM04	Salt and Pepper
1LM05	Black
1LM08	Wild Berry
1LM09	Loden
1LM10	Jade
1LM11	Deep Sea

\* Color not available on Valor™ Seating

Marvel	
54" wide	
100% pvc-free polyurethane	
1MV01	Summer White
1MV02	Sand Dollar
1MV03	Espresso
1MV04	Folkstone Grey
1MV05	Graphite
1MV06	Onyx
1MV07	Polar Blue
1MV08	Blush Grey
1MV09	Woodrose
1MV10	Citrus
1MV11	Adobe
1MV12	Red
1MV13	Kiwi Green
1MV14	Pine
1MV15	Teal Green
1MV16	Twilight

Medley	
54" wide	
100% polyester	
1HA01	Stone
1HA02	Trail
1HA03	Charcoal
1HA04	Cinder
1HA05	Citrus
1HA06	Papaya
1HA07	Chutney
1HA08	Tundra
1HA09	Feather Grey
1HA10	Chartreuse
1HA11	Loden
1HA12	Peacock
1HA13	Bayou
1HA14	Blue Grotto
1HA15	Blueberry
1HA22	Khaki
1HA23	Pewter
1HA24	Yellow Oxide
1HA25	Vintage Rose
1HA26	Raspberry
1HA27	Acai Berry

Mellow	
54" wide	
100% recycled polyester, with 16% ocean bound plastic	
4ME01	Mineral
4ME02	Pewter
4ME03	Wisteria
4ME04	Olive
4ME05	Glacier
4ME06	Oceanside
4ME07	Charcoal

Rhythm	
54" wide	
100% polyester	
3001	Kiwi Green *
3002	Green Apple *
3003	Peacock *
3004	Bayou *
3005	Berry Blue
3006	Iris *
3007	Twilight
3008	Pumpkin *
3009	Poppy *
3010	Molasses *
3011	Mulberry *
3012	Khaki *
3013	Mink *
3014	Black
3015	Charcoal

\* Colors not available on Embody® Chair.

Sequel	
54" wide	
100% vinyl	
100% polyester knit backing	
Resilience® finish	
3SL01	White
3SL02	Pebble
3SL03	Mushroom
3SL04	Stone
3SL05	Chestnut
3SL06	Rattan
3SL07	Black Cherry
3SL08	Tundra
3SL09	Seal
3SL10	Blue Fog
3SL11	Folkstone
3SL12	Shale
3SL13	Slate Grey
3SL14	Charcoal
3SL15	Carbon Dark
3SL28	Navy *

\* Color available on Eames® Tandem Sling Seating.

Terra	
54" wide	
100% post-consumer recycled biodegradable polyester *	
4TE01	Spring Wood
4TE02	Zinc
4TE03	Pine Cone
4TE04	Charcoal

\* 1% biodegradation in 1,278 days under ASTM D5511 conditions. No evidence of further degradation.

Price category 2 continued on next page

# Proprietary Textile Colors — Seating

continued

## Price Category 2

continued

Twist	
54" wide	
80% antimony-free polyester	
13% recycled polyester	
7% polyester	
8R05	Wicker
8R10	Poppy
8R14	Tin
8R15	Shale
8R16	Graphite
8R17	Birch
8R18	Sepia
8R22	Blueberry
8R23	Green Apple
8R26	Gunmetal
8R27	Cinder
8R28	Citrus
8R29	Pekoe
8R30	Tangerine
8R31	Red Plum
8R32	Wisteria
8R33	Forest
8R34	Jade Dark
8R35	Waterfall
8R36	Midnight Blue
8R37	Carbon Dark

## Price Category 3

Ace	
54" wide	
100% polyurethane	
Polyester knit backing	
Stain resistant finish	
3AC01	Summer White
3AC02	White Ash
3AC03	Rye
3AC04	Metal
3AC05	Clay
3AC06	Chestnut
3AC07	Citrus
3AC08	Camelback
3AC09	Chipotle
3AC10	Claret
3AC11	Slate Purple
3AC12	Artichoke
3AC13	Sepia Dark
3AC14	Aloe
3AC15	Flint
3AC16	Blue Sky
3AC17	Oceanside
3AC18	Midnight
3AC19	Spring Wood
3AC20	Frost
3AC21	Lead
3AC22	Black

Landing	
For Eames® Tandem Sling Seating	
54" wide	
100% TPE	
Polyester knit backing	
4LN01	Black

Latitude™	
61" wide	
100% polyester	
8M01	Graphite
8M02	Shadow
8M10	Alpine
8M17	Black
8M21	Slate Grey
8M22	Lime Green
8M23	French Press
8M24	Urban Orange
8M25	Dark Turquoise
8M26	Twilight

Latitude	
Colors for Mirra 2 Chairs	
100% polyester	
8M10	Alpine
8M17	Black
8M21	Slate Grey
8M22	Lime Green
8M23	French Press
8M24	Urban Orange
8M25	Dark Turquoise
8M26	Twilight

## Price Category 4

Daydream	
54" wide	
48% wool	
41% recycled polyester	
9% nylon	
2% polyester	
3DM01	Rye Grass
3DM02	Silver Birch
3DM03	Pewter
3DM04	Graphite
3DM05	Black
3DM06	Lemongrass
3DM07	Permission
3DM08	Juniper
3DM09	Sea Grass
3DM10	Nightfall

Dialogue	
For Public Office Landscape®	
Sectional Back/Social Chair Back	
knit to size	
100% polyester	
1DL01	Light Brindle
1DL02	Dark Brindle

Network	
For Public Office Landscape®	
Sectional Back/Social Chair Back	
knit to size	
100% polyester	
1A901	Warm White
1A902	Fog
1A903	Red
1A904	Wildberry
1A905	Green Apple
1A906	Twilight
1A907	Graphite

Price category 4 continued on next page

# Proprietary Textile Colors — Seating

continued

## Price Category 4

continued

Sync	
55" wide	
100% polyester	
3SY01	Pine Cone
3SY02	Citron
3SY03	Canyon
3SY04	Truffle
3SY05	Wild Berry
3SY06	Everglade
3SY07	Glacier
3SY08	Nightfall
3SY09	Dark Mineral
3SY10	Slate Grey
3SY11	Dark Carbon
3SY12	Black

## Price Category 5

Cozy	
54" wide	
100% wool	
3CY01	Heathered Warm Grey
3CY02	Heathered Rye Grass
3CY03	Heathered Cool Grey
3CY04	Heathered Blue Grey
3CY05	Heathered Black
3CY06	Heathered Persimmon
3CY07	Heathered Loden
3CY08	Heathered Jade
3CY09	Heathered Lagoon
3CY10	Heathered Twilight

Hopsak	
56" wide	
100% recycled polyester	
14A20	Black
14A22	Raw Umber Dark
14A26	Grey Blue Dark
14A30	Sepia Dark
14A38	Emerald Dark
14A39	Yellow Dark
14A40	Orange
14A41	Sienna
14A42	Olive Green Dark
14A43	Crimson
14A44	Crimson Dark Dark
14A45	Violet Dark
14A46	Pink Dark Dark
14A47	Ultramarine Dark
14A48	Cobalt Blue
14A49	Terra Cotta
14A50	Ochre Dark

Summit	
54" wide	
100% silicone	
Polyester knit backing	
3SU01	Bright White
3SU02	Oyster
3SU03	Zinc
3SU04	Sparrow
3SU05	Taupe
3SU06	Java
3SU07	Black
3SU08	Cherry
3SU09	Beachglass
3SU10	Midnight

## Price Category 6

Balance	
For Embody® chairs	
100% polyester	
3512	Carbon
3513	Black

Appendix: Proprietary Textile Colors — Seating

# Proprietary Textile Colors — Seating

continued

Appendix: Proprietary Textile Colors — Seating

## Price Category 7

**Customer's Own Leather**  
See Order Information in Appendices. Assigned lead-time textile. [A](#)

## Price Category 8

No fabrics available at this time.

## Price Category 9

Leather	
approx. 50 sq. ft. per hide	
100% leather	
2101	Ivory
2109	Black *
2110	Smoke
2111	Graphite
2112	Khaki
2113	Rattan
2114	Truffle
2115	Alpine
2116	Haze
2117	Sable Grey
2118	Dark Mineral **
2119	Dark Carbon ***
2120	Cranberry
2121	Deep Sea

\* Armpad color available on Aeron® Chair, Graphite.

\*\* Armpad color available on Aeron Chair, Mineral.

\*\*\* Armpad color available on Aeron Chair, Carbon.





For more information about our products and services or to see a list of dealers, please visit us at [HermanMiller.com](http://HermanMiller.com) or call (800) 851 1196.

© 2023 Herman Miller, Inc., Zeeland, Michigan

#### Distribution Rights

Working together since 1956, Herman Miller and Vitra are the authentic sources of designs by Charles and Ray Eames, Alexander Girard, and George Nelson. All the designs shown in this book are protected by law. Herman Miller has obtained all rights to make and sell these designs. Also, Herman Miller holds exclusive worldwide manufacturing and distribution rights for these products with the following exceptions:

Charles and Ray Eames, George Nelson, and Alexander Girard—Worldwide distribution rights for furniture in all areas except Europe and the Middle East. For those areas, please contact Vitra.

Isamu Noguchi—Worldwide distribution rights for the Noguchi Rudder Table. Distribution rights for the Noguchi Table in North America and Central America only. For all other areas, please contact Vitra.

Magis—Exclusive distribution rights in the US and Canada. For all other areas, please contact Magis.

© **HermanMiller**, 3D Intelligent, AO, Action Office, Aeron, ArcSpan, Aside, Avall, Bubble Lamps, Canvas Office Landscape, Caper, Celle, Cosm, Co/Struc, Daisyone, Distil, Eames, Eco-Dematerialized, Embody, Envelop, Ethospace, Exclave, Fine-Tune, FlexFront, Flo, Formcoat, Formwork, Ground Cloth, Kinemat, Layout Studio, Lifework, Lino, Live Unframed, Living Office, Maharam, Meridian, Mirra, Motia, Nelson, Pellicle, Perspectives, Plex, PostureFit, PostureFit SL, Prospects, Public Office Landscape, Rodney, Sayl, Setu, Tu, Ubi, Verus, Wishbone, and Y-Tower are among the registered trademarks of Herman Miller, Inc., and its owned subsidiaries.

™ 8Z Pellicle, About Face, AireWeave, Albert, Ambit, Asari Chair by HermanMiller, Backfit, Bublelactack, Burdick Group, Butterfly Back, Cellular Suspension, Clam, Commend, Compass, Connect, DOT, Duracare, Durawrap, EnhancedAccess, Everywhere, Flex-Edge, Flute, Harmonic, Headway, Herman Miller Select, Hopsak 2, Intent, Iota, Jaw, Keyless Entry, Latitude, Logic Mini, Logic Power Access Solutions, Live Platform, Loop, Lyrus, Lyrus 2, Made-to-Measure Storage, Mora, Multiscrim, Nevi, OE1 Workspace Collection, Overlay, Pari, Pixelated Support, Pronta Stacking Chairs by Herman Miller, Prospect, Renew, Sense, Soft Pad, Stackable, Stackable Storage, Striad, Swoop, Thrive, Tone, TriFlex, Twist, Vista, Wireframe, and Zeph are among the trademarks of Herman Miller, Inc., and its owned subsidiaries.

SM Herman Miller Options is among the service marks of Herman Miller, Inc.

AAP™ is a trademark of Extron Electronics.

Alexander Girard® is a registered trademark of The Alexander Girard Estate.

Chemsurf® is a registered trademark of Wilsonart International.

Corian® is a registered trademark of E. I. du Pont de Nemours and Company Corporation.

Crypton® is a registered trademark of Crypton, Inc.

DACRON® is a registered trademark of INVISTA S.a r.l.

Danzer® is a registered trademark of Danzer Holding AG.

Decora® is a registered trademark of Leviton Manufacturing Co., Inc.

Edelman® Leather is a registered trademark of Edelman Leather, Inc.

Extron® is a registered trademark of RGB Systems, Inc.

FENIX NTM® is a registered trademark of Arpa Industriale S.p.A.

FLEXNET™ is a trademark of Milliken & Company.

Floor Saver Glide® is a registered trademark of Carpin Manufacturing, Inc.

Forest Stewardship Council® is a registered trademark of the Forest Stewardship Council A.C. (FSC). We are FSC® certified (FSC® C102895).

FSC® is a registered trademark of the Forest Stewardship Council A.C. (FSC).

Geiger® is a registered trademark, and Bumper™, Saiba™, and Ward Bennett™ are trademarks, of Geiger International.

Hang-It-All® is a registered trademark of Lucia Eames Demetrios, d.b.a. Eames Office.

Holophane® is a registered trademark of Holophane.

Ingeo™ is a trademark of Cargill Dow LLC.

iPad® and Mac mini® are registered trademarks of Apple Inc.

Leviton® is a registered trademark of Leviton Manufacturing Co., Inc.

LifeSize® is a registered trademark of LifeSize Communications, Inc.

Logitech G® is a registered trademark of Logitech International S.A.

Magis®, Bombo®, and Me Too® are registered trademarks of Magis S.p.A.

MicrobeCare™ is a trademark of Parasol Medical LLC.

Microsoft® and Natural® Keyboard are registered trademarks of Microsoft Corporation.

Noguchi® and the Noguchi table configuration (trade dress) are registered trademarks, and Rudder Table™ is a trademark, of The Isamu Noguchi Foundation and Garden Museum.

Place Textiles® is a registered trademark of Place Textiles.

Sunbrella® is a registered trademark of Glen Raven, Inc.

SuperSeat™ is a trademark of Dahti Seating, a division of ITW.

Valor™ is among the trademarks owned by Nemschoff, Inc.