

Heating Capacity (Steam)	18,700	18,700	18,700	18,700/td>	18,700	18,700	20,20
Electric Heating Max.(KW)	1.5	1.5	3.0	1.5	1.5	3.0	3.0
Voltage	115	115	115	208/230	208/230	208/230	208/2
Amperage	3.6	4.4	6.5	3.2	4.3	5.6	7.2
Watts	740	910	1,350	655	885	1,155	1,485
CFM Room Air High	350	350	450	350	350	450	450
CFM Room Air Low	260	260	350	260	260	350	370
CFM Room Heat High	260	260	350	260	260	350	370
CFM Room Heat Low	210	210	210	210	210	210	210
CFM Outside Air	60	60	60	60	60	60	60
CFM X Outside Air	110	110	110	110	110	110	110
Weight Net/Ship	113/129	117/133	117/133	113/129	117/133	117/133	132/1

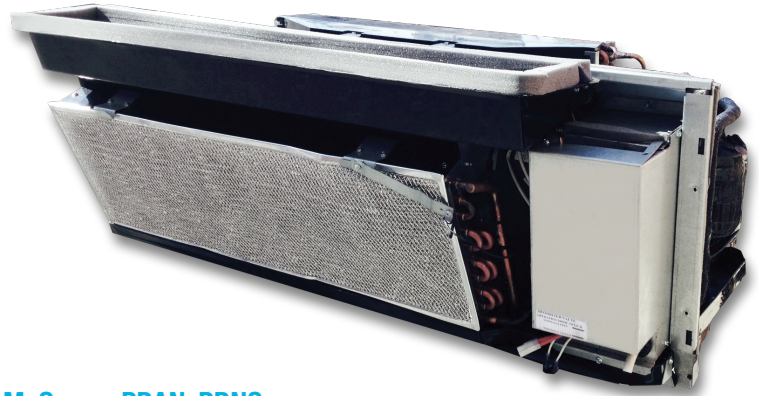
877-ICE-AIR-1

© 2016 Ice Air. All rights reserved.

Ice Air's RSAN Series New Construction and Replacement units are high energy efficiency PTACs. Designed from the ground up for ultra-high efficiency, they incorporate advanced LEEDs features in a durable and user-friendly package.

Features:

- Ultra-high efficiency – EERs to 11.0
- Advanced tangential indoor blower provides balanced air flow
- Whisper quiet sound levels
- Standard programmable digital touchpad controls
- 5/2 or 7 day programming
- Heavy duty, commercial-grade construction throughout
- G90 galvanized steel construction, powder-coated drain and base pans
- Furniture-grade, powder-coated cabinetry
- Rotary compressor
- Replaces many original OEM equipment lines, including McQuay - PDAN, PDNS



SERIES MODEL #	5RSAN07	5RSAN09	5RSAN13	8RSAN07	8RSAN09	8RSAN13	8RSAN15	8RSAN18
COOLING CAPACITY*	7,500	9,600	12,220	7,500	9,600	12,700	15,000	16,600
EER	11.3	10.5	10.0	11.9	11.2	10.0	10.1	9.4
HEATING CAPACITY (HOT WATER)**	17,200	17,200	17,200	17,200	17,200	17,200	19,500	19,500
HEATING CAPACITY (STEAM)***	18,700	18,700	18,700	18,700	18,700	18,700	20,200	20,200
ELECTRIC HEATING MAX. (KW)	1.50	1.50	3.00	1.50	1.50	3.00	3.00	3.00
VOLTAGE	115V	115V	115V	208/230	208/230	208/230	208/230	208/230
AMPERAGE	3.6	4.4	6.50	3.2	4.3	5.6	7.2	8.5
WATTS	740	910	1,350	655	885	1,155	1,485	1,765
CFM ROOM AIR HIGH	350	350	450	350	350	450	450	450
CFM ROOM AIR LOW	260	260	350	260	260	350	370	370
CFM ROOM HEAT HIGH	260	260	350	260	260	350	370	370
CFM ROOM HEAT LOW	210	210	210	210	210	210	210	210
CFM OUTSIDE AIR	60	60	60	60	60	60	60	60
CFM X OUTSIDE AIR	110	110	110	110	110	110	110	110
WEIGHT NET/SHIP	113/129	117/133	117/133	113/129	117/133	117/133	132/148	141/157

SPECIFICATION NOTES:

1: * BTUH @ 80°F. DB/67 °F. WB INDOORS; 95 °F. DB OUTDOORS.

2: ** BTUH @ 200°F. E.W.T.; 65 °F. E.A.T. & 2 G.P.M. FLOW RATE

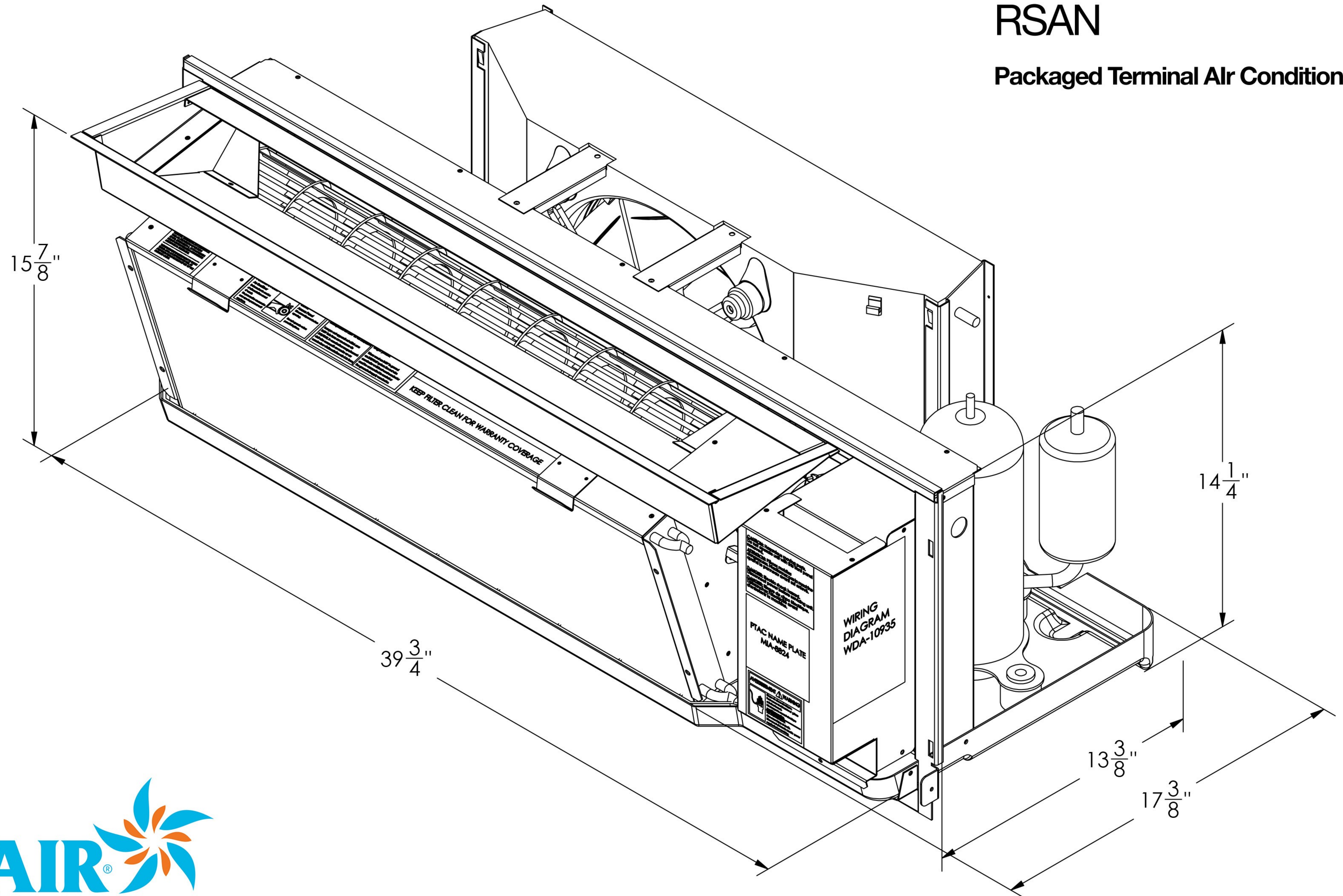
3: *** BTUH @ 2 PSIG STEAM & 65 °F. E.A.T.

Contact Ice Air today at **1-877-ICE-AIR1** or visit **www.ice-air.com** to learn more!

80 Hartford Avenue, Mount Vernon, NY 10553 | Fax 914-668-5643 | www.ice-air.com

RSAN

Packaged Terminal Air Conditioner (PTAC)



ORIGINAL MANUFACTURER	MODEL/SERIES	
American Air Filter (AAF)	Type 25	RS41
	Type 16	RS16
American Standard	Type 41	RS41
	Type 45	RS16
ClimateMaster	700 AD	RSCM/B* or C*
	702,703,704	RSCM/A
Cool Heat	RM	RSZ
Embassy	Weather Twin	RSZ
Fedders	Maxizone	RSF
Friedrich	700 AD	RSCM/B* or C*
	702,703,704	RSCM/A
Ice-Cap	RSK	RSK
	RSCT	RSCT
	RSCT-ZS	RSCT-ZS
Islandaire	N, NH	RSAN
	AD	RSCM/B* or C*
	CM	RSCM/A
	ED	RSEA
	JK	RSCT-JK
	KF	RSMK, RSK/K
	NE	RSAN
	MX	RSF
	RK	RSK
	RM	RSZ
	RT	RSCT
	WL	WL
	16	RS16
41	RS41	
W, Wenig	WL "Coffin"	WL
	IW "Step Up"	RSIW
McQuay	PDES**, PDNS, PDAN, PGAN	RSAN
	EA, ES, RS	RSEA
	N, NH, PDNS	RSAN
	PNES, ENR	RS16
	K, EK, RK	RSMK
Remington	EA, ES, RS	RSEA
	K, EK	RSMK
RetroAire	RC15	RS41
	RC40	RSF
	RC/RH10	RS16
	RC/RH20	RSZ, RSCM/A
	RC/RH22	RSK
	RC/RH35	RSEA
	RC/RH60	RSMK, RSK/K
	RC/RH90	RSCM/B* OR C*
Singer	EA, ES, RS	RSEA
	N, NH	RSAN
	K, EK	RSMK, RSK/K
	TYPE 16	RS16
SlantFin	JK	RSCT-JK

Replacement compatibility based on typical configurations. Modifications may be required based on OEM variations.

*Control box configuration must be specified

**May require new cabinet