

Radio Interface Cable

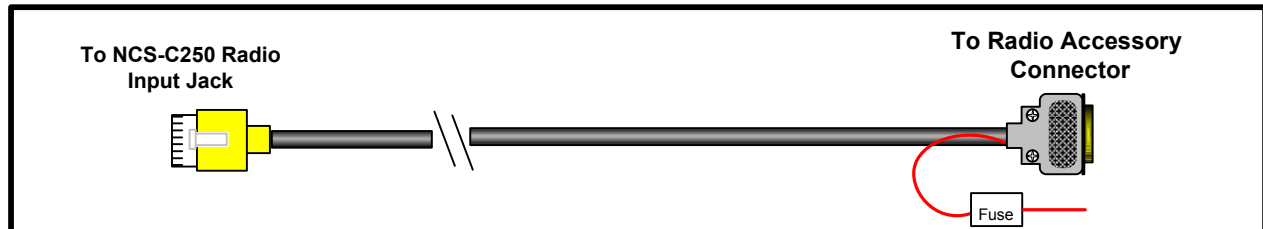
For NCS-C250 Mobile Multi-Switcher

NCS Model Number

NCS-250-MAA-XX

Compatible Radios:

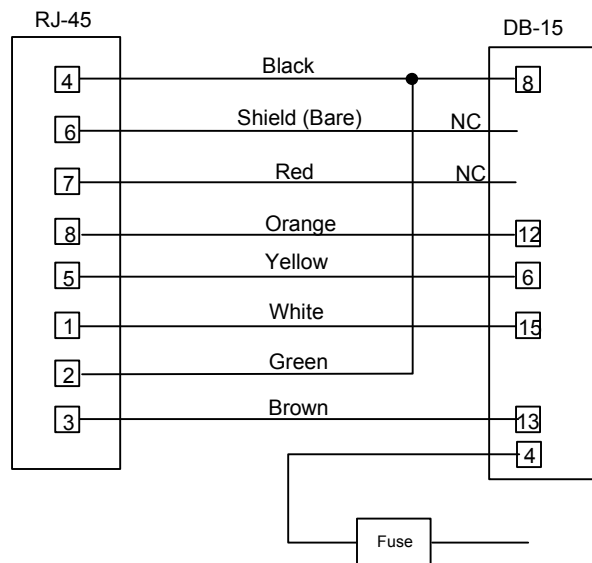
Spectra (Dash Mount)



RJ-45

Pin #	Wire Color	Function
1	White	Mic Hi
2	Green	Mic Lo
3	Brown	PTT
4	Black	Ground
5	Yellow	Rx Audio
6	Shield	Ground
7	Red	NC
8	Orange	COR*

* **Works only on units with COR Option installed**



Cable Wiring

Notes:

- To make the COR signal available on Pin 12 of J2 (Accessory connector) the following modification must be made to the radio:
 - Install a jumper between the Audio PA IC (TDA 7256) pin 10 (PA Enable) and J503 pin 19 (VIP Out 1).
 - For radios with an HLN-6094B Command board, disregard "A" above and install a jumper between J503 pin 19 and C10 positive side.