

**USER'S
MANUAL**

ATHERTON

CCTV LED MONITOR

MODEL: ADE-117N1

ADE-119N1

ADE-118W1

ADE-121W1

ADE-124W1

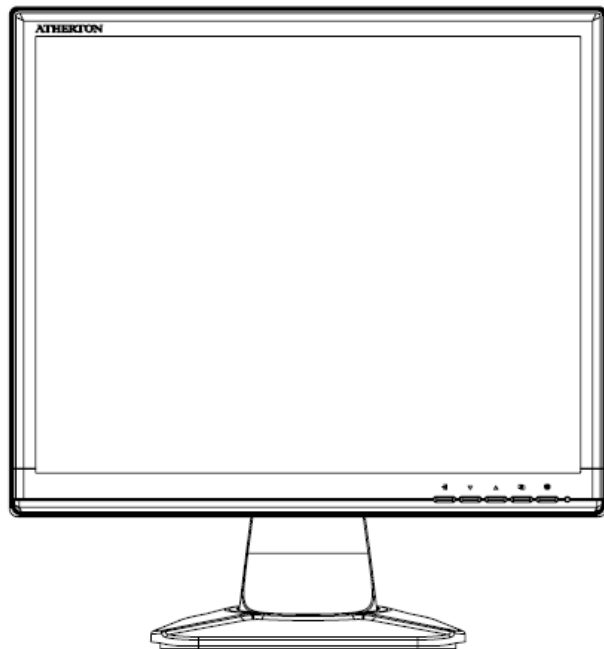


TABLE OF CONTENTS

● FCC information -----	3
● CE information -----	3
● Safety Precautions -----	3
1. Scope -----	5
2. Functional specification -----	5
3. Controls and indicators -----	7
4. OSD Menu -----	9
5. Regulatory Agency -----	22
6. Mechanical -----	23

FCC INFORMATION

This equipment has been tested and found to comply with the limits for a class B digital device, pursuant to Part 15 of the FCC Rules. These limits are designed to provide reasonable protection against harmful interference in a residential installation. This equipment generates uses and can radiate radio frequency energy and, if not installed and used in accordance with the instructions, may cause harmful interference to radio communications.

However, there is no guarantee that interference will not occur in a particular installation. If this equipment does cause harmful interference to radio or television reception, which can be determined by turning the equipment off and on, the user is encouraged to try to correct the interference by one or more of the following measures:

Reorient or relocate the receiving antenna.

Increase the separation between the equipment and receiver.

Connect the equipment into an outlet on a circuit different from that to which the receiver is connected.

- Consult the dealer or an experienced radio/TV technician for help.

Shielded interface cables and A.C. power cord, if any, must be used in order to comply with emission limits.

Changes or modifications not expressly approved by the party responsible for compliance could void the user's authority to operate the equipment.

CE INFORMATION

The product must be installed according to the currently valid installation regulations for EMC to guarantee the designed use and to prevent EMC problems.

The device supplied with this manual is according to the EC, EMC Directive, 2004/108/EC & LVD 2006/95/EC

SAFETY PRECAUTIONS

1. Do not modify the three-prong grounding type monitor power plug in any way.
2. Operate this unit only from the type of power source indicated on the label.
3. Do not block or cover ventilation openings on the back or bottom of the monitor cabinet.
4. Do not place this monitor near a radiator or heating vent.
5. Do not push objects of any kind through cabinet openings. This may result in fire or electrical shock.
6. Before adding attachments always ask a service technician to perform routine safety tests to determine that equipment is in safe operating condition. Ground potential tests should be part of the routine safety check made by the service technician.
7. Do not place monitor on an unstable cart, stand, or shelf where it may fall and injure personnel or damage equipment.

8. Route power cords so that they cannot be walked upon or tripped over. Do not allow anything to rest on the power cord.
9. Do not install monitor in wet areas, or where it may be exposed to rain or water. Do not spill liquid of any kind on the unit.
10. Unplug the power cord from the unit before cleaning the display. Use only a damp cloth. Do not use alcohol, spirits, or ammonia to clean the display. **DO NOT ATTEMPT TO CLEAN THE INTERIOR OF THIS UNIT- THIS ACTION MUST BE PERFORMED BY THE SERVICE TECHNICIAN AS REQUIRED DURING NORMAL MAINTENANCE.**
11. Refer all servicing to qualified service personnel. **REMOVAL OF BACK COVER BY UNAUTHORIZED PERSONNEL MAY EXPOSE THE USER TO DANGEROUS VOLTAGES OR OTHER HAZARDS.**
12. Unplug the unit immediately and notify the service technician.
 - A. If liquid has been spilled into the display or the display has been exposed to rain or water.
 - B. If the unit has been dropped or the cabinet damaged.
 - C. If fuses continue to blow.
 - D. If the power cord is damaged or frayed.
 - E. If a distinct change from normal operation is apparent.

When replacement parts are required, be sure that the service technician uses components specified by the manufacturer which have the same characteristics as the original parts. **UNAUTHORIZED SUBSTITUTIONS MAY RESULT IN FIRE, ELECTRICAL SHOCK OR OTHER HAZARDS.**

Upon completion of any service or repairs, ask the technician to perform safety checks to determine that the equipment is in safe operating condition.

WARNING: SERIOUS SHOCK HAZARDS EXIST WITHIN THE COVERS OF THIS MONITOR. DO NOT OPEN THE COVERS UNDER ANY CIRCUMSTANCES, THERE ARE NO USER SERVICEABLE COMPONENTS INSIDE

1. Scope

This specification is used to define the performance of ADE-117N1, ADE-119N1, ADE-118W1, ADE-121W1 & ADE-124W1 series color LED monitor. This system also supports both video input and PC input. In video input mode, the system can automatically detect the NTSC signal and PAL signal. In PC mode, this system can support up to 1920 x 1080 VESA standard.

The user friendly OSD menu is also provided to make this system easy to operate.

2. Functional Specifications

2.1 Power Supply

The power supply spec is listed below,

AC INPUT

AC power input range : Rated voltage 100 – 240 Vac +/- 10%, 47~63Hz,
2 Amps max.

* Power consumption : 35W max.

* Power efficiency : 80% typical at normal line input and full load

2.2 Video Characteristics

Composite Video (CVBS): 1.0 Vp-p (0.5 – 1.5Vpp), Automatic switching from 75 Ω unbalanced termination to Hi-Z with loop-through operation.

Y/C (S-video): 1.0 Vp-p (0.5 – 1.5Vpp), Automatic switching from 75 Ω unbalanced termination to Hi-Z with loop-through operation.

2.3 PC Input

● VGA Input

Analog RGB: 0.707 Vp-p.

Support VESA Standard Timing

● HDMI Input

HDMI Compatible Interface

Digital Signal: TMDS.

HDCP: HDCP 1.1

2.4 Audio Input

Signal Level: 1.0 Vrms

2.5 Environmental

- **Temperature**

Operating: 0°C to +40°C; 32°F to 104°F

Storage: -20°C to +60°C; -4°F to 140°F

- **Humidity**

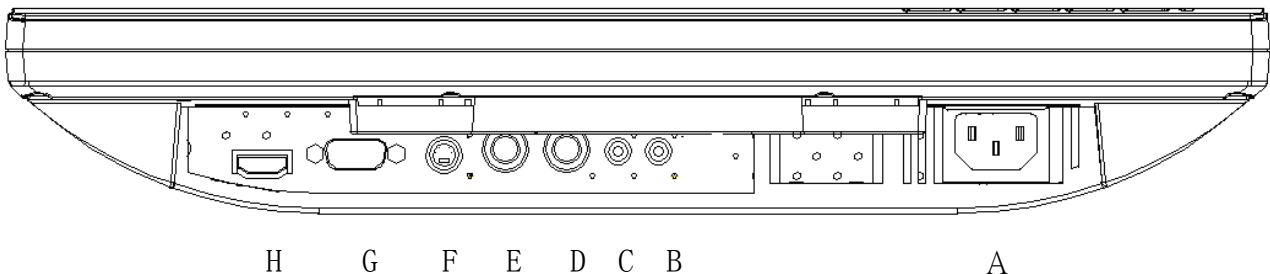
Operating: 10% to 85% (non-condensing)

Storage: 10% to 95% (non-condensing)

2.6 EDID

This series of display support EDID, but does not support DDC2B function.

2.7 Connectors



A. AC INPUT: AC SOCKET

B. AUDIO OUTPUT: Phone Jack, Stereo

C. AUDIO INPUT: Phone Jack, Stereo

D. CVBS OUTPUT: BNC Connector


E. CVBS INPUT: BNC Connector

F. S-VIDEO (Y/C) INPUT: Mini-DIN 4 pins Connector

G. VGA INPUT: D-SUB 15 pins Connector

H. HDMI INPUT: HDMI Connector

Set up sequence

1. **Make sure the power of PC and/or Video source were turned OFF.**
2. **Plug the Video signal or VGA/HDMI cable to monitor.**
3. **Plug the AC power cord onto monitor's AC Socket.**
4. **Turns the PC and/or Video source power ON.**
5. **Press monitor's power button  to turn ON monitor power.**
(Use reverse sequence to teardown the monitor)

3. Controls and indicators

ADE-117N1/ ADE-119N1 MONITOR



A. “ → ” Source button

- Press the button to show source menu. Select CVBS, S-Video, VGA and HDMI input signal

B. “ ▼ ” Down button

- Press the button to scrolling the cursor to desired function.
- Press the button to decrease the value of selected function in sub OSD menu.

C. “ ▲ ” Up button

- Press the button to scrolling the cursor to desired function.
- Press the button to increase the value of selected function in sub OSD menu.

D. “ → ” Menu button

- Press the button to show the OSD main menu.
- As a confirmation key during the OSD operation.

E. “ ⏻ ” Power button

Press the button to turn ON or turn OFF the monitor

F. POWER LED Indication

- Green - Power ON
- LED light off - Power OFF
- Flash Green - Sleep mode (VGA mode only)

ADE-118W1/ADE-121W1/ADE-124W1 MONITOR



A. “” Source button

- Press the button to show source menu. Select CVBS, S-Video, VGA and HDMI input signal

B. “” UP button

- Press the button to scrolling the cursor to desired function.

C. “” Down button

- Press the button to scrolling the cursor to desired function.

D. “” Volume+ button

- Press the button to increase volume
- Press the button to increase the value of selected function in sub OSD menu.

E. “” Volume- button

- Press the buttons to decrease volume
- Press the buttons to decrease the value of selected function in sub OSD menu.

F. “” Menu button

- Press the button to show the OSD main menu.
- As a confirmation key during the OSD operation.

G. “” Power button

Press the button to turn ON or turn OFF the monitor

H. POWER LED Indication

- Green - Power ON
- LED light off - Power OFF
- Flash Green - Sleep mode (VGA mode only)

4. OSD Menu

Hot key :

Quick adjust keys from front panel hot keys :

VOLUME :

ADE-117N1 & ADE-119N1: Press ▲ or ▼ button to select the function and press ▲ / ▼ button to adjust the volume, then press MENU button to exit OSD menu

ADE-118W1/ADE-121W1/124W1: Press ◀ or ▶ button to select the function and press ◀ / ▶ button to adjust the volume, then press MENU button to exit OSD menu



KEY LOCK : Push MENU key for 6 seconds to enable this function



KEY UN-LOCK : Push MENU key for 6 seconds to disable this function.



RUNNING HOURS :

ADE-117N1 & ADE-119N1:

Remove AC power, then push and hold " ⏻ " & " ⏪ " keys simultaneously and plug in AC power to display Running Hours information

ADE-118W1/ADE-121W1/124W1:

Remove AC power, then push and hold " ⏻ " & " ▲ " keys simultaneously and plug in AC power to display Running Hours information



VGA & HDMI mode :

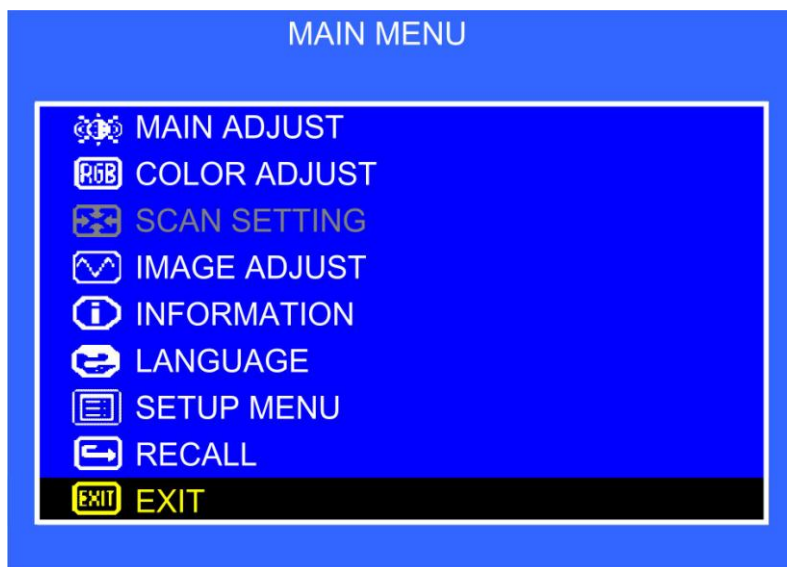
OSD Menu structure :

Use the SOURCE button to select the CVBS, S-VIDEO, VGA or, HDMI, the menu structure within each mode varies, refer to sections below on how to set-up each option.

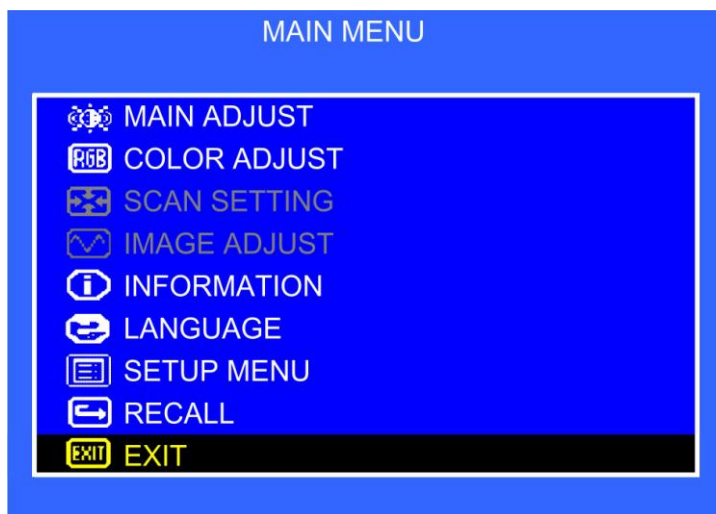
VGA / HDMI mode :

Press the MENU button to bring up the MAIN MENU Page. The following page will appear Press ▲ / ▼ button to select an icon, then Press MENU button to change the values in the sub menu.

VGA MAIN MENU

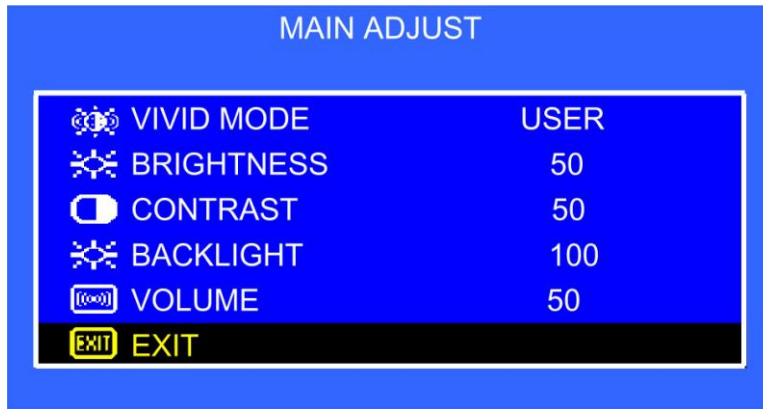


HDMI MAIN MENU





MAIN ADJUST :



1. Press ▲ / ▼ button to select an icon.
2. Press MENU button to select item
3. ADE-117N1 & ADE-119N1: Press ▲ / ▼ button to adjust the value
ADE-118W1/ADE-121W1/124W1: Press ◀ / ▶ button to adjust the value
4. Press MENU button to return



VIVID MODE : Select the VIVID MODE (0~3 and USER)
USER, 0: TEXT, 1: PHOTO, 2: MOVIE, 3: GAME



BRIGHTNESS : Adjust the brightness value



CONTRAST : Adjust the contrast value



BACKLIGHT : Adjust the backlight value



VOLUME : Adjust the volume



EXIT : Press MENU button to return to the main menu



COLOR ADJUST :

Set the color temperature of monitor for the CIE coordinate 9300°k or 6500°k or USER MODE



1. Press ▲ / ▼ button to select an icon
2. Press MENU button to select adjust item
3. ADE-117N1 & ADE-119N1: Press ▲ / ▼ button to adjust the value
ADE-118W1/ADE-121W1/124W1: Press ◀ / ▶ button to adjust the value
4. Press MENU button to return

USER COLOR : Adjust the color temperature



RED : Adjust the RED value for user mode



GREEN : Adjust the GREEN value for user mode



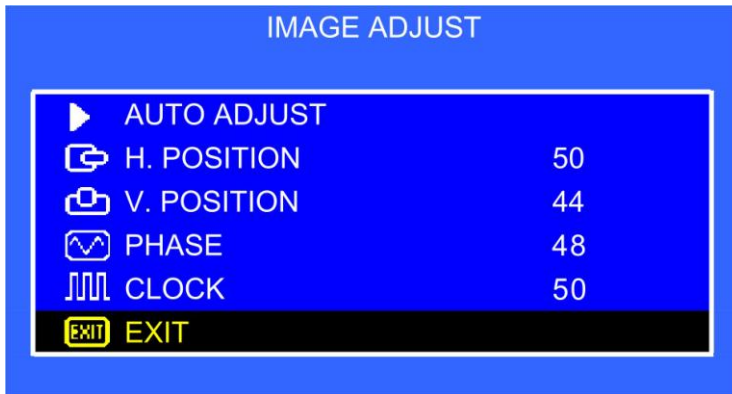
BLUE : Adjust the BLUE value for user mode



EXIT : Press MENU button to return to the main menu



IMAGE ADJUST (VGA ONLY) :



1. Press ▲ / ▼ button to select an icon
2. Press MENU button to select adjust item
3. ADE-117N1 & ADE-119N1: Press ▲ / ▼ button to adjust the value
ADE-118W1/ADE-121W1/124W1: Press ◀ / ▶ button to adjust the value
4. Press MENU button to return



AUTO ADJUST : Press MENU buttons to auto adjust the H. Position, V. Position, Phase, Clock



H. POSITION : Adjust the horizontal position value



V. POSITION : Adjust the vertical position value



PHASE : Adjust the phase value



CLOCK : Adjust the clock value



EXIT : Press MENU button to return to the main menu



INFORMATION :

Press MENU button to see the VGA timing information





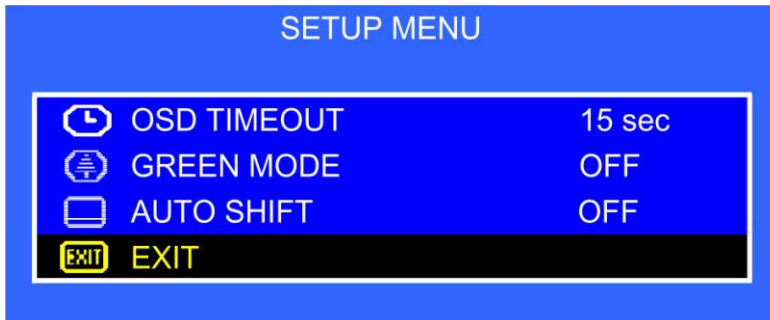
LANGUAGE : Press MENU button to enter the sub-menu



1. Press ▲ / ▼ button to select language
2. Press MENU button to enter



SETUP MENU :



1. Press ▲ / ▼ button to select an icon
2. Press MENU button to select adjust item
3. ADE-117N1 & ADE-119N1: Press ▲ / ▼ button to adjust the value
ADE-118W1/ADE-121W1/124W1: Press ◀ / ▶ button to adjust the value
4. Press MENU button to return



OSD TIMEOUT : Adjust the OSD Show time (5 ~120 sec)



GREEN MODE : Off or On (5 min~10 min)

OFF – No function

ON – Screen will dim the back light to 80% within (5 min to 10 min)

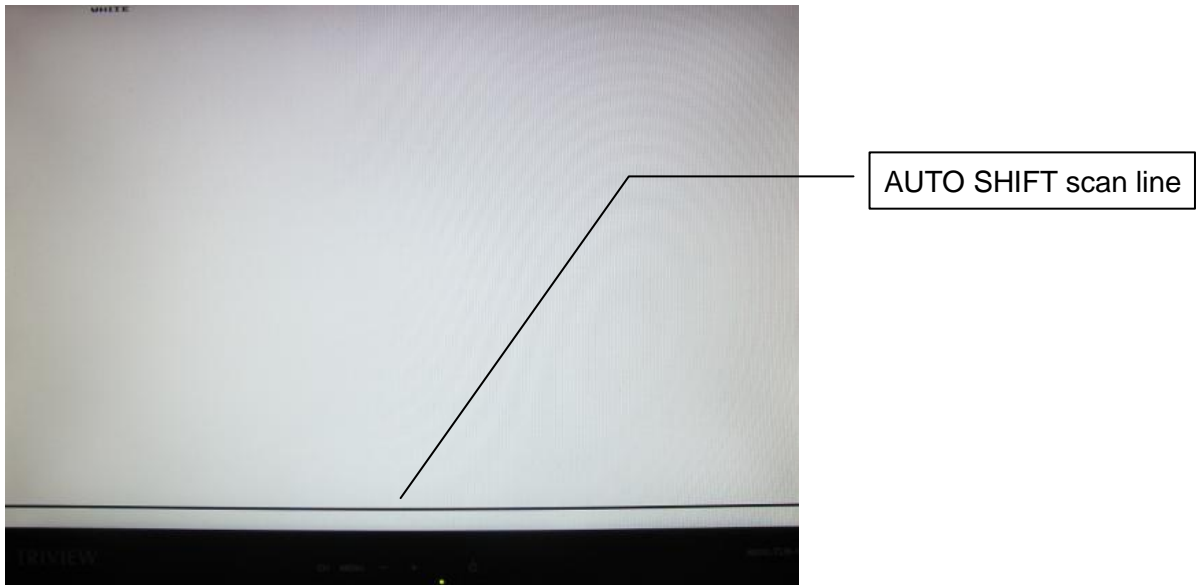
Screen will back to normal when any button is pressed



AUTO SHIFT : Adjust AUTO SHIFT ON/OFF

OFF – No Function

ON – Every one hour there will one scan line from top to bottom (Every 1 second down one scan line) to prevent panel image sticking



EXIT : Press MENU button to return to the main menu

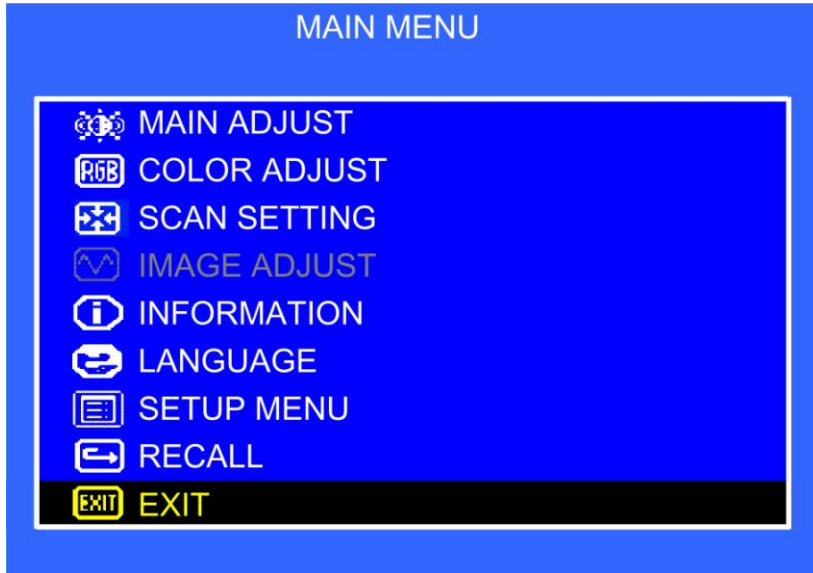


RECALL :

Brightness, Contrast, Volume, Vivid Mode, OSD Timeout, Green Mode, Auto Shift return to default Value

Video mode (CVBS & S-Video) :

Press the Menu button to bring up the MAIN MENU Page, the following page will appear. Press ▲ / ▼ button to select an icon, then Press MENU button to change the values in the sub menu.





MAIN ADJUST :

MAIN ADJUST		
	VIVID MODE	USER
	BRIGHTNESS	50
	CONTRAST	50
	SHARPNESS	49
	SATURATION	50
	TINT	50
	BACKLIGHT	100
	VOLUME	50
	EXIT	

1. Press ▲ / ▼ button to select an icon
2. Press MENU button to select item
3. ADE-117N1 & ADE-119N1: Press ▲ / ▼ button to adjust the value
ADE-118W1/ADE-121W1: Press ◀ / ▶ button to adjust the value
4. Press MENU button to return



VIVID MODE : Select the VIVID MODE (0~3 and USER)
USER, 0: TEXT, 1: PHOTO, 2: MOVIE, 3: GAME



BRIGHTNESS : Adjust the brightness value



CONTRAST : Adjust the contrast value



SHARPNESS : Adjust Image sharpness



SATURATION : Adjust Image saturation



TINT : adjust Image tint (NTSC only)



BACKLIGHT : Adjust the backlight value



VOLUME : Adjust the volume

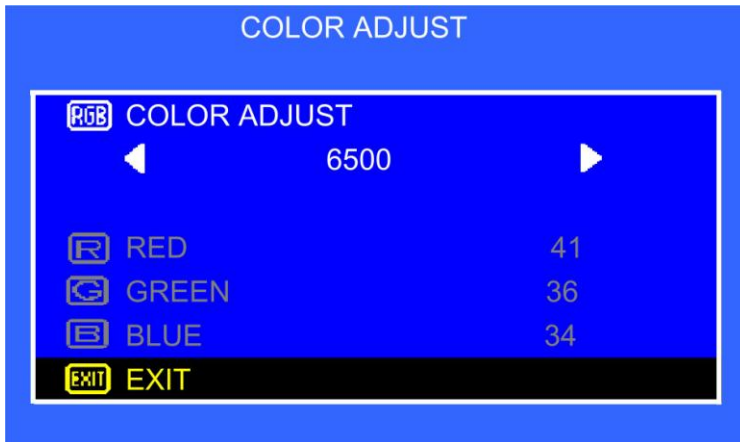


EXIT : Press MENU button to return to the main menu



COLOR ADJUST :

Set the color temperature of the monitor for the CIE coordinate 9300°k or 6500°k or USER MODE.



1. Press ▲ / ▼ button to select an icon
2. Press MENU button to select adjust item
3. ADE-117N1 & ADE-119N1: Press ▲ / ▼ button to adjust the value
ADE-118W1/ADE-121W1/124W1: Press ◀ / ▶ button to adjust the value
4. Press MENU button to return

USER COLOR : Adjust the color temperature



RED : Adjust the RED value for user mode



GREEN : Adjust the GREEN value for user mode



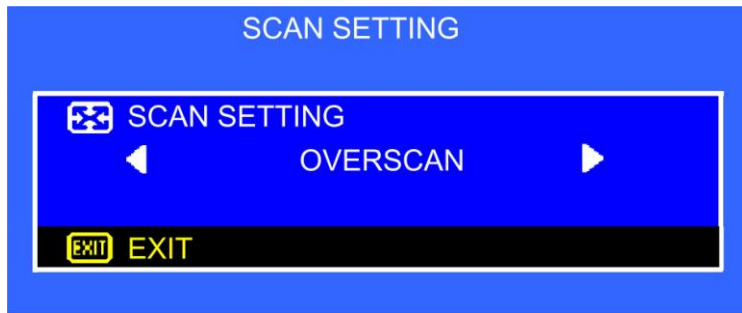
BLUE : Adjust the BLUE value for user mode



EXIT : Press MENU button to return to the main menu



SCAN SETTING :

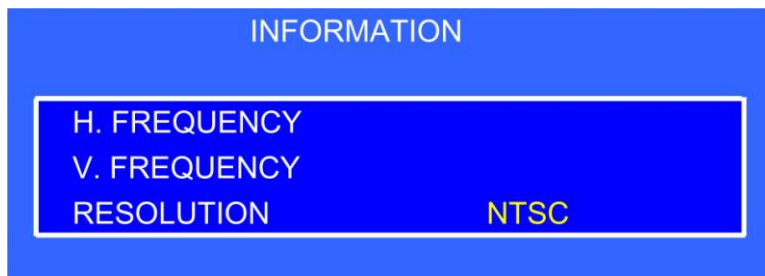


1. Press MENU button to select the sub-menu
2. ADE-117N1 & ADE-119N1: Press ▲ / ▼ button to select Scan Setting state
ADE-118W1/ADE-121W1/124W1: Press ◀ / ▶ button to select Scan Setting state
3. Press MENU button to return



INFORMATION :

Press MENU button to get the timing information



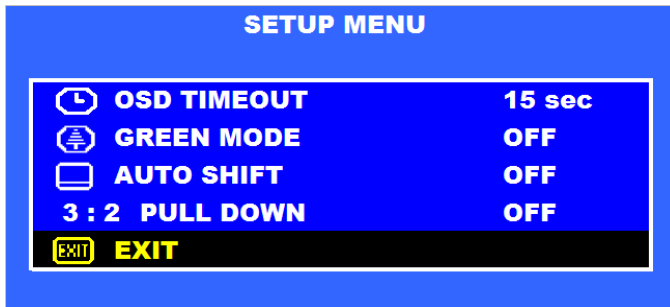
LANGUAGE : Press MENU button to enter the sub-menu



1. Press ▲ / ▼ button to select language
2. Press MENU button to enter



SETUP MENU :



1. Press ▲ / ▼ button to select an icon
2. Press MENU button to select adjust item
3. ADE-117N1 & ADE-119N1: Press ▲ / ▼ button to adjust the value
ADE-118W1/ADE-121W1/124W1: Press ◀ / ▶ button to adjust the value
4. Press MENU button to return



OSD TIMEOUT : Adjust the OSD Show time (5 ~120 sec)



GREEN MODE : Off or On (5 min~10 min)

OFF – No function

ON – Screen will dim the back light within (5 min to 10 min)

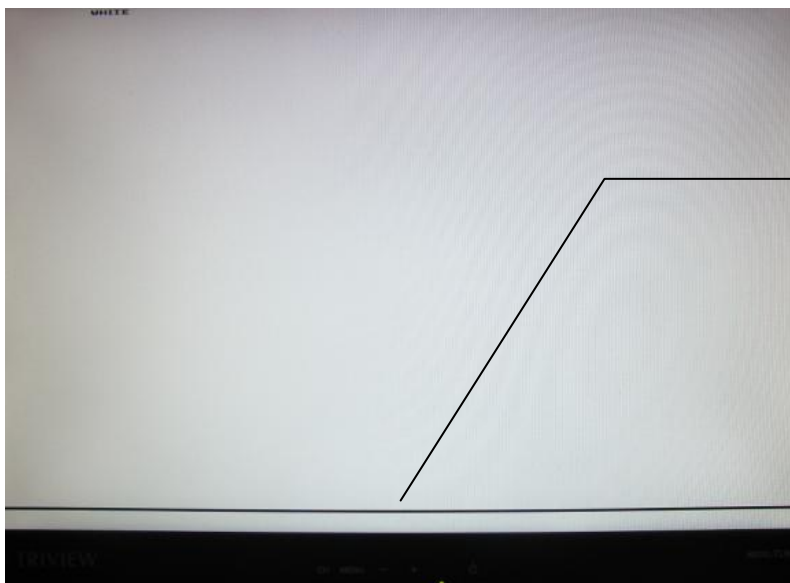
Screen will back to normal when any button is pressed



AUTO SHIFT : Adjust AUTO SHIFT ON/OFF

OFF – No Function

ON – Every one hour there will one scan line from top to bottom (Every 1 second down one scan line) to prevent panel image sticking



AUTO SHIFT scan line

3 : 2 PULL DOWN

3:2 PULL DOWN : Select ON/OFF of 3:2 pull down



EXIT : Press MENU button to return to the main menu



RECALL :

Brightness, Contrast, Sharpness, Saturation, Tint, Volume, Vivid Mode, OSD
Timeout, Green Mode, Auto Shift return to default Value

5. Regulatory Agency

5.1 Safety Approvals

This series design shall meet the standards of the following domestic and foreign agencies:

CE LVD : EN60950

5.2 EMI/EMS Emission Approvals.

This series design shall meet following EMI/EMS specifications:

FCC Compliance: FCC Rules and Regulations, Part 15, subpart B, Class B.

CE COMPLIANCE: EN55022 class B, EN55024, EN50130-4.

6. Mechanical

6.1 Cabinet

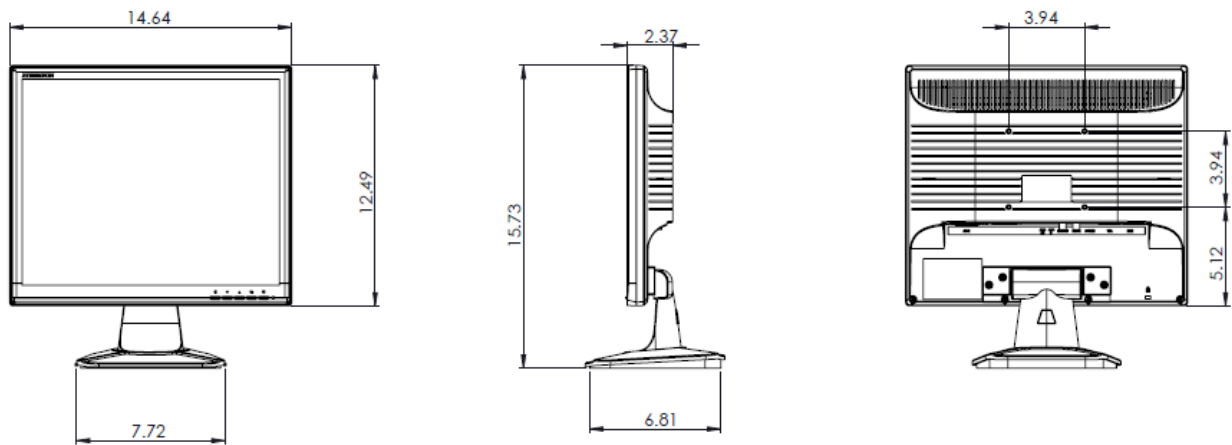
Material: Plastic

Finish: Black

6.2 Dimensions (Physical)

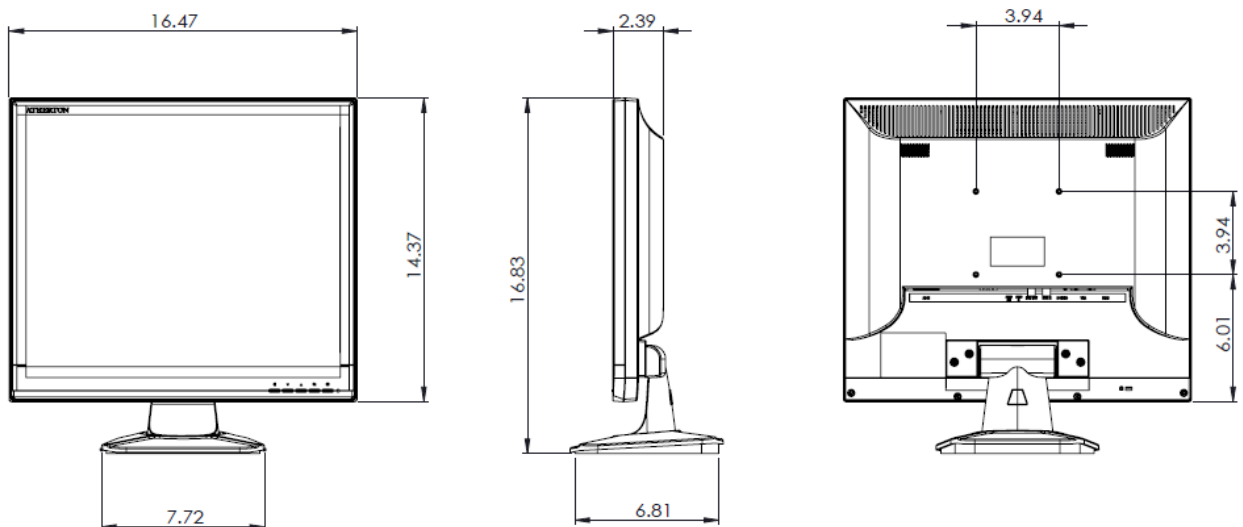
ADE-117N1

Unit: inch



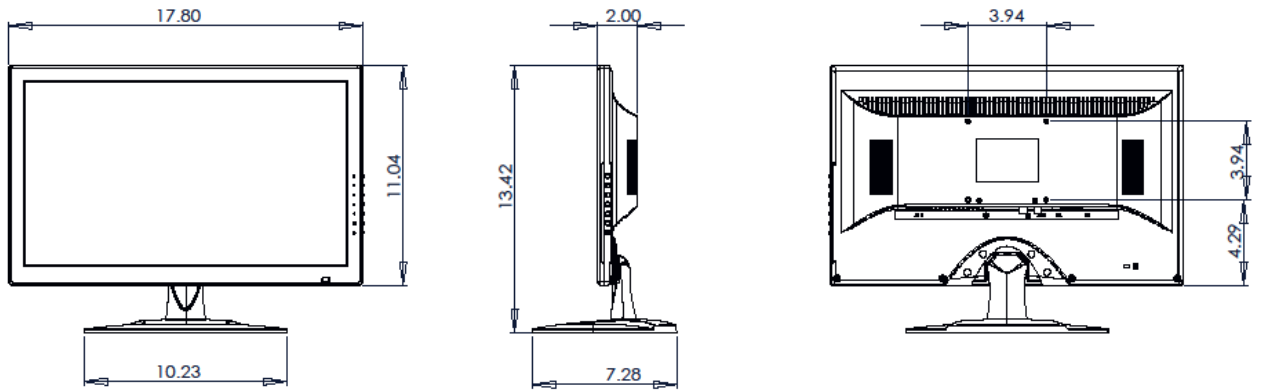
ADE-119N1

Unit: inch



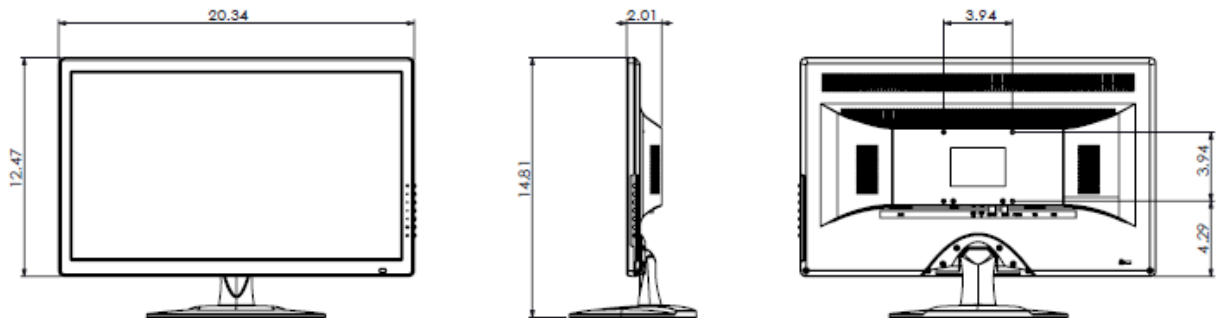
ADE-118W1

Unit: inch



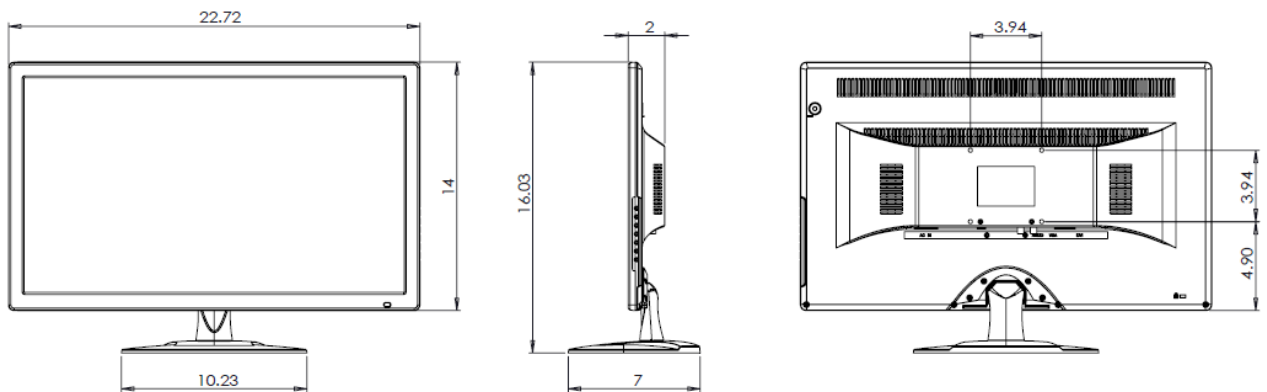
ADE-121W1

Unit: inch



ADE-124W1

Unit: inch



- Weight:

Model	kgs	lbs
ADE-117N1	2.9	6.39
ADE-119N1	3.6	7.94
ADE-118W1	2.75	6.06
ADE-121W1	3.43	7.56
ADE-124W1	4.8	10.58

6.3 Dimension (Packing):

- Size

Model	Unit	W	L	H
ADE-117N1	mm	450	138	467
	Inch	17.72	5.43	18.39
ADE-119N1	mm	464	121	585
	Inch	18.27	4.76	23.03
ADE-118W1	mm	496	105	390
	Inch	19.53	4.13	15.35
ADE-121W1	mm	565	116	420
	Inch	22.24	4.57	16.54
ADE-124W1	mm	626	116	453
	Inch	24.65	4.57	17.83

- Weight:

Model	kgs	lbs
ADE-117N1	3.71	8.18
ADE-119N1	4.44	9.79
ADE-118W1	3.8	8.38
ADE-121W1	4.48	9.88
ADE-124W1	6.1	13.45

Atherton Electronics Corp.

www.athertonelectronics.com

29350 Hunco Way, Ste. A, Lake Elsinore, CA 92530