

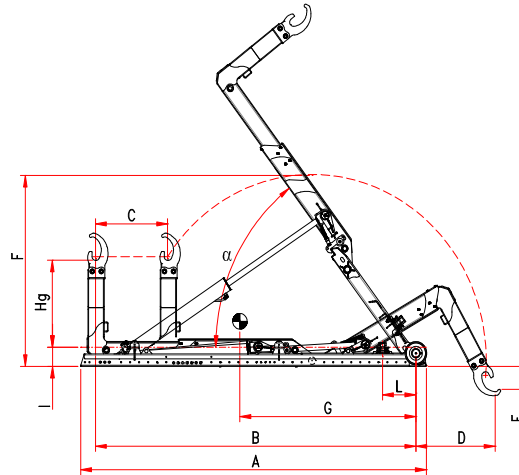


b.o.b. Sistemi Idraulici S.p.A.

unilift®

COMPANY WITH
QUALITY SYSTEM
CERTIFIED BY DNV GL
= ISO 9001 =

HOOKLIFT « T 26.000 MS LOW ARM »



MODEL	T 26.000 XXC MS LOW ARM	T 26.000 XC MS LOW ARM	T 26.000 C MS LOW ARM	T 26.000 N MS LOW ARM	T 26.000 NL MS LOW ARM	T 26.000 L MS LOW ARM
Hg	35,63" (905 mm)	35,63" (905 mm)	35,63" (905 mm)	35,63" (905 mm)	35,63" (905 mm)	35,63" (905 mm)
A	146,85" (3.730 mm)	150,78" (3.830 mm)	158,66" (4.030 mm)	170,44" (4.330 mm)	178,34" (4.530 mm)	186,22" (4.730 mm)
B	131,88" (3.350 mm)	139,76" (3.550 mm)	147,63" (3.750 mm)	159,44" (4.050 mm)	137,32" (4.250 mm)	175,19" (4.450 mm)
C	27,55" (700 mm)	31,5" (800 mm)	31,5" (800 mm)	31,5" (800 mm)	31,5" (800 mm)	31,5" (800 mm)
D	38,58" (980 mm)	34,564" (880 mm)	26,77" (680 mm)	36,61" (930 mm)	28,74" (730 mm)	2,86" (530 mm)
E	9" (228 mm)	9" (228 mm)	9" (228 mm)	7,5" (190 mm)	7,5" (190 mm)	7,5" (190 mm)
F	77,95" (1.980 mm)	77,95" (1.980 mm)	77,95" (1.980 mm)	88,38" (2.245 mm)	88,38" (2.245 mm)	88,38" (2.245 mm)
G	73,22" (1.860 mm)	76,77" (1.950 mm)	83,07" (2.110 mm)	88,97" (2.260 mm)	94,09" (2.390 mm)	99,21" (2.520 mm)
I	7,87" (200 mm)	7,87" (200 mm)	7,87" (200 mm)	7,87" (200 mm)	7,87" (200 mm)	7,87" (200 mm)
L	10,62" (270 mm)	14,56" (370 mm)	22,44" (570 mm)	18,5" (470 mm)	26,37" (670 mm)	26,37" (670 mm)
Weight*	2.570 lb (1.165 Kg)	2.620 lb (1.190 Kg)	2.680 lb (1.215 Kg)	2.765 lb (1.255 Kg)	2.820 lb (1.280 Kg)	2.875 lb (1.305 Kg)
α	55°	53°	50°	53°	49°	45°
Container min. max.	12' - 13' (3.657-3.962 mm)	12' - 14' (3.657-4.267 mm)	13' - 15' (3.962-4.572 mm)	13' - 16' (3.962-4.876 mm)	14' - 16' (4.267-4.876 mm)	14' - 17' (4.267-5.181 mm)
LIFTING CAPACITY	26.000 lb (11.820 Kg)	26.000 lb (11.820 Kg)	26.000 lb (11.820 Kg)	26.000 lb (11.820 Kg)	26.000 lb (11.820 Kg)	26.000 lb (11.820 Kg)
TIPPING CAPACITY	26.000 lb (11.820 Kg)	26.000 lb (11.820 Kg)	26.000 lb (11.820 Kg)	26.000 lb (11.820 Kg)	26.000 lb (11.820 Kg)	26.000 lb (11.820 Kg)

***Weight: basic hooklift weight without kit and options**

The technical details shown in this sheet are indicative and can be changed by the builder without prior notice

B.O.B. Sistemi Idraulici S.p.A. – Regione Oltre Rea, 32 – 12060 Monchiero (CN) - Italia

P. I.V.A. 00496180043 - Tel.: +39 (0173) 780002/3 – Fax: +39 (0173) 780004

Internet: www.bobspa.com - E-mail: info@bobspa.com