



DERO
A PLAYCORE Company

We know bike parking.
Inside and out.





CONTENTS

2 BIKE RACKS

- 3 Hoop Rack
Hoop Rack Heavy Duty
Swerve Rack
Bike Hitch
- 4 Round Rack
Arc Rack
Downtown Rack
- 5 Type Rider™ Racks
Cycle Dock™
- 7 Bike Bike Rack
Helix Rack
Recycle Racks
- 8 Campus Rack
- 9 Rolling Rack
Broadway Rack
Hi Roller Rack

VERTICAL PARKING

- 11 Ultra Space Saver Squared
Ultra Space Saver
- 12 Bike File
Track Rack
Ultra Space Saver Single

2-TIER PARKING

- 14 Dero Decker
Dero Duplex

ON-STREET PARKING

- 15 Cycle Stall Basic
Cycle Stall Elite

CUSTOM RACKS

- 17 Full Custom Racks
Logo Racks
Image Infusion

SPECIALTY BIKE RACKS

- 18 Alley Rack™
Switchback™
Wall Rack
Bike Hook Solo
- 19 U-Lockit™
Event Rack
Compact Rack
Meter Hitch
Lock Dock

20 PUBLIC BIKE REPAIR

- 20 Air Kit 2
Air Kit 3
- 21 Fixit
Tool Kit

22 BIKE SHELTERS

- 23 Kolo Shelter
Vizor™ Shelter
Cycle Station
- 24 Bike Haven
Pocket Shelter

25 BIKE LOCKERS

26 DERO ZAP



Need help managing your biking and walking commuter program? Learn about Dero ZAP, our automated commuter tracking system.

27 PRODUCT OPTIONS

28 SITE FURNISHINGS



HELPFUL HINTS

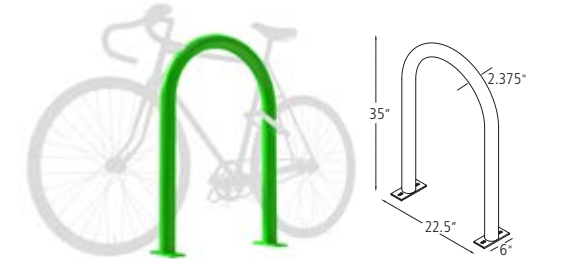
Watch for the lightbulb icon throughout this catalog for a series of tips and useful information to help you plan your bike parking project.

For more resources and a more complete, downloadable bike parking guide visit our website www.dero.com

BIKE RACKS



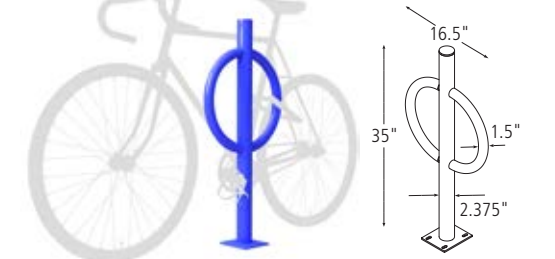
HOOP RACK The Hoop Rack is a proven design that provides high security and easy bike parking. The Hoop Rack uses thick pipe construction.
Parks 2 bikes



HOOP RACK HEAVY DUTY For added security and peace of mind, the Hoop Rack Heavy Duty uses a larger, thicker pipe than our standard Hoop Rack.
Parks 2 bikes



SWERVE RACK The Swerve Rack supports the bicycle at two points and allows for the wheel and frame to be secured using a u-style bike lock.
Parks 2 bikes



BIKE HITCH The Bike Hitch uses thick tube construction and a full radius bend of the ring, making it extremely difficult to cut with a pipe cutter.
Parks 2 bikes



GOOD BIKE FRAME SUPPORT



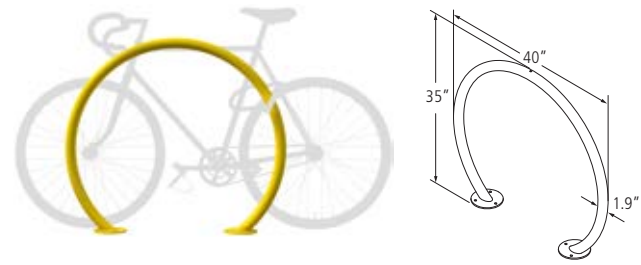
GOOD
Racks that support the frame in at least two places are ideal.



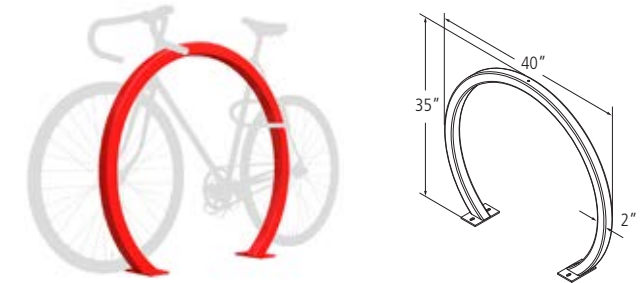
BAD
Many standard "grid-style" racks support only the wheel, leaving the bicycle vulnerable to damage – hence the nickname "wheel bender."



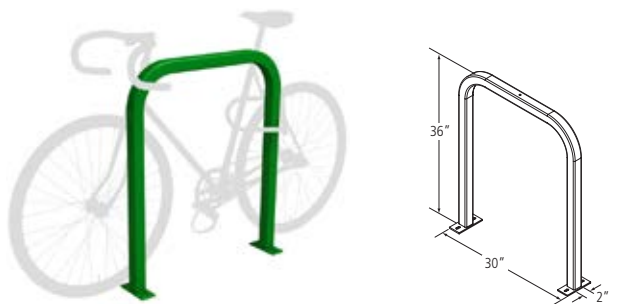
MEH...
Wave style racks are not optimal for bicyclists because they do not provide two points of contact with the frame.



ROUND RACK Clean lines and simple functionality make the Dero Round Rack a welcome addition to bike parking.
Parks 2 bikes



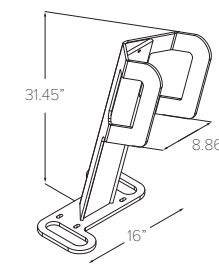
ARC RACK Square tubing provides function and style with clean geometric lines and resistance to pipe-cutters.
Parks 2 bikes



DOWNTOWN RACK The Downtown Rack uses thick, square-tube construction that cannot be cut with a pipe cutter.
Parks 2 bikes



NEW



Patent Pending

CYCLE DOCK™ With unassuming wheel stops at its base, the Cycle Dock™ offers three points of contact for extra bike stability.
Parks 2 bikes

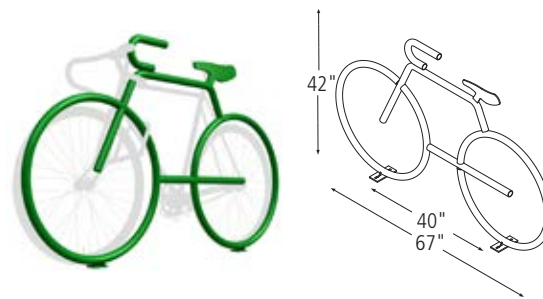
NEW



TYPE RIDER™ RACKS These laser cut, hand welded bike racks can be made to spell out a word, brand name, and even hashtag.
Parks 2 bikes

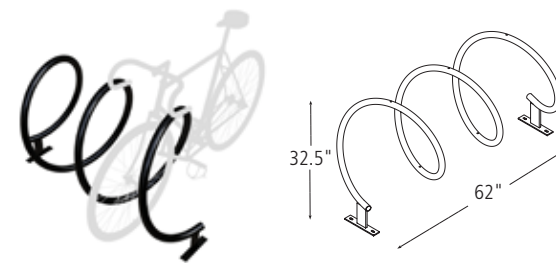


Bike Hitch



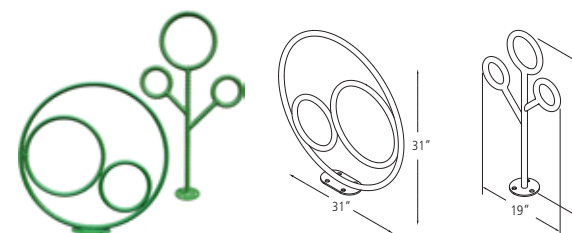
BIKE BIKE RACK The Bike Bike Rack is an eye-catching, functional piece of street art. It welcomes people on bikes and provides them a secure, convenient place to park.

Parks 2-4 bikes



HELIX RACK The Helix Rack is an attractive, double-sided, space efficient bike rack. The curve and pitch of the Helix also makes it nearly impossible for thieves to cut with a pipe cutter.

Parks 6 bikes



RECYCLE RACKS Take green to the next level with Recycle Racks. The Recycle Racks' Tree and Circles forms attract the eye and provide great support for bicycles.

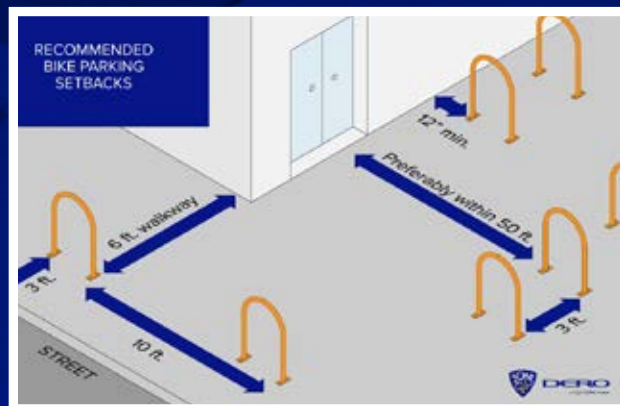
Parks 2 bikes











RACK PLACEMENT

Place racks near your front entrance for greater visibility and to reduce theft.





Refer to the diagram shown here for other recommended bike rack setbacks. For more detailed information read our bike parking guide available at www.dero.com.








	S3 64" Parks 3 bikes
	S4 89" Parks 4 bikes
	S5 114" Parks 5 bikes
	S6 139" Parks 6 bikes
	D5 64" Parks 5 bikes
	D7 89" Parks 7 bikes
	D9 114" Parks 9 bikes
	D11 139" Parks 11 bikes





CAMPUS RACK The design of the Campus Rack supports the frame of the bike while keeping the fork from twisting. The result is convenient, orderly bike parking.
Parks 3-11 bikes

	RR2H 38" 5 Bikes
	RR3H 63" 7 Bikes
	RR4H 87" 9 Bikes
	RR5H 111" 11 Bikes

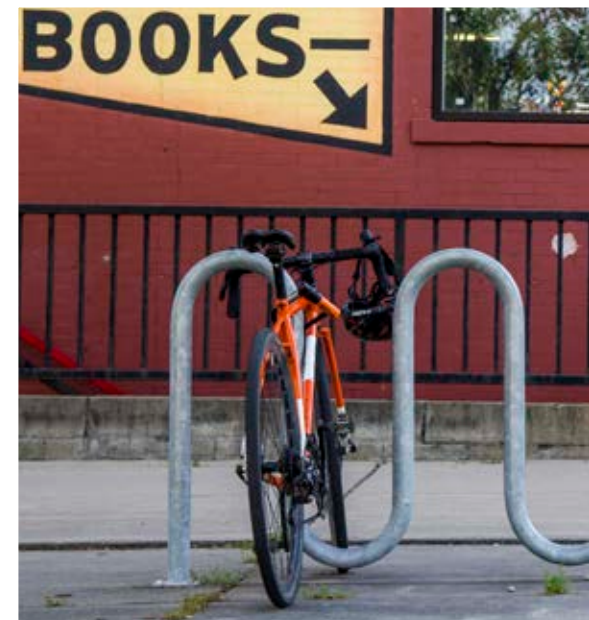
ROLLING RACK The Rolling Rack uses thick pipe construction and allows for one of the wheels and frame to be secured using a u-style bike lock.
Parks 5-11 bikes

	BR2H 60" 5 Bikes
	BR3H 100" 7 Bikes
	BR4H 139" 9 Bikes

BROADWAY RACK The Broadway Rack is a great fit on Broadway or in areas where maximum security is a top priority.
Parks 5-9 bikes

	Hi2H 42" 4 Bikes
	Hi3H 66" 5 Bikes
	Hi4H 90" 6 Bikes
	Hi5H 114" 7 Bikes

HI ROLLER RACK By adding an extra bend to a rolling-style rack, the Hi Roller provides a much greater degree of bicycle support than its purely vertical counterpart.
Parks 4-7 bikes



VERTICAL BIKE PARKING

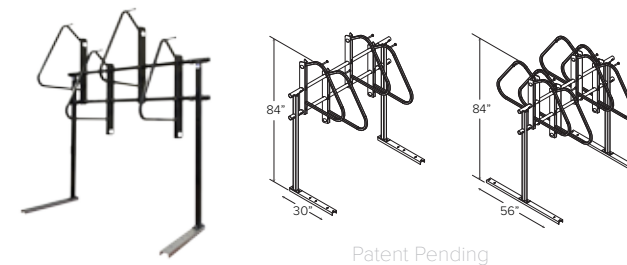


Ultra Space Saver

Ultra Space Saver Squared

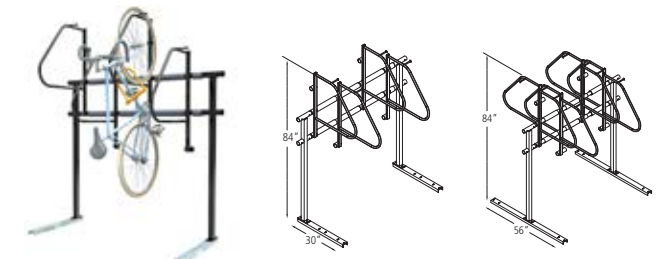


NEW



ULTRA SPACE SAVER SQUARED Adjustable sliding arms make the Ultra Space Saver Squared easy for customers to best utilize their space. Square tubing also increases security of the rack.

Parks 1 bike per arm



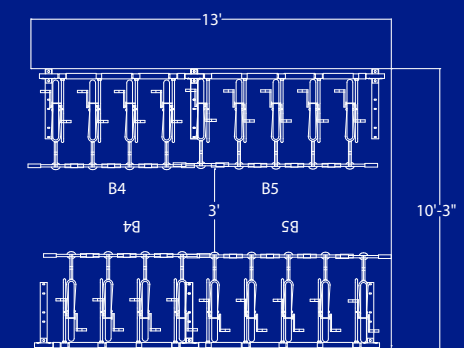
ULTRA SPACE SAVER The Ultra Space Saver is an easy to install, modular system. It can be made to fit in nearly any space. The double-sided Ultra Space Saver parks more than double the capacity of a standard bike rack.

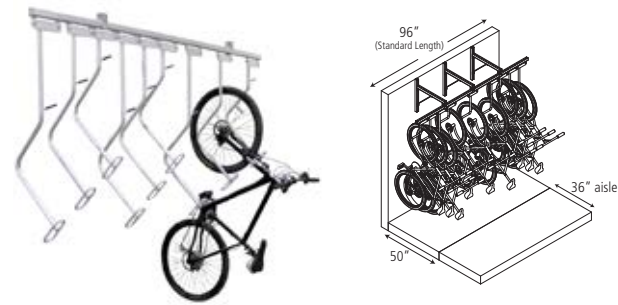
Parks 1 bike per arm



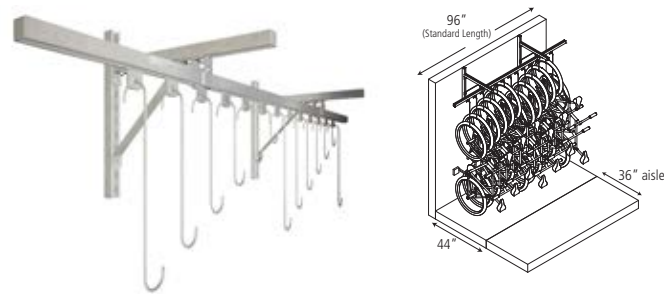
FREE CAD LAYOUTS

Dero can help you maximize your bike parking. Just provide us with the dimensions of your space, being sure to note the presence of doors, pipes, or other obstructions then we will provide a free CAD layout that maximizes bike parking efficiency.

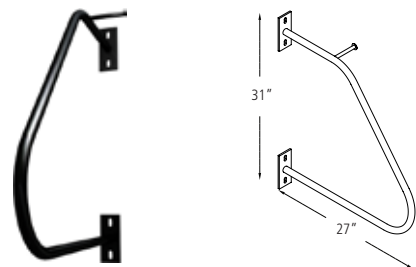




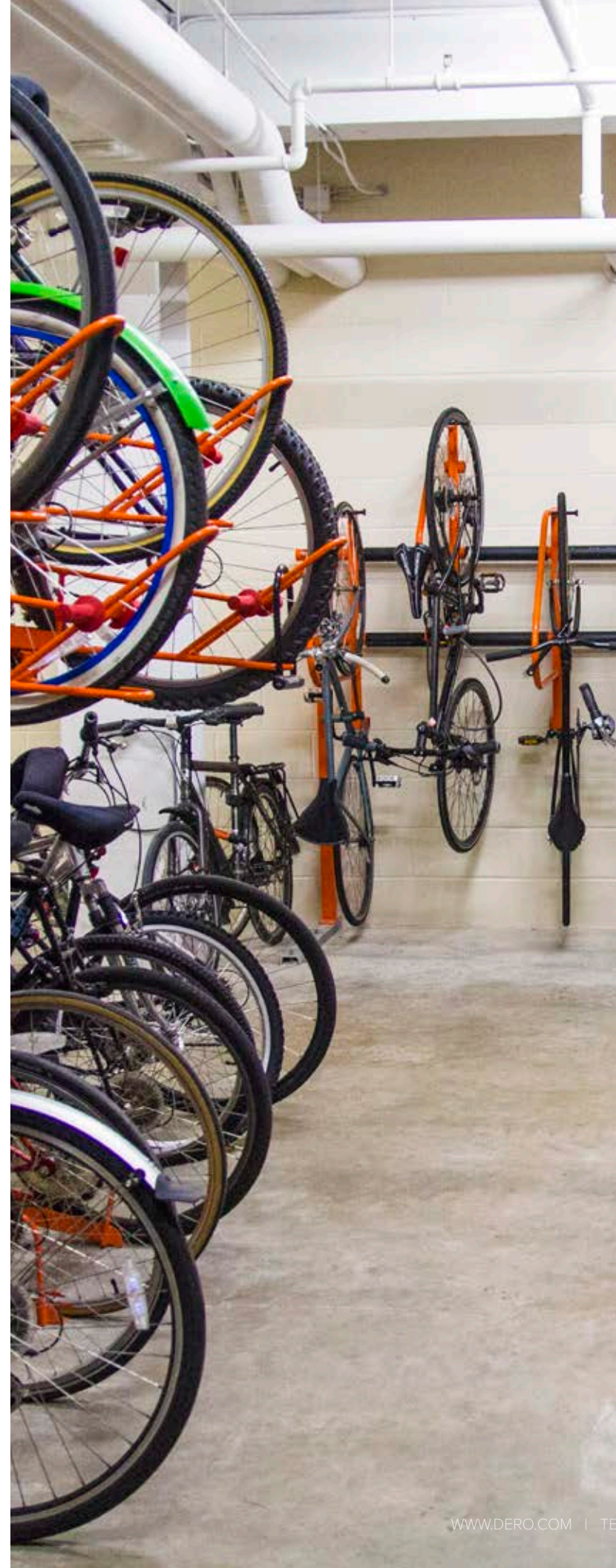
BIKE FILE Sturdy sliding hangers allow 9 bikes to be securely stored in an 8-foot section while allowing for easy loading and unloading of bikes. U-lock compatible.
 Parks 9 bikes per section



TRACK RACK The Track Rack's unique staggered, sliding hook design creates the greatest parking efficiency while still providing easy access to any particular bike. Not lockable.
 Parks 13 bikes per section

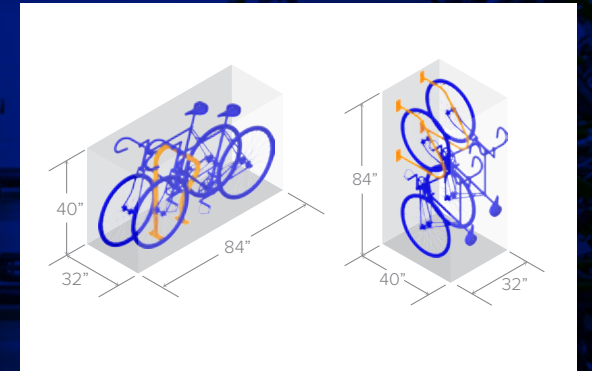


ULTRA SPACE SAVER SINGLE U-lock compatibility makes this rack great for property managers as well for home storage use. Quick installation only requires 4 anchors drilled into the wall.
 Parks 1 bike

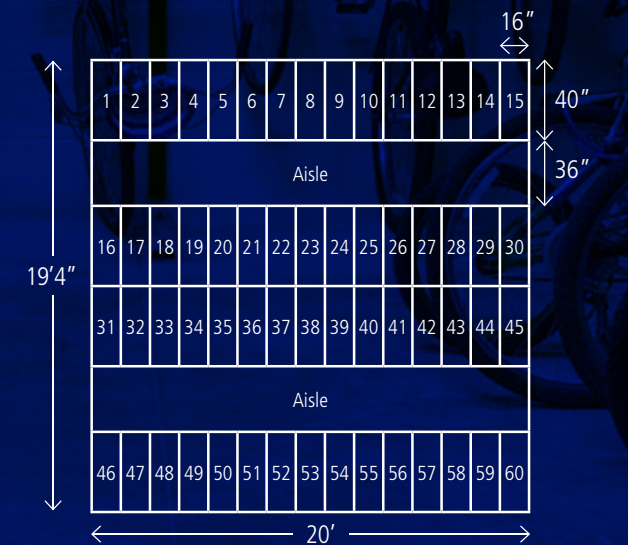


DOUBLE CAPACITY

Using vertical or two-tiered parking systems will effectively double the amount of bikes you can fit in any space. In tight spaces vertical parking may be the only option. Dero offers free CAD layouts to help you maximize your bike parking efficiency.



As a rough guideline, when using a vertical bike parking system a 20' x 20' space can accommodate around 60 bikes.



Looking for a few more pointers? Access how-to videos for individual products on our website at www.dero.com



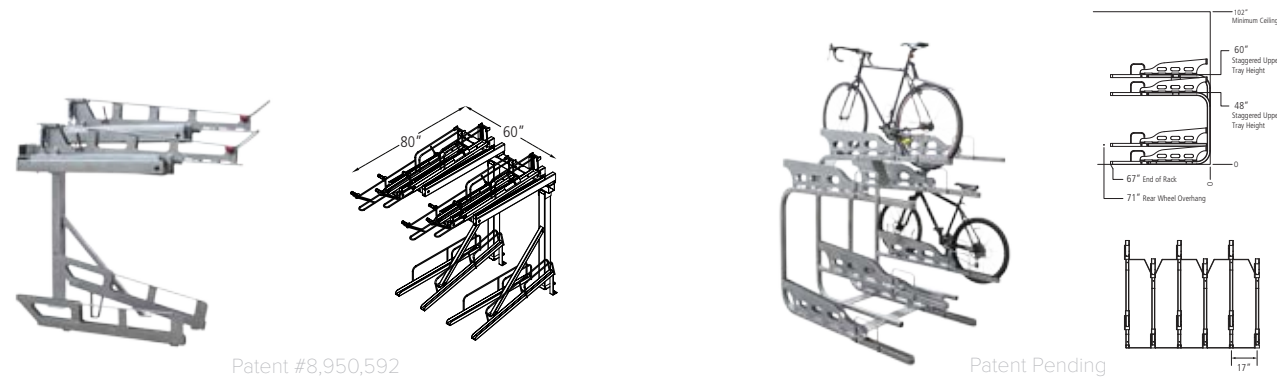
Need help managing your biking/walking commuter program? Learn about Dero ZAP, our automated commuter tracking system, on page 26.



2 TIER PARKING



ON STREET PARKING



Patent #8,950,592

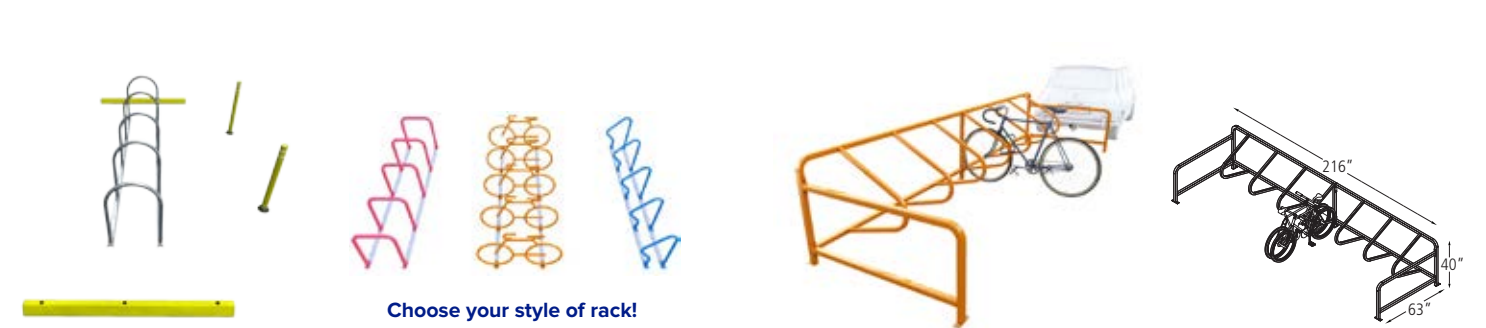
Patent Pending

DERO DECKER Unlike other two-tier systems our lift-assist top trays slide down inches from the ground, thus requiring only minimal lifting of the bike into the tray.

Parks 1 bike per tray

DERO DUPLEX Sturdy trays with high sides keep bikes from slipping off while loading or unloading, and also make the Duplex compatible with most standard u-locks; minimum 3 trays.

Parks 1 bike per tray



Choose your style of rack!

CYCLE STALL BASIC The Cycle Stall Basic kit covers the needs of cities and businesses that want to provide an on-street bike corral at a low cost and minimal changes to infrastructure.

Parks 10+ bikes

CYCLE STALL ELITE The Cycle Stall Elite's frame is built from rugged, impact resistant, two inch steel. It provides a physical barrier from traffic, while including racks with optimum frame support and security. We can customize this rack with your logo or special shape.

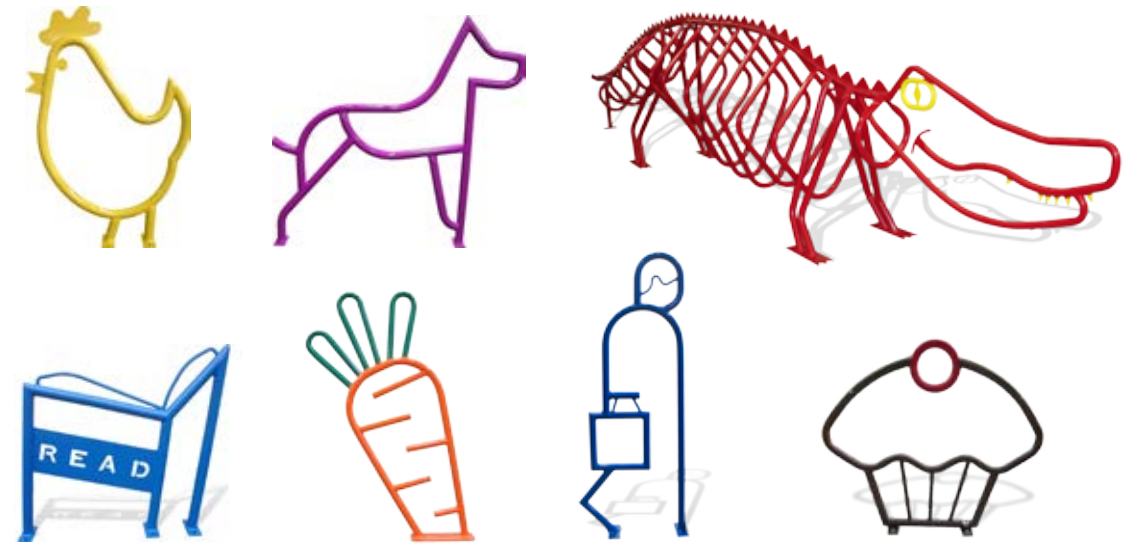
Parks 14 bikes

CUSTOM BIKE RACKS



FULL CUSTOM DESIGNS

Create imaginative bike racks that combine aesthetics and high security parking – or choose from one of our existing designs.



LOGO RACKS

Eye-catching and functional, laser-cut logo bike racks create enduring visibility for your brand.

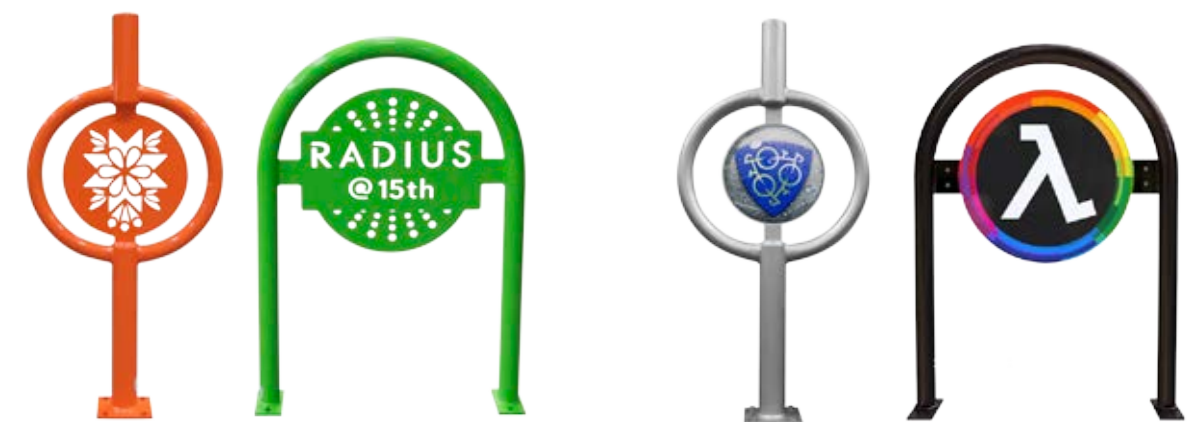


IMAGE INFUSION

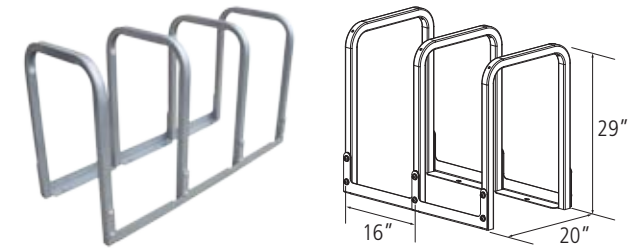
Turn your bike racks into durable, weather-resistant canvases with our unique full-color powder coat process.



SPECIALTY BIKE RACKS



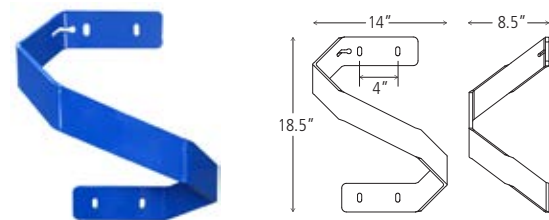
NO MORE WHEELBENDERS!



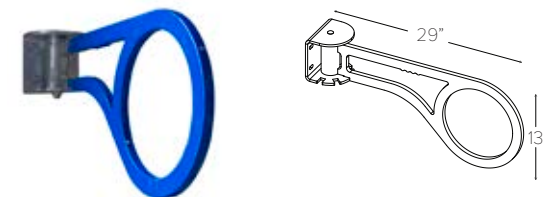
U-LOCKIT™ Perfect for smaller applications and short-term parking at schools, churches, and small businesses. Ships flat, easy assembly.
Parks 2 bikes per arm



NEW

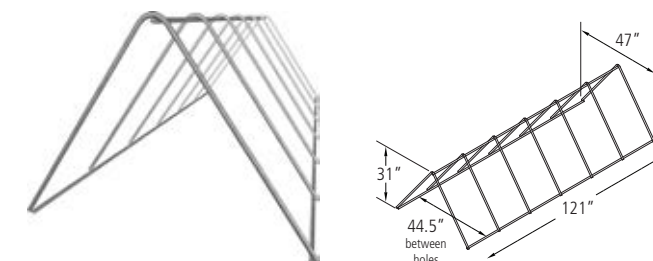


SWITCHBACK™ The Switchback™ Rack allows for horizontal bike parking along a wall when your space is limited. An ideal rack for urban settings where space is at a premium.
Parks 1 bike



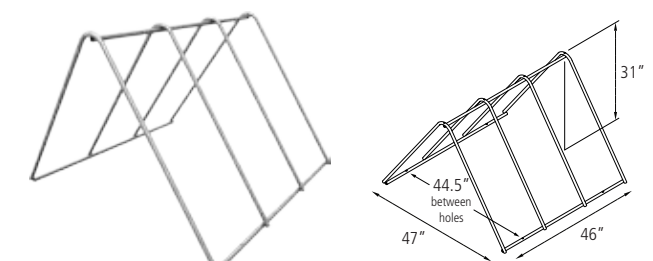
Patent Pending

ALLEY RACK™ The Alley Rack's arm swings a full 180°, offering a variety of locking positions to accommodate for limited space, and its 5/8" thick steel construction provides a strong deterrent to would-be thieves.
Parks 2 bikes



Patent #D583,716S

EVENT RACK The Event Rack is an innovative design that addresses the needs of any game, festival, or event requiring temporary and secure bike parking. It is easily moveable, stackable, and requires no assembly. U-lock compatible.
Parks 14 bikes



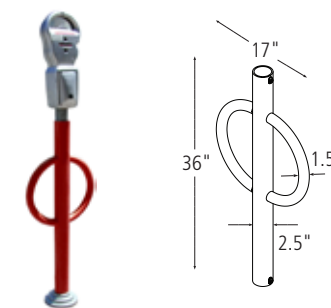
COMPACK RACK The Compack Rack is a portable, stackable, and u-lock compatible rack with an 8 bike capacity. The Compack Rack is well suited for children's bikes at parks and schools.
Parks 8 bikes



WALL RACK Bike owners appreciate the Wall Rack's rubber coating which keeps bikes from getting scratched. Two bikes can be hung up and locked securely, as the Wall Rack is fully U-Lock compatible.
Parks 2 bikes

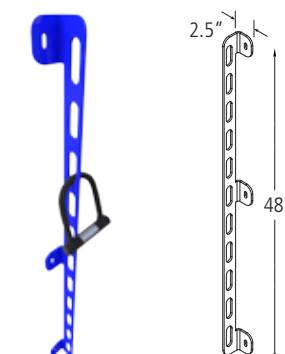


BIKE HOOK SOLO The Bike Hook Solo provides a simple, space-efficient way to store and lock your bike. It includes all necessary hardware for mounting to the wall and an integrated 4 foot security cable to help keep your bike secure.
Parks 1 bike



Patent #D620,845S

METER HITCH Based on our popular Bike Hitch, the Meter Hitch re-uses existing parking meter poles to serve a dual parking purpose.
Parks 2 bikes



LOCK DOCK The Dero Lock Dock will keep your commuters' locks readily available and eliminate the need for them to be carried back and forth everyday.



PUBLIC BIKE REPAIR

Hanger arms accommodate most types of bikes

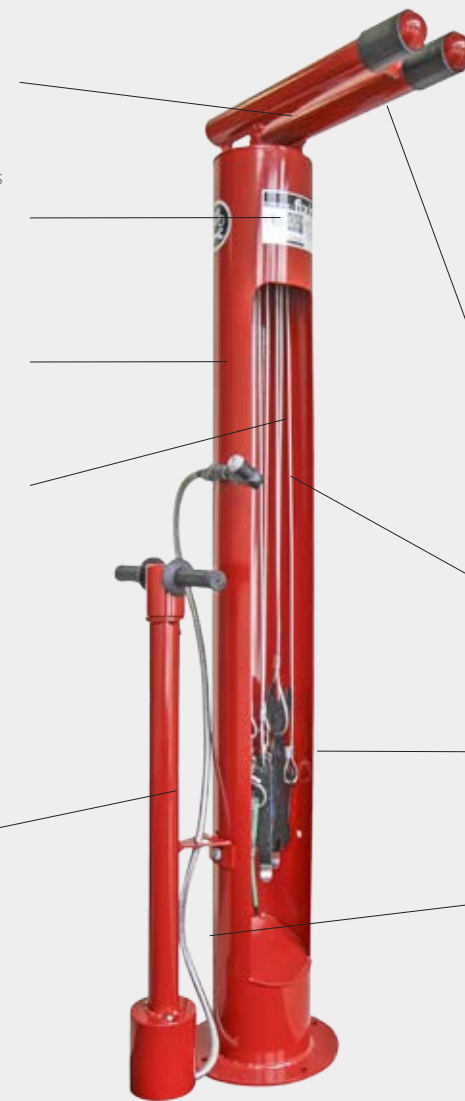
QR code takes smart phone users to comprehensive bike repair videos

Large surface area for sponsorship, branding, or way-finding signage

Tools are secured with braided stainless steel aircraft cables

Screwdrivers and Allen Wrenches are on swivel connectors for easier use

Pump holster can be mounted on either side or back of Fixit



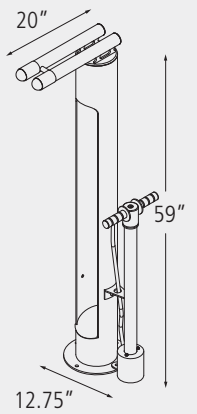
Hanger arms can be mounted at 12, 3, 6, or 9 o'clock and are ADA compliant

Universal pump head accommodates all valve stem types, and magnetic head allows for easy storage

Includes most commonly used tools for simple bike maintenance

Pump hose is reinforced for maximum protection

Patent #D680,9145



Visit www.dero.com for a map of our Fixit stations world-wide.



32.5"

Patent Pending



29.5"

Patent Pending



AIR KIT 2 A pump is only useful as long as it works, and the Air Kit 2 is built for the long haul. Minimal maintenance and a burly design ensure this pump will be ready when you need it.

AIR KIT 3 The Air Kit 3 is designed for heavy-duty, repeated public use. The waterproof, anti-fog gauge and burly construction mean that this pump will continue to work long after others have failed.



Tool Kit and Fixit include the following tools:

- Philips and flat head screwdrivers
- 2.5, 3, 4, 5, 6, 8mm Allen wrenches
- Headset wrench
- Pedal wrench
- 8, 9, 10, 11mm box wrenches
- Tire levers (2)



50"

Patent #D717,214

TOOL KIT All the tools are securely fastened with stainless steel cables and tamper-proof fasteners. Two versions are available – a free standing floor mount and a wall mounted version.



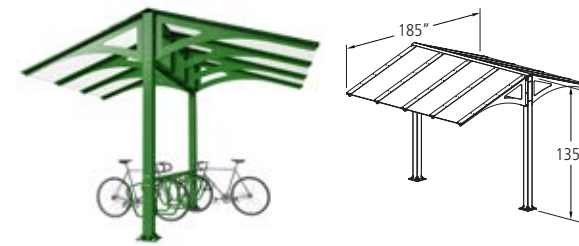
BIKE SHELTERS



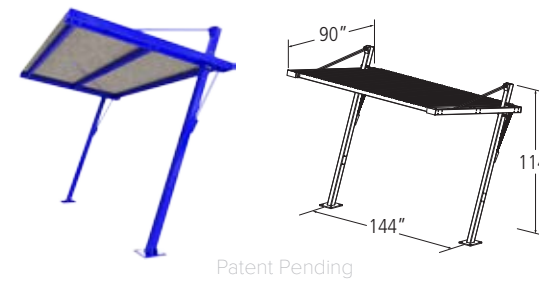
MODULAR CONSTRUCTION

All Dero bike shelters are designed to be modular to best meet your capacity needs. Add-on sections simply bolt right onto a base unit. Easy on-site assembly helps reduce installation costs.

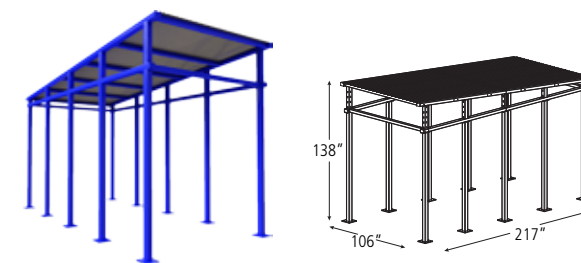
Covered bike parking is also a great way to earn LEED points for your facility.



KOLO SHELTER The unique styling of our Dero Kolo Shelter will help beautify your facility and provide secure, covered bike parking for cyclists.

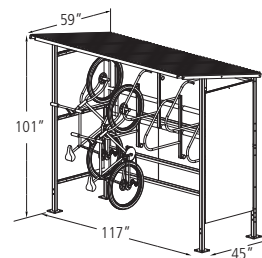
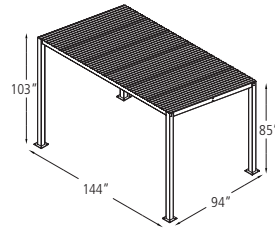


VIZOR™ SHELTER The Vizor™ is a beautiful cantilever designed shelter that is able to accommodate any Dero bike rack system, including two-tiered models.



CYCLE STATION With a high roof and open platform, the Dero Cycle Station allows bike corrals, vertical, or two-tiered bike racks configured to meet your specific needs. Additional options like enclosures and lighting are available.

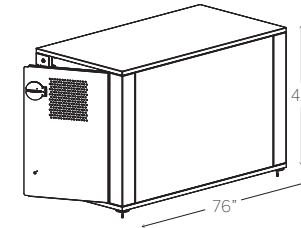




BIKE HAVEN The Bike Haven bridges the gap between short and long-term bike parking. The simple, modular canopy design makes it easy to create the bike shelter that fits your needs.

POCKET SHELTER Small and versatile, the Pocket Shelter stores bikes in areas that would not normally accommodate bike parking. This shelter is a modular system that provides covered and secure bike storage but is extremely space efficient and cost-effective.

NEW



DERO LOCKER This steel bike locker is bike security at its best. Ideal for long-term parking, its steel construction makes sure thieves stay out. Multiple locking options and all standard powder coat color options are available. Ships flat to save you money.

300 AND 350 SERIES These fiberglass bike lockers come in several sizes. The 300 Series ships fully assembled, each unit is self contained, two colors are available, and there is a stackable option. The 350 Series is modular, seven colors are available, includes air vents, stainless steel hardware, gear hooks and number plates, and requires on-site assembly.



DERO ZAP

An Automated Commuter Tracking System



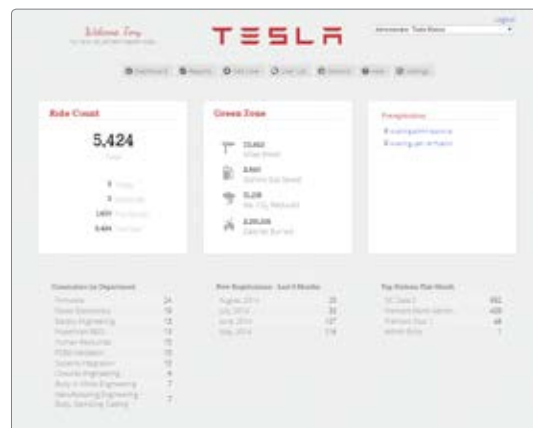
A tamper-proof RFID tag attaches to the front wheel of each registered bike. Hand-held tags are available for people who walk to work.



A ZAP station detects tags as they pass by.



Our powerful web app reports on the data received from each station.



MORE BIKING AND WALKING

Dero ZAP encourages people to bike or walk more and stick with it. Since it's automatic, participants simply have to walk or bike past a ZAP sensor to receive wellness points, prizes or discounts from your wellness program.

SAVE TIME

Dero ZAP automates the management of your commuter program. No more manual entry of commutes; all the data you need is available online or as an easy download.

SAVE MONEY

A modest amount of exercise every day helps prevent painful and expensive medical problems. Keep your employees fit and productive while lowering overall health care costs.

Learn more at www.derozap.com

Patent #8,876,009,B2 and #8,952,786

STANDARD PRODUCT OPTIONS

FINISH OPTIONS



Galvanized

Hot-dipped galvanized is an extremely durable and low-cost finish option. The bike racks are hot-dipped galvanized after fabrication and then hand ground to ensure a clean, safe surface.



Stainless

Stainless steel is the most beautiful and durable option. We use a 304 grade stainless steel which will continue to look new and attractive for many years.



PVC Dip

A rust-inhibiting pre-treatment is applied to the underlying steel before being dipped in UV-stabilized PVC. The coating is subsequently cured to produce a coating that offers excellent protection against abrasion, impact, and corrosion.

Powder Coat

Powder coating provides a durable finish using a solvent-free process that is better for the environment than liquid paints. If our 20 standard colors aren't enough we can match to over 250 custom colors.

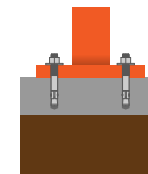


Thermoplastic

Unlike powder coating, no primer is required. The thickness of the thermoplastic finish is more than powder coating, typically from 8 – 10 mils. In addition to an increased thickness, the thermoplastic finish offers superior impact resistance over powder coating.

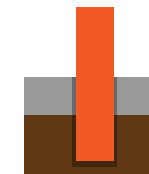


MOUNT OPTIONS



Surface

Metal flange anchors to the ground with included wedge anchors. Other special anchors such as tamperproof nuts are also available.



In-Ground

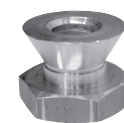
Rack is embedded into concrete surface



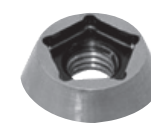
Rail

Racks are bolted to rails which may be anchored to surface or left free-standing

Tamper-resistant Fasteners



Breakaway Nut



Stainless Tamper-Proof Nut



Triple-Slot Nut



Concrete Spike

SITE AMENITIES

BY **ultra site**
PLAYCORE

Dero now offers a selection of site amenities by our sister company UltraSite. They have over 25 years of experience providing excellent park furnishings and site amenities. Choose from a wide variety of items, such as benches, bollards, and trash receptacles. These products will provide any public space with a functional blend of creative design and security – perfect for parks and rec and indoor bike rooms.



BOLLARDS



BENCHES



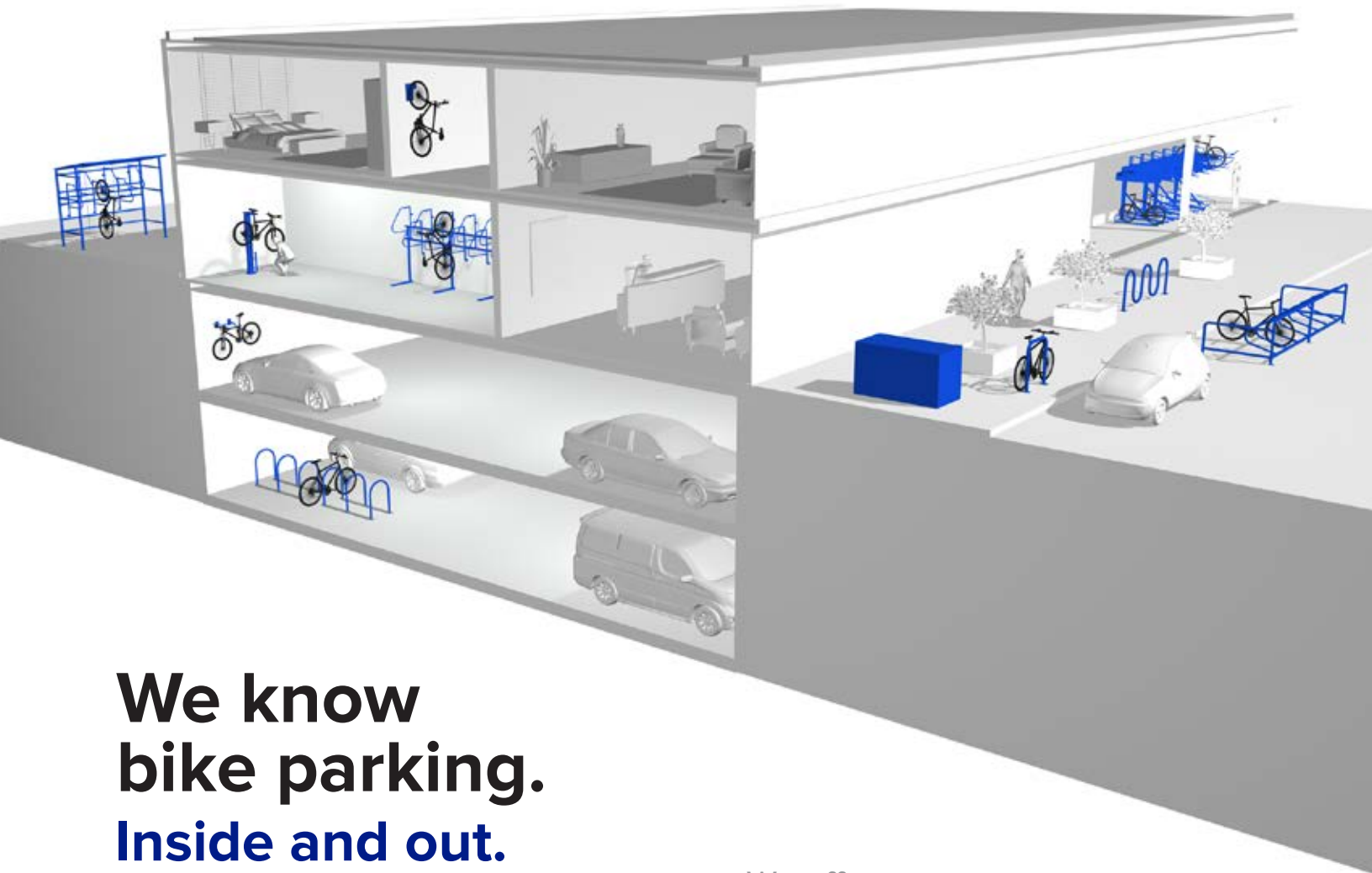
TRASH RECEPTACLES



BRINGING IT ALL TOGETHER

All Dero bike shelters are designed to be modular to best meet your capacity needs. Add-on sections simply bolt right onto a base unit. Easy on-site assembly helps reduce installation costs.

Covered bike parking is also a great way to earn LEED points for your facility.



We know bike parking. Inside and out.

As bicycle commuting increases across the country, so does the need for secure, efficient bike parking. Since 1995 Dero has provided quality bike parking solutions with superior customer service. We can help you maximize your space efficiency and make your facility the most bicycle-friendly in town.

Made in America



DERO
A PLAYCORE Company

We offer:

- FREE** Downloads
- FREE** CAD Layouts
- FREE** Quotes

www.dero.com
888.337.6729

504 MALCOLM AVENUE SE, SUITE 100
MINNEAPOLIS, MN 55414