

## Weighing System Surge Protector

### FEATURES

- Protects measuring equipment and load cells from damage caused by lightning, heavy electrical load switching, etc.
- Suitable for AC or DC excitation voltages
- No influence on system accuracy; EC certified to EN45.501, "8.1
- Automatic reset function
- Housed in a fully sealed waterproof enclosure
- Can be used in EEx(i) systems without further certification



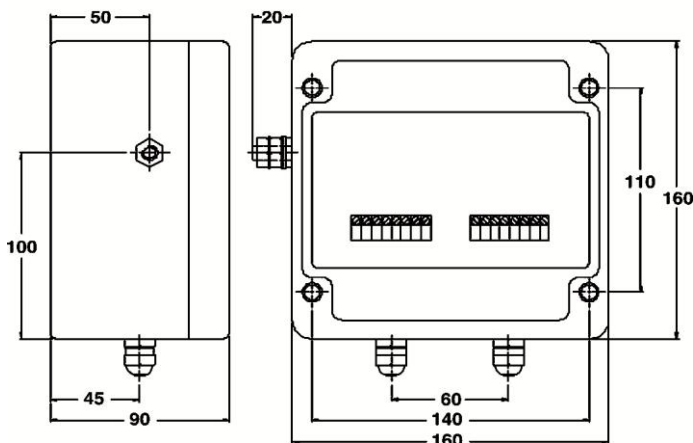
### APPLICATIONS

- Weighbridges

### DESCRIPTION

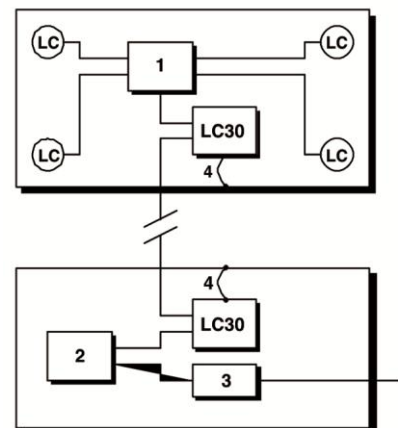
The LC30 Surge Protection Device protects weighing systems and load cell installations from possible malfunction and damage caused by severe over-voltages or high impulse currents on signal cabling. Potentially destructive surges can be generated from a variety of sources, including lightning, power cable faults and heavy electrical load switching. The advanced triple stage protection concept used in the LC30 removes the need for additional earthing systems, therefore simplifying installation and reducing cost.

#### OUTLINE DIMENSIONS in millimeters



Mounting; internal 7mm diameter, through-holes.

#### Typical weighbridge system connections:



- 1: Junction box
- 2: Measuring device or indicator
- 3: Additional power supply protection
- 4: Local structural bond

**All specifications subject to change without notice.**

The LC30 protects the system at the point of installation only. A system is likely to have at least one LC30 installed at the load cell network and a secondary LC30 in the weighing control room.

Additional protection should also be provided for the main power supply and any other system interconnected with the weighing package, e.g., remote computer links, data-communications via telephone lines, etc.

**DS SYSTEMS**

Plot No.- 15/5168(C), Room No- 3, Srikrishna Bhawan, Cuttack Road, Bhubaneswar-751006  
Phone/Fax – (0674) 2314583. Mob-9437014583, Email- dssystemsbbsr@gmail.com. Website: www.dssystem.co.in