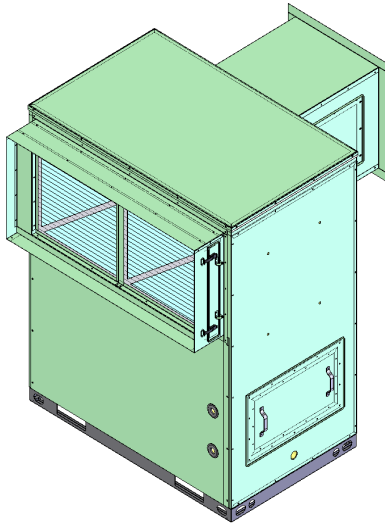




MSP[®] TECHNOLOGY IS SIMPLY THE BEST CLIMATE CONTROL SOLUTION FOR YOUR PLANTS

CONTROLS HUMIDITY, TEMPERATURE, LIGHTING, CO₂ and RECYCLES WATER FOR IRRIGATION

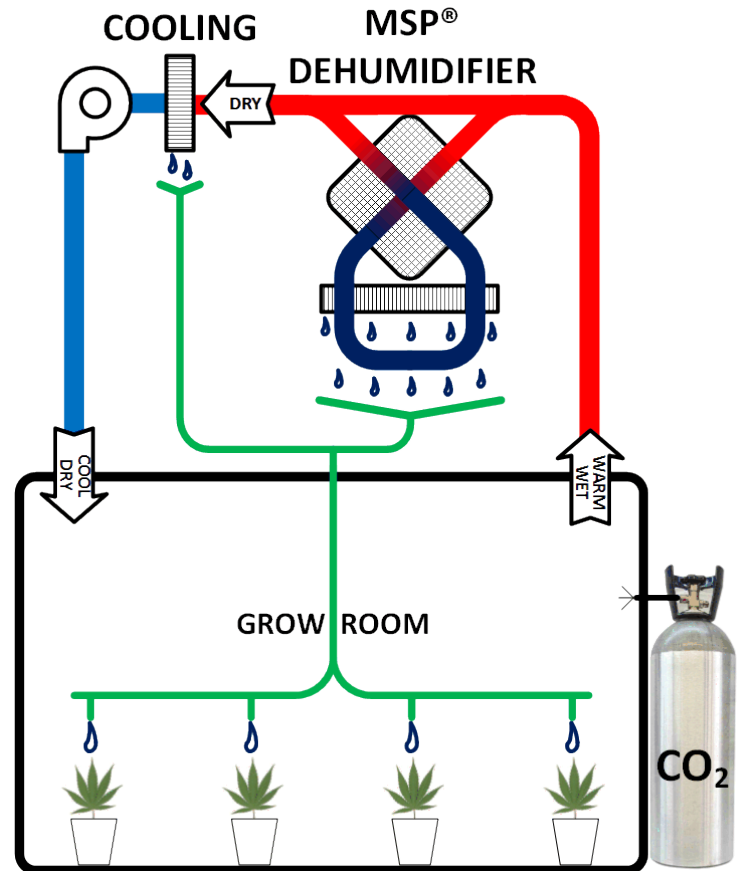


Cannabis Climate Solutions Grow House Dehumidifier

The MSP[®] dehumidification coil, is what drives the highly efficient dehumidification process.

The MSP[®] coil has the advantage of using either chilled water or refrigerant. Refrigerant units use traditional condensing units. Direct drive “beltless” plenum fans have automatic speed control.

MSP[®] Dehumidification Technology provides an ideal plant growing environment because it is capable of controlling Temperature and Humidity in a CO₂ rich environment, while also furnishing free water for irrigation. MSP[®] Dehumidification technology can significantly lower grow house operating costs while increasing efficiency and crop quality.



▶ Key Benefits & Features

- **Control Humidity and Temperature:** Precisely control grow house humidity and temperature
- **Control CO₂:** Maintain a safe closed environment
- **Recycle H₂O:** Cuts irrigation water cost. Recycles water for irrigation.
- **Reliable:** Simple dehumidification technology, no moving parts, low maintenance
- **High Performance:** Pre-cools incoming air, dramatically reduces operating cost by 40—60%.
- **Sanitary:** Full Draining, no standing water
- **Fast Return on investment:** Lower capital costs, competitively priced
- **Efficient:** Internal heat transfer efficiency of 80%—90%
- **State of the Art:** Cutting edge control system — access from any smart phone or computer



**CANNABIS
CLIMATE
SOLUTIONS**
A DIVISION OF MSP® TECHNOLOGY, LLC
.com[®]

CONTACT US TODAY!

(631) 424-7542 ext.101

www.CannabisClimateSolutions.com

ABOUT MSP TECHNOLOGY

MSP® Technology is offered in a wide range of super-efficient, industrial grade dehumidification equipment under the Cannabis Climate Solutions (CCS) brand, and others. Designed specifically for green applications, CCS products are engineered for high performance, guaranteed.

APPLICATIONS FOR MSP TECHNOLOGY

CONDENSATION CONTROL

Supermarkets • Indoor Ice Rinks • Refrigerated Warehouses
Telecommunications Centers • Switching Stations • Pumping Stations • Power Plants • Well Houses

PRODUCT DRYING

Leather Drying • Food Drying • Paper and Pulp Production • Investment Casting Drying • Lumber Drying

PRODUCT PRESERVATION

Dry Storage Warehouses • Printing and Paper Storage • Museums/ Archives • Libraries • Film Storage

CRITICAL ENVIRONMENT

Semiconductor Manufacturing • Pharmaceutical Manufacturing
Operating Rooms • Laboratories • Clean Rooms

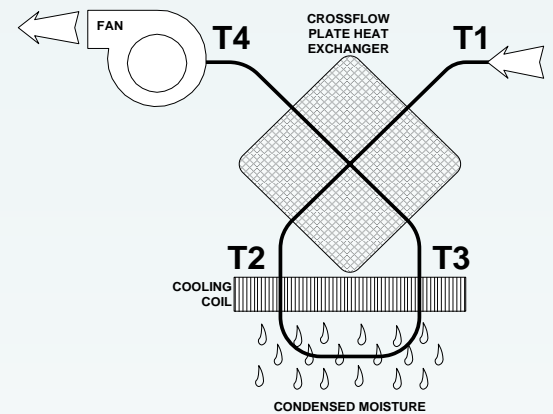
OUR CLIENTS INCLUDE



and many more...

HOW IT WORKS

MSP® DEHUMIDIFICATION AND ATMOSPHERIC WATER GENERATION TECHNOLOGY



STEP 1 Warm, humid incoming air (T1) flows through the first pass of the plate type air-to-air heat exchangers for pre-cooling and initial condensing and water production. This is accomplished by regenerative thermal exchange with the cooler air that is leaving the heat exchanger. (see step 3)

Advantage: Pre-cooling, condensing and water production by regenerative thermal exchange are "free" and involve no additional equipment.

STEP 2 Pre-cooled air (T2) then passes twice over conventional cooling coils for final cooling, condensing and water production

Advantage: Pre-conditioned air can be treated much more efficiently, using smaller compressors that require as little as one-half the power.

STEP 3 The cool, now dry air (T3) is then drawn back through the opposite side of the heat exchanger where it absorbs some heat from incoming air (see step 1) and continues on to possibly serve a secondary purpose.

Advantage: No heating coil—and no energy penalty—needed to reheat the dehumidified air before it enters the conditioned environment.

CONTACT US TODAY!

(631) 424-7542 ext.101 / CCS@MSPTechnology.com / www.CannabisClimateSolutions.com