



QUICK-FIT



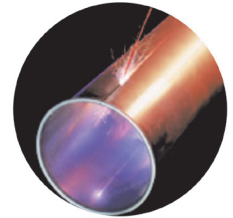
THE WORLD'S FASTEST DUCTING

Q-F puts the squeeze on costly conventional duct installation.

Q-F is a snap! No complicated cutting, no riveting, no braising or welding are required. One Q-F clamp connects sections together in seconds. Branches, diverters, elbows - all adapt easily to your existing duct and may be taken apart and re-used or cleaned without special tools.

Q-F is easy to install, easy to align, and it's strong!

Q-F clamps are so easy to install, they almost install themselves. Simply place the clamp over the Q-F rolled lip ends and snap! The extraordinary strength of Q-F's specially machined double rolled lips provides a solid, straight run. The patented Q-F clamp connects the rolled ends. Snap the Q-F clamp and you have the strongest, safest, most re-usable dust-extraction piping available today. No special instructions or skills are needed to assemble a Q-F system. Install new lines, clean out lines or make changes to existing duct runs anytime you need to with Q-F.



LASER WELDED SEAM

Q-F adapts to your every need; connect to the old or bring in the new.

Q-F has everything you need in galvanized or stainless steel parts:

- * **LASER WELDED** pipe in diameters from 3" to 24"
- * Branch fittings in all sizes and shapes
- * Elbows 30°, 45°, 60°, 90°
- * Larger custom sizes and special adapters
- * Blast Gates, Diverter Valves, Hoods, Manifolds.

Q-F adjusts to fit - without complicated measurements.

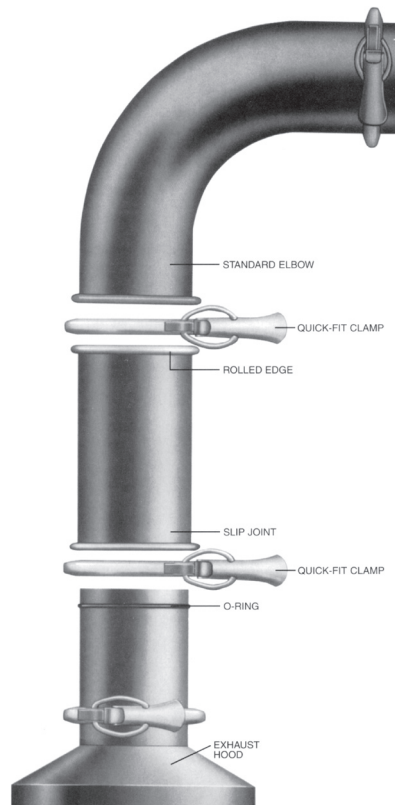
Planning to add, remove, or replace dust-extraction piping? Q-F's adjustable fittings slide together to create the precise length. No need for time wasted on exact measuring and precision cuts. Simply slide on and fit to your desired length, a few inches or a few feet. Need a different length for a new run? Just re-use your Q-F components and re-fit, again reducing your cutting and fabricating time.

Q-F saves you time and money.

Just how much money can you save using Q-F? Call us! You will be pleased with the savings and all the built-in advantages you get with Q-F.

Whether you need just a few parts, or help with a complete system, Q-F has 4 to 5 day lead time.

Call for a free sample.



Air Cleaning Specialists Inc.
826 Horan Drive
Fenton, MO 63026
Toll Free: 800-878-5030
Fax: 636-349-0556
www.ductingsystems.com





QUICK-FIT

Clamp-Together Ducting



THE WORLD'S FASTEST DUCTING

Installation Tips

To ensure that Nordfab Quick-Fit continues to be the “World’s Fastest Ducting,” we want to provide you with a few tips to help your installation go quickly, smoothly and safely.



STEP ONE: Make Sure Your Shipment is Complete and Undamaged. Nordfab ships most orders FOB Nordfab or “Free On Board.” This means that it is your responsibility to ensure that the materials you receive do not have freight damage and that the carrier has delivered all the boxes in your shipment.

Inspect all boxes for outward damage BEFORE signing for receipt. The boxes should be strapped to a pallet, and not be crushed, torn or otherwise damaged. If you find damage, either refuse the shipment or note the issue on the receipt you sign. Unless you do this, any future claims will be virtually impossible to collect.

Additionally, before signing for your shipment, ensure that all boxes are accounted for. You can find the number of boxes in a shipment by checking the delivery receipt the driver will ask you to sign. Again, note any discrepancies before signing. **IMPORTANT SAFETY NOTE:** Beware of the sharp metal staples used to seal the shipping boxes.

STEP TWO: Understanding the Packing Documents. Nordfab packs boxes with the goal of reducing shipping costs, not in the order the parts are needed. Do not simply tear into the boxes and begin removing parts. At least one box on each order will contain Nordfab’s “Packing List.” Locate these documents before opening any boxes as it will give you details as to what is in each box. Avoid opening boxes until you need them to reduce the chance of parts being lost or damaged on site.

If you have any problems, call your dealer as he is in the best position to rectify any problems with your particular order. Have all packing documentation with you when you call.



Make sure your parts match the packing list

STEP THREE: Preparing to Install Your Ducting. It is important for the installer to understand the layout the system designer planned for the ducting. Follow all local codes and regulations and note loading capabilities of structures to ensure the ducting is properly supported and that the building can carry the ducting system. If your installer doesn’t understand the layout, he will not have all the parts necessary to complete the job. If you do not have a clear understanding or drawing of the system you are about to install, please call the person who designed the system before you begin work.



Lay your system out on the floor

STEP FOUR: Laying out the duct.

Begin by laying the system out on the floor below where it will hang. Remember that two parts that connect will often not be in the same box, so this step dramatically reduces the time it takes to complete the job once the installation begins.

NOTE: This is the step where you could possibly find that you do not have all the parts necessary to complete the job. In that case, contact your dealer immediately so that he can get a head start on getting you the needed parts as well as help you verify that your layout matches the one planned by the system designer.

Useful Tools and Important Safety Information:

Always use proper safety equipment when installing Quick-Fit

- **Work Gloves.** Sheet metal can be sharp and burrs are possible.
- **Eye & Ear Protection:** for use whenever cutting pipe.
- **Safety Helmet:** to avoid injury from falling parts or tools
- **Cutting Device.** There are several options for cutting galvanized or steel ducting. Whether you use a hacksaw, sawzall, nibbler or other method, it is important that the cut is clean and that the pipe is not crushed into an oval shape during cutting. Follow all manufacturer safety guidelines for your cutting tool.
- **File.** This ensures that any cuts you make for the adjustable nipple sections are clean.
- **Scaffolding** and proper safety equipment for working off the ground.
- **Level.** Most duct runs should be level. But NOTE that on some applications such as cement or oil mists, it is preferable for the runs to be angled so that any material that falls out of the airstream will drain out of the duct.
- **Plumb.** It is advisable that all vertical runs be plumb.

STEP FIVE: The Adjustable Nipple. One of the most important benefits of Quick-Fit is that it is not necessary to take exact measurements before cutting each piece of pipe. The adjustable nipple is an 11-inch section of pipe that has a slightly larger diameter than a standard Q-F duct. To use the adjustable nipple, simply:

- 1) Measure the distance you want to span.
- 2) Cut the pipe (NOT the 11" Nipple) approximately 4" shorter than the length necessary to complete the span.
- 3) Make sure the cut is free of burrs and that it maintains its round shape.
- 4) Slip the cut end of the pipe into the adjustable nipple.
- 5) Clamp one end of the assembly into place. Be sure that the 11-inch nipple is downstream of the cut piece.
- 6) Slide the pipe into the nipple to the desired length.
- 7) Slide the o-ring across the rolled edge of the 11-inch nipple so that it is around the cut piece of pipe. Roll it until it is seated against the rolled edge of the nipple. The o-ring will form a seal and provide a rolled surface for the Q-F clamp to grab.
- 8) Use a standard clamp to connect the rolled edge of the adjustable nipple and the o-ring together.
- 9) Once in place, you can re-adjust the length of the assembly by releasing the clamp and changing the length of the pipe that is inserted into the nipple.
- 10) **IMPORTANT SAFETY NOTE:** To ensure a strong, safe and stable system, there must always be at least four inches of duct inserted into the adjustable nipple.



Measure



Cut



Slide Nipple On



Clamp



Finish

STEP SIX: Supporting Your Ductwork. Nordfab has a variety of duct hanging devices, but it is your responsibility to ensure the safety of all ducting. Please check with local agencies to ensure that your ducting is supported in a way that meets local codes. When determining the weight your ceiling and hangers must support, always allow for the ducting being 100 percent clogged with whatever material is being conveyed.

STEP SEVEN: Pre-Stretch Your Clamps. The Nordfab clamps are designed to provide a tight seal, which means that they also require some pressure to close. By pre-stretching the clamp around the rolled edge of a single piece of pipe, you can make it much easier to close when you connect two pieces together.



Pre-stretch your clamps



Clamp pieces on ground

STEP EIGHT: Clamp As Many Parts Together As Possible on the Ground.

It is much faster and easier to close the clamps on stable ground than on a scaffold. Therefore many installers connect two or three pieces of ductwork together on the floor before lifting them into place.

IMPORTANT SAFETY NOTE:

The ducting must be properly supported. It is unsafe to have several segments cantilevered without support. Each additional piece of pipe puts enormous amounts of pressure on the clamps and hangers which could result in catastrophic clamp or hanger failure.



Lift pieces into place

STEP NINE: Use the Cotter Pins. After closing each clamp, install one of the enclosed cotter pins into the hole as shown. This ensures that the clamp cannot come open unexpectedly. Install the cotter pin as soon as a clamp is closed and beware of clamps until the cotter pin is safely installed. **IMPORTANT SAFETY NOTE:** On very rare occasions, unpinned clamps can spring open unexpectedly which can cause the pipe to drop. Additionally, the handles on unpinned clamps have been known to cause injury when they sprung open.



Clamp together



Use Cotter Pins

If you have any questions, please do not hesitate to contact your Nordfab dealer or to visit our web site.



800-532-0830
www.nordfab.com