

# RSK

## Product Info

Category: Replacement PTAC

Replaces: Ice-Cap – RSK; Islandaire – RK;  
Retroaire – RC/RH22



## Specifications

	5RSK07	5RSK09	5RSK13	8RSK09	8RSK13	8RSK16	8RSK18	7RSK09	7RSK13
Cooling Capacity	7,100	9,000	12,600	9,000	12,250	15,000	17,100	9,000	12,600
Cooling EER	9.5	9	8.3	9	8.3	7.8	8	9	8.3
Heating Capacity HW	16,500	16,500	16,500	16,500	16,500	19,400	19,400	16,500	16,500
Heating Capacity STM	18,700	18,700	18,700	18,700	18,700	20,200	20,200	18,700	18,700
Electric Heating Max.	1.5KW	1.5KW	1.5KW	3.0KW	3.5KW	4.3KW	4.3KW	3.5KW	3.5KW

Voltage	115	115	115	208/230	208/230	208/230	208/230	277	277
Cooling Amperage	6.5	8.7	13.1	4.8	7.1	9.1	10.4	3.6	3.6
Cooling Watts	750	1,000	1,500	1,000	1,470	1,900	2,150	1,000	1,000
CFM Air Hi Cool	350	350	400	350	450	450	450	350	350
CFM Air Lo Cool	260	260	350	260	350	370	370	260	260
CFM Outside Air	60	60	60	60	60	60	60	60	60
CFM Extra Outside Air	110	110	110	110	110	110	110	110	110
Weight Net/Ship	113/129	117/133	117/133	117/133	117/133	132/148	141/157	117/132	117/132

## 877-ICE-AIR-1

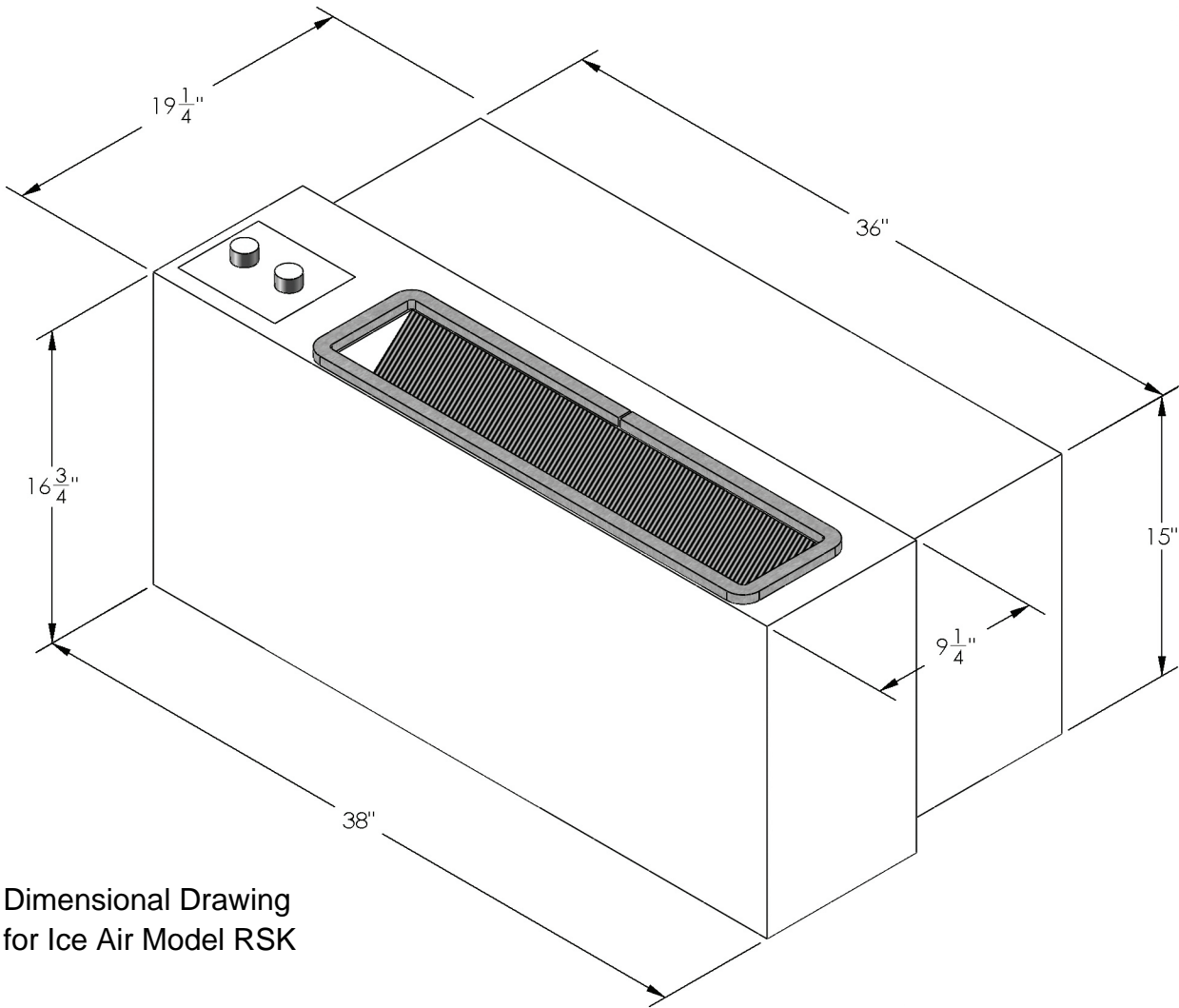
© 2016 Ice Air. All rights reserved.

ORIGINAL MANUFACTURER	MODEL/SERIES	ICE AIR <sup>®</sup> World Class Comfort <sup>®</sup>
American Air Filter (AAF)	Type 25 Type 16	RS41 RS16
American Standard	Type 41 Type 45	RS41 RS16
ClimateMaster	700 AD 702,703,704	RSCM/B* or C* RSCM/A
Cool Heat	RM	RSZ
Embassy	Weather Twin	RSZ
Fedders	Maxizone	RSF
Friedrich	700 AD 702,703,704	RSCM/B* or C* RSCM/A
Ice-Cap	RSK RSCT RSCT-ZS	RSK RSCT RSCT-ZS
Islandaire	N, NH AD CM ED JK KF NE MX RK RM RT WL 16 41	RSAN RSCM/B* or C* RSCM/A RSEA RSCT-JK RSMK, RSK/K RSAN RSF RSK RSZ RSCT WL RS16 RS41
W, Wenig	WL "Coffin" IW "Step Up"	WL RSIW
McQuay	PDES**, PDNS, PDAN, PGAN EA, ES, RS N, NH, PDNS PNES, ENR K, EK, RK	RSAN RSEA RSAN RS16 RSMK
Remington	EA, ES, RS K, EK	RSEA RSMK
RetroAire	RC15 RC40 RC/RH10 RC/RH20 RC/RH22 RC/RH35 RC/RH60 RC/RH90	RS41 RSF RS16 RSZ, RSCM/A RSK RSEA RSMK, RSK/K RSCM/B* OR C*
Singer	EA, ES, RS N, NH K, EK TYPE 16	RSEA RSAN RSMK, RSK/K RS16
SlantFin	JK	RSCT-JK

Replacement compatibility based on typical configurations. Modifications may be required based on OEM variations.

\*Control box configuration must be specified

\*\*May require new cabinet



Dimensional Drawing  
for Ice Air Model RSK