

**ROOF PLAN**  
SCALE : 1/8" = 1' - 0"

NOTE :  
TAPERED ROOF INSULATION TO ROOF DRAIN. SLOPE : 1/8" TO FOOT MIN.  
FOLLOW MFG. RECOMMENDATIONS. PROVIDE SHOPDWGS AS REQUIRED.  
PROVIDE 31/2"x31/2"x1/4" ANGLE IRON AT ALL ROOF OPENING FOR RTU DUCTS TYP.

SHIKHARS (TOWERS) ARE SIMILAR TO CHURCH TOWER WITH STEEPLE.  
SHIKHARS ARE NON OCCUPIABLE DECORATIVE STRUCTURE MADE OF STEEL FRAME AND FIBERGLASS REINFORCED PLASTIC (FRP) WITH VARIOUS FINISHES WHITE MARBLE, STONE OR GRANITE FOR EXTERIOR USE, THIS PRODUCT HAS BEEN USED ON SEVERAL TEMPLES IN USA, THE STRUCTURE IS LIGHT WEIGHT AND LOW MAINTENANCE.

ELECTRICAL CONTRACTOR TO FURNISH 2 J-BOXES FOR 2 SIDES OF EACH OF 4 SHIKHAR (STEEPLE) AT BASE WALL FOR FUTURE LIGHTING, 2 CIRCUITS FOR POWER.

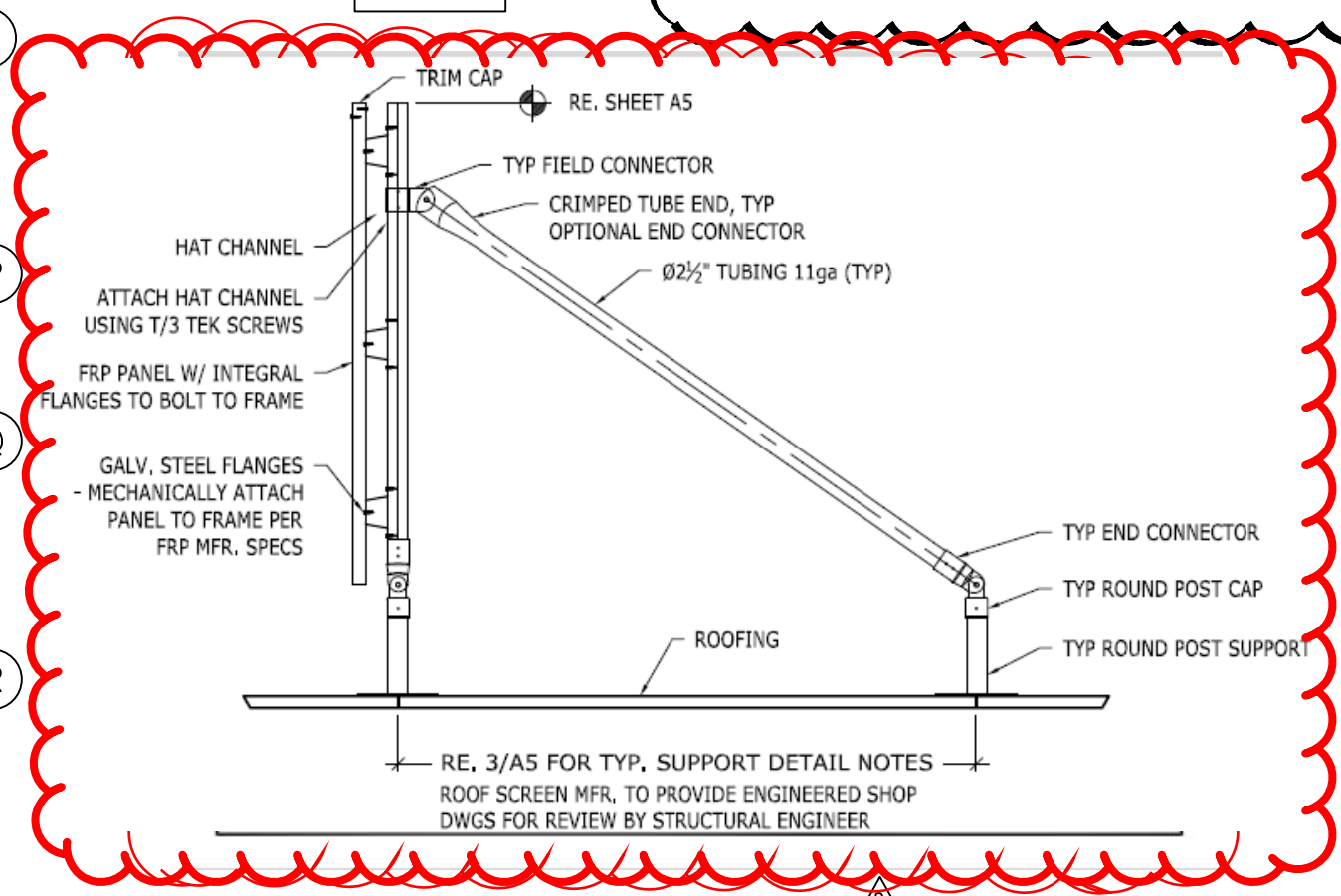
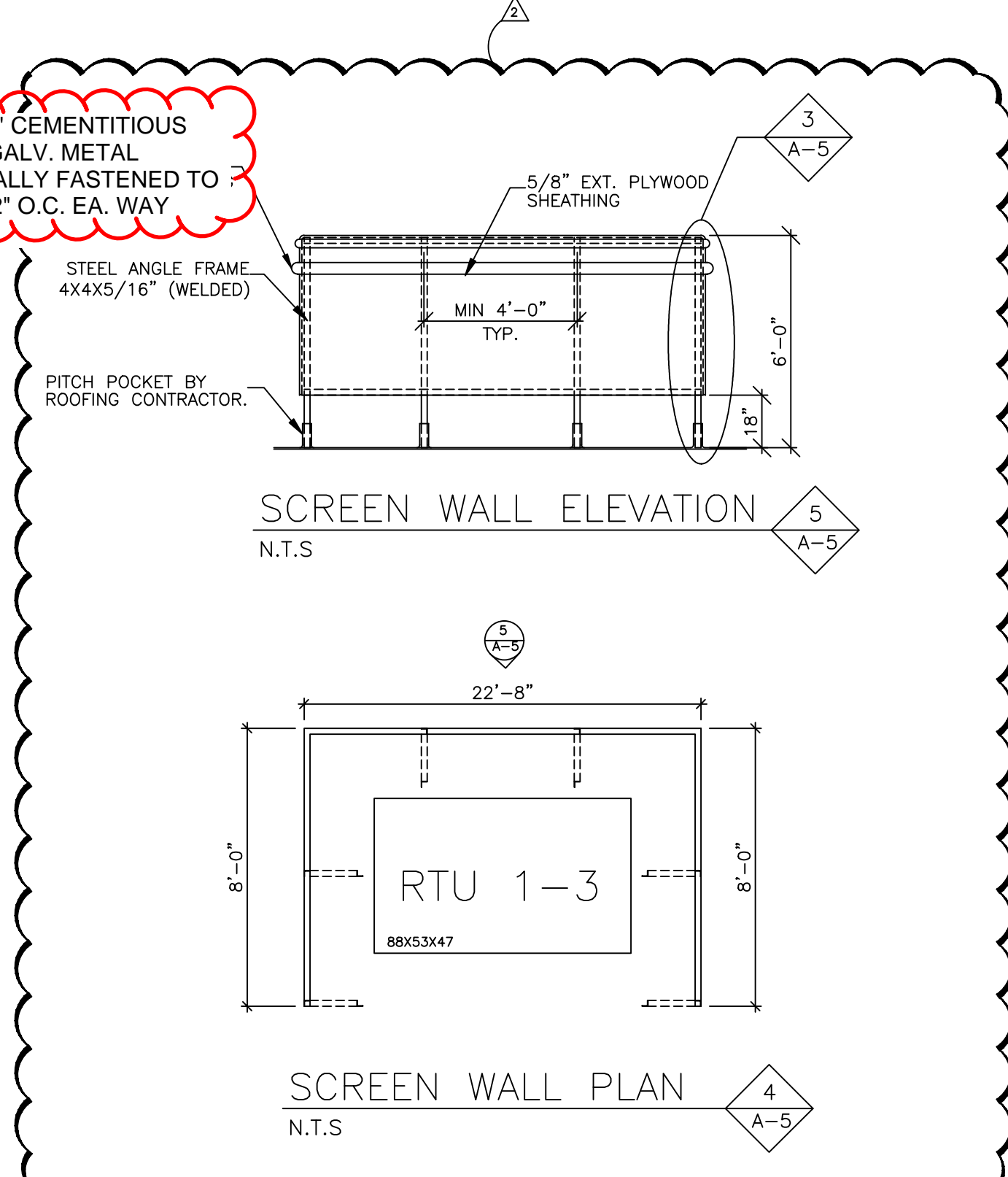
NOTE : FRP SHIKHARS ARE NOT IN THE SAME PLANE OF BUILDING ELEVATIONS. THEY ARE SET BACK.  
FRP AREA MAIN SHIKHAR = 370 SQ.FT  
FRP AREA SIDE SHIKHAR = 199 SQ.FT  
FRP AREA FRONT SHIKHAR = 119 SQ.FT  
GRAND TOTAL FRP AREA OF 3 SHIKHARS+CANOPY=880 SQ.FT  
FRP PERCENTAGE : NORTH AND SOUTH ELEVATION : 22.4%  
FRP PERCENTAGE : EAST AND WEST ELEVATION : 13.4%  
FRP PERCENTAGE : EAST AND WEST ELEVATION : 13.4%  
FRP CANOPY PERCENTAGE : EAST AND WEST ELEVATION : 7.7%  
FRP CANOPY PERCENTAGE : NORTH AND SOUTH ELEVATION : 4.8%

SEE BULD ELEVATIONS FOR ADDITIONAL DETAILS

OWNER'S OPTION TO USE SCREEN WALL BY ROOFSCREEN, (WWW.ROOFSCREEN.COM)  
ROOFSCREEN TO PROVIDE ALL REQ'D WIND CALCULATIONS AND SHOP DRAWINGS PRIOR TO FABRICATION.

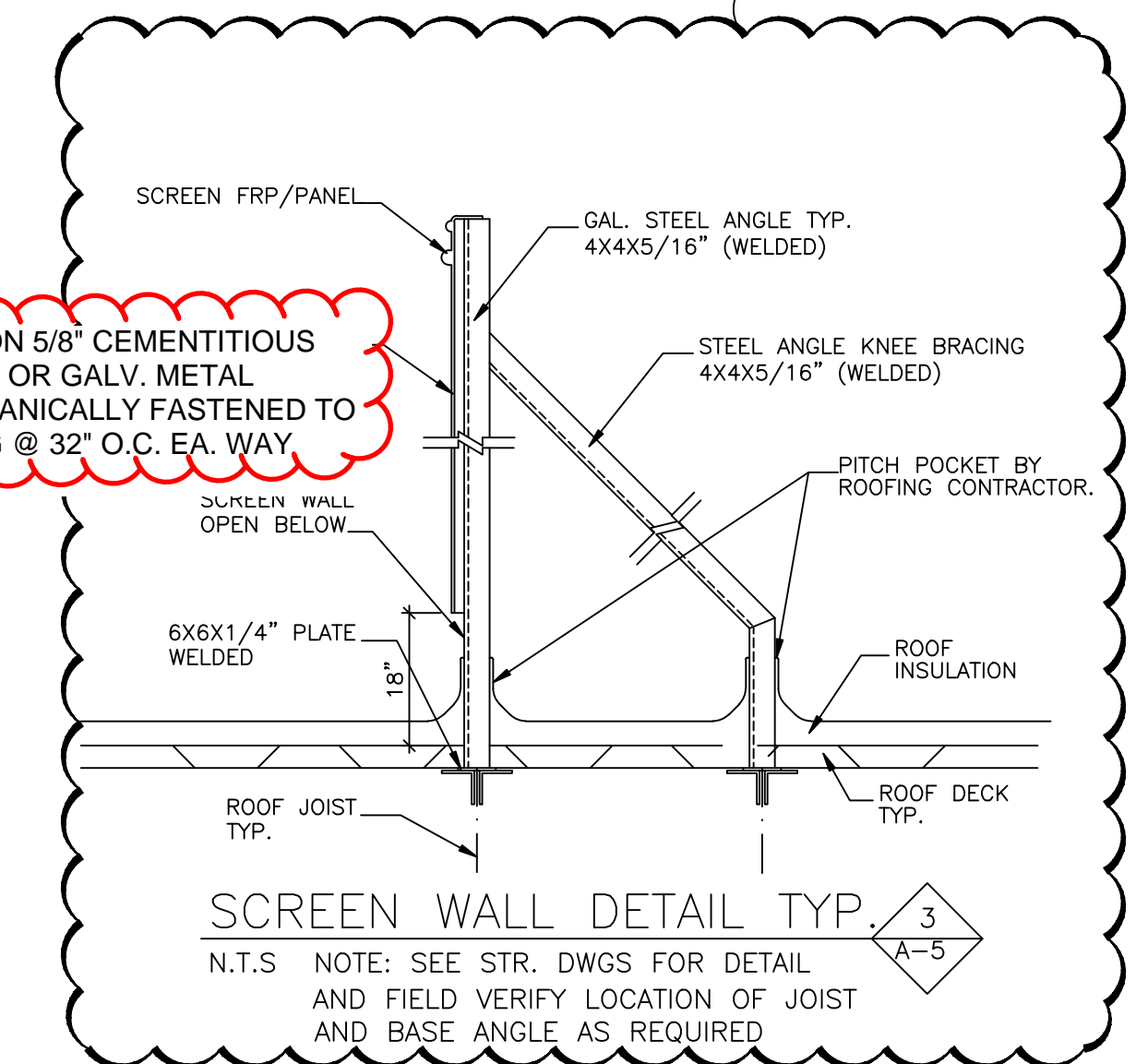
FRP OVERLAY ON 5/8" CEMENTITIOUS BACKER BOARD OR GALV. METAL FLANGES MECHANICALLY FASTENED TO STEEL FRAMING @ 32" O.C. EA. WAY

REV. 3- 2/12/16



FRP OVERLAY ON 5/8" CEMENTITIOUS BACKER BOARD OR GALV. METAL FLANGES MECHANICALLY FASTENED TO STEEL FRAMING @ 32" O.C. EA. WAY

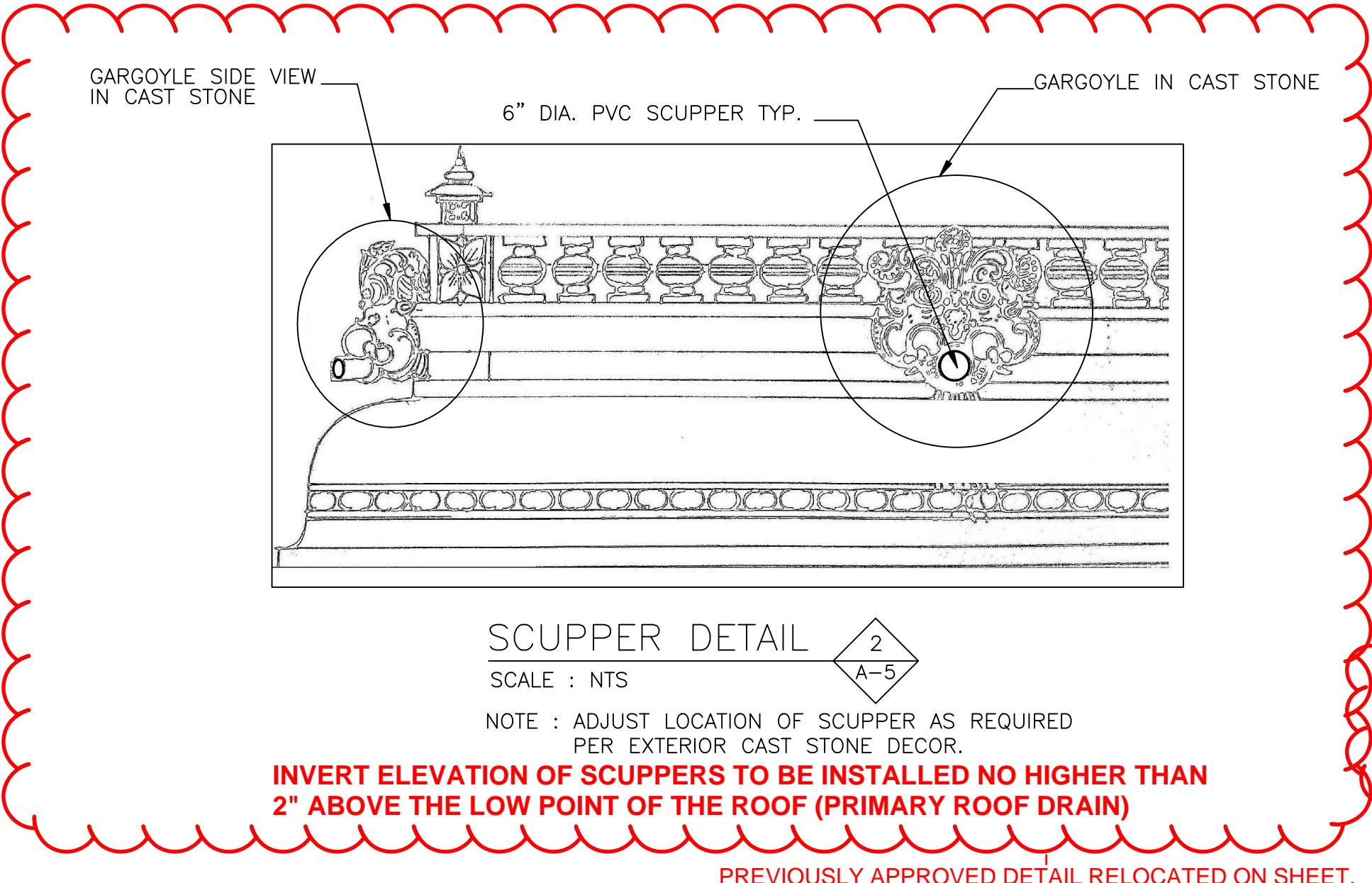
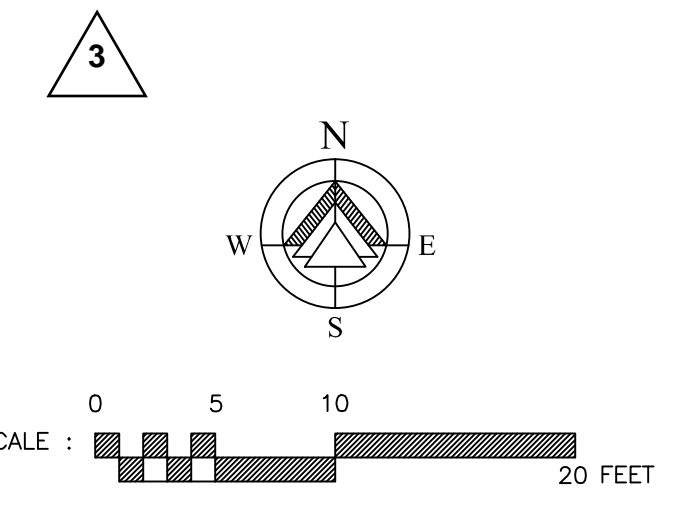
REV. 3- 2/12/16



**SCREEN WALL DETAIL TYP.**

N.T.S. NOTE: SEE STR. DWGS FOR DETAIL AND FIELD VERIFY LOCATION OF JOIST AND BASE ANGLE AS REQUIRED

ALTERNATE: PRE-MANUFACTURED ROOF SCREEN SYSTEM BY "ROOFSCREEN" OR APPROVED EQUAL

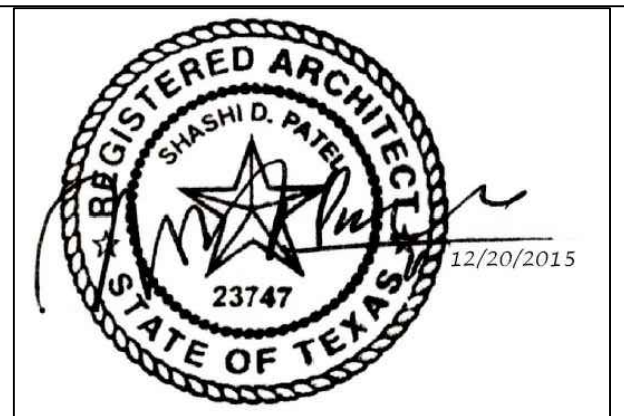


**SCUPPER DETAIL**

SCALE : NTS  
NOTE : ADJUST LOCATION OF SCUPPER AS REQUIRED PER EXTERIOR CAST STONE DECOR.

INVERT ELEVATION OF SCUPPERS TO BE INSTALLED NO HIGHER THAN 2" ABOVE THE LOW POINT OF THE ROOF (PRIMARY ROOF DRAIN)

PREVIOUSLY APPROVED DETAIL RELOCATED ON SHEET.



rev	12-20-15	added screen wall detail
rev		added scupper detail.
date	10-05-2015	released for const.
scale	AS NOTED	
drawn by	CADD-SPA	

SHASHI D. PATEL AIA NCARB  
ARCHITECTS AND PLANNERS  
442 EAST END AVE. STE-B. PITTSBURGH PA 15221

ROOF PLAN AND DETAILS  
CONSTRUCTION DOCUMENT PHASE  
RADHA KRISHNA TEMPLE  
ALLEN TEXAS

dwg. 07162013 A-5  
no.