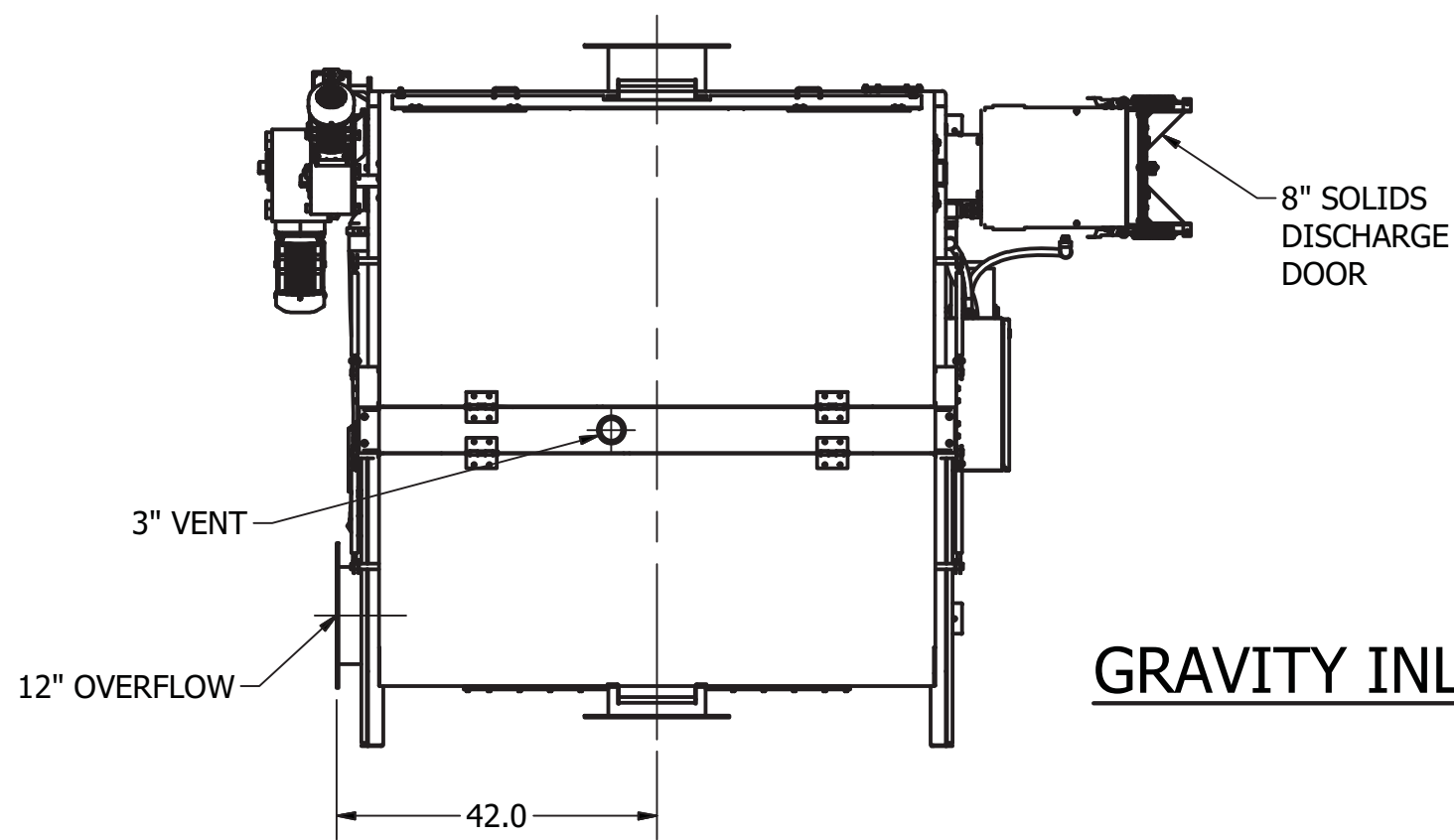
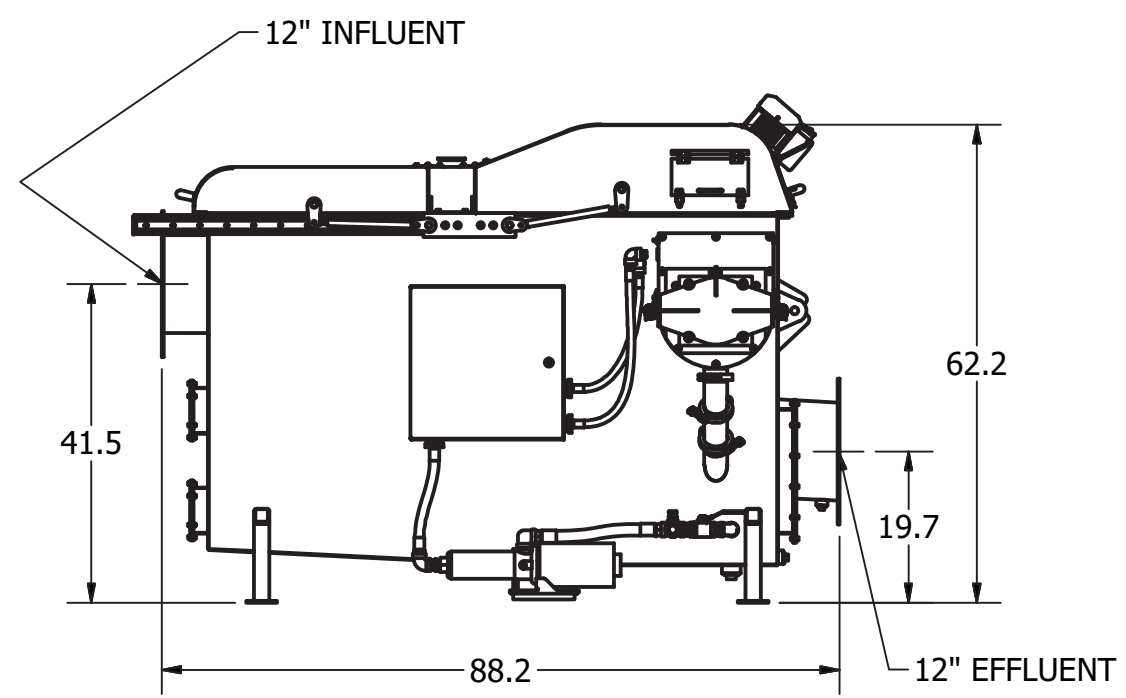
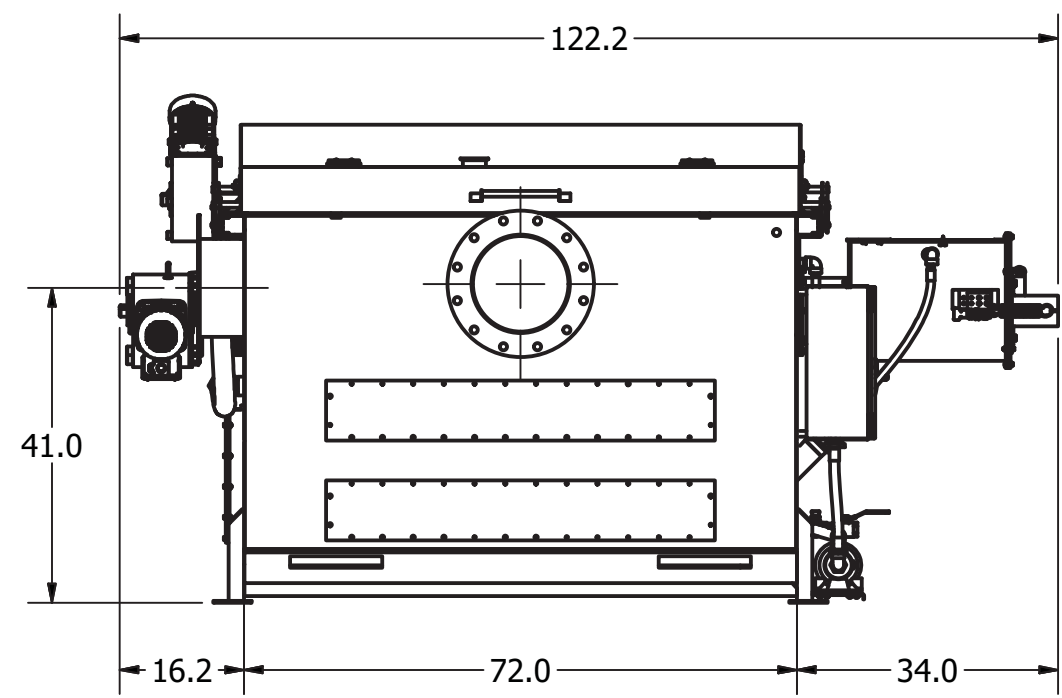
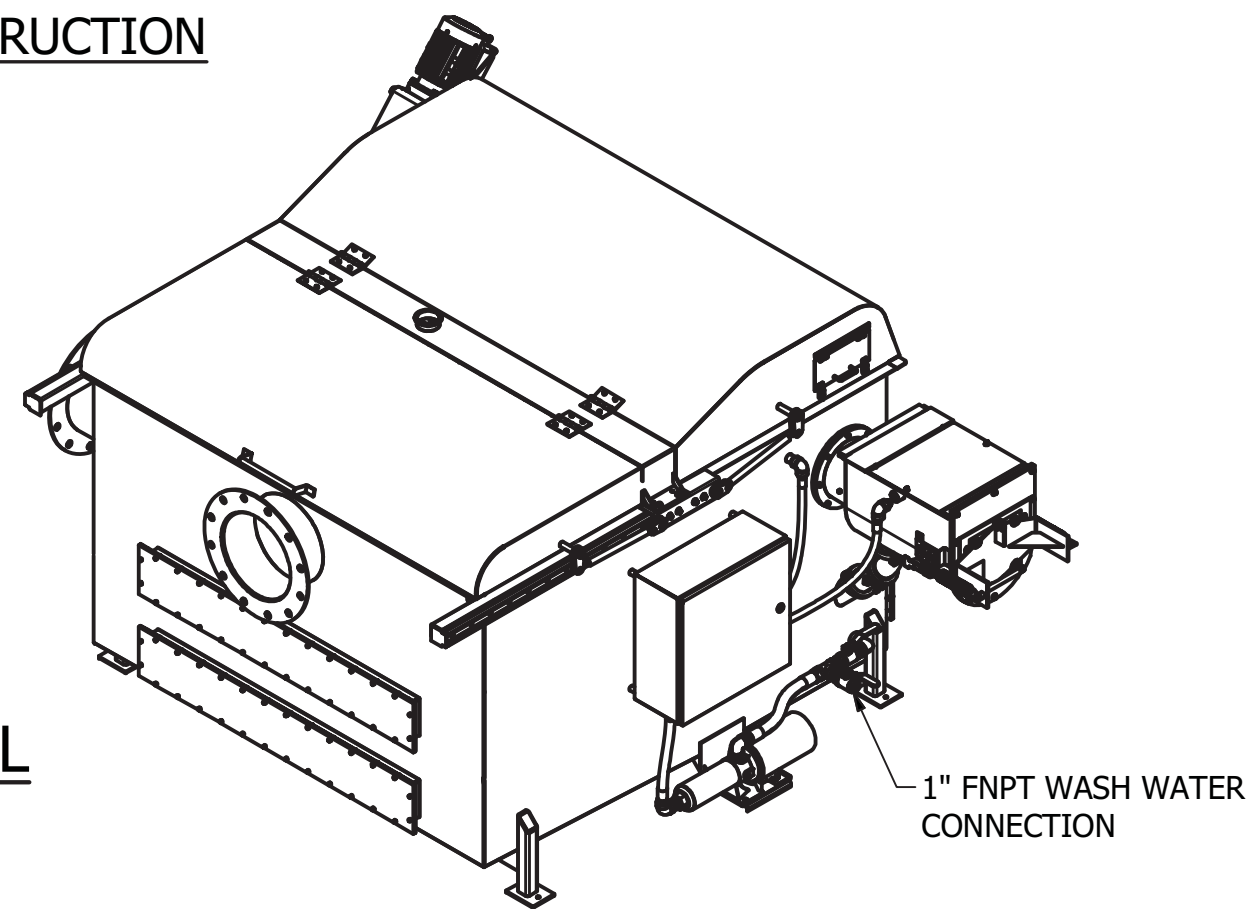


NOT FOR CONSTRUCTION



GRAVITY INLET MODEL



REV	DESCRIPTION	BY	CHK'D	APP'D	DATE
0	FOR INFORMATION	JCM	AHM	MWA	2/2/15

MITCHERSON
 PROVIDING SOLUTIONS FOR A BETTER FUTURE
 WWW.MITCHERSON.COM (713) 306-2274

TITLE: **ES-1800 GENERAL ASSEMBLY**

DRAWING NUMBER: **ESG-1800**

UNLESS OTHERWISE SPECIFIED:
 1. DIMENSIONAL TOLERANCES APPLY .X ± .030 FRACTIONS ± 1/16
 2. DIMENSIONS ARE IN INCHES .XX ± .010 ANGLES ± 0°30'
 3. DEBURR AND BREAK ALL SHARP EDGES, R .020 .XXX ± .005

DRAWN BY: JCM
 DATE: 2/2/2015

WT. / LBS. **4076.3**
lbmass
 SHEET 1 OF 1
 REVISION: 0