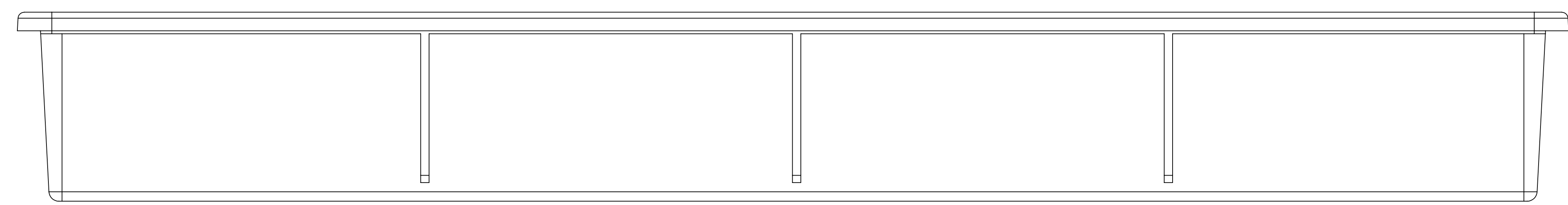
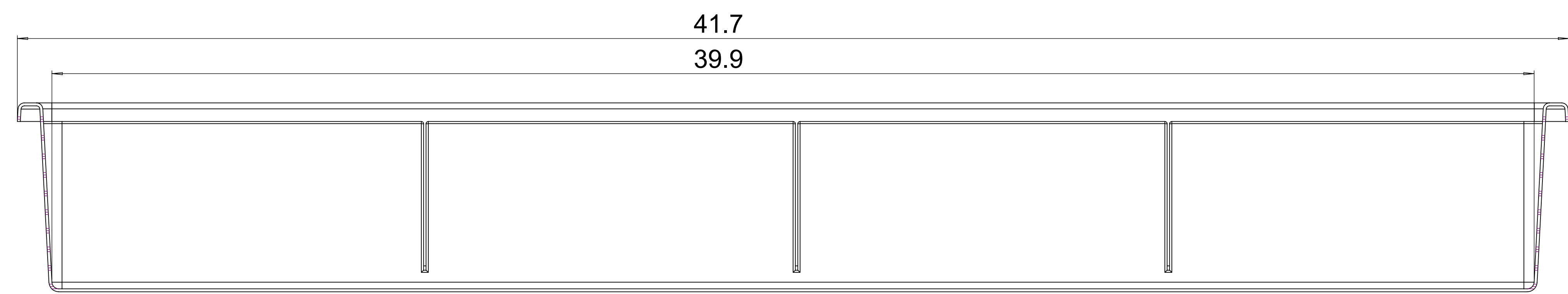
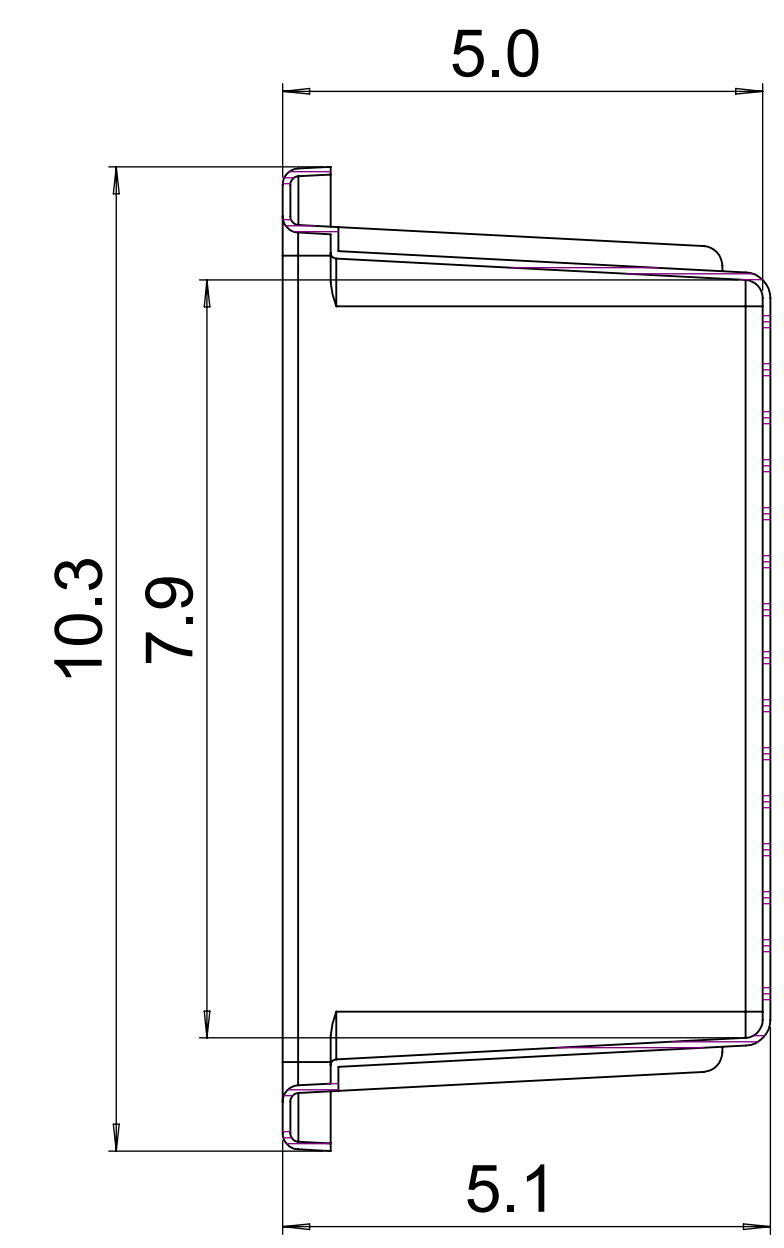
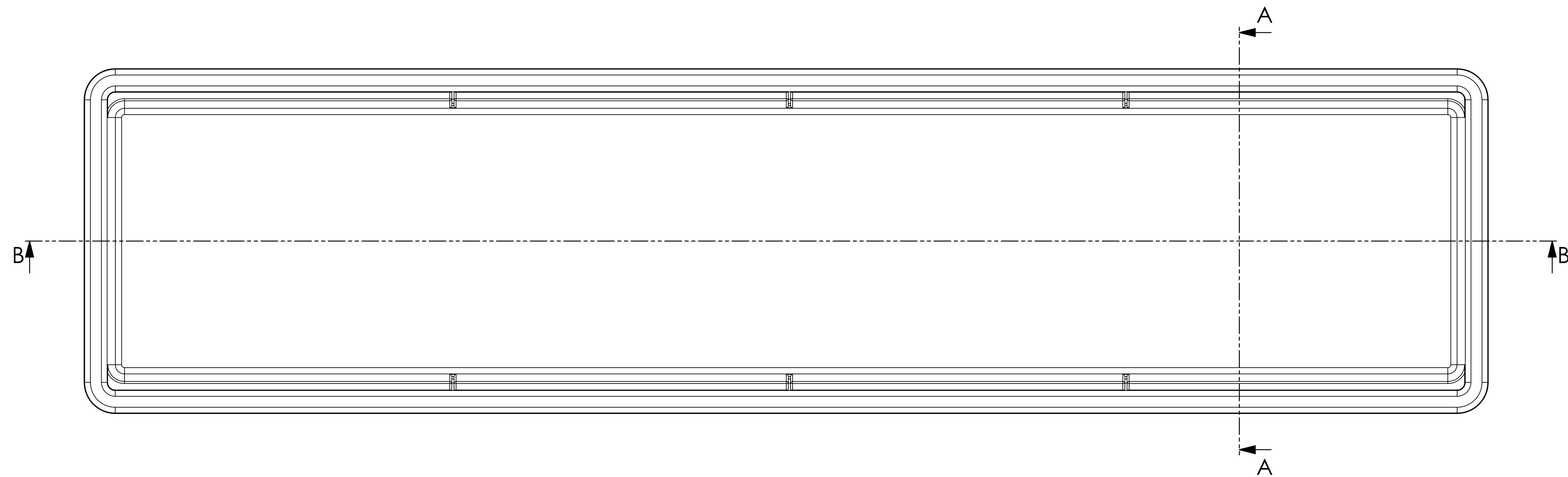


8 7 6 5 4 3 2 1

F
E
D
C
B
A

F
E
D
C
B
A

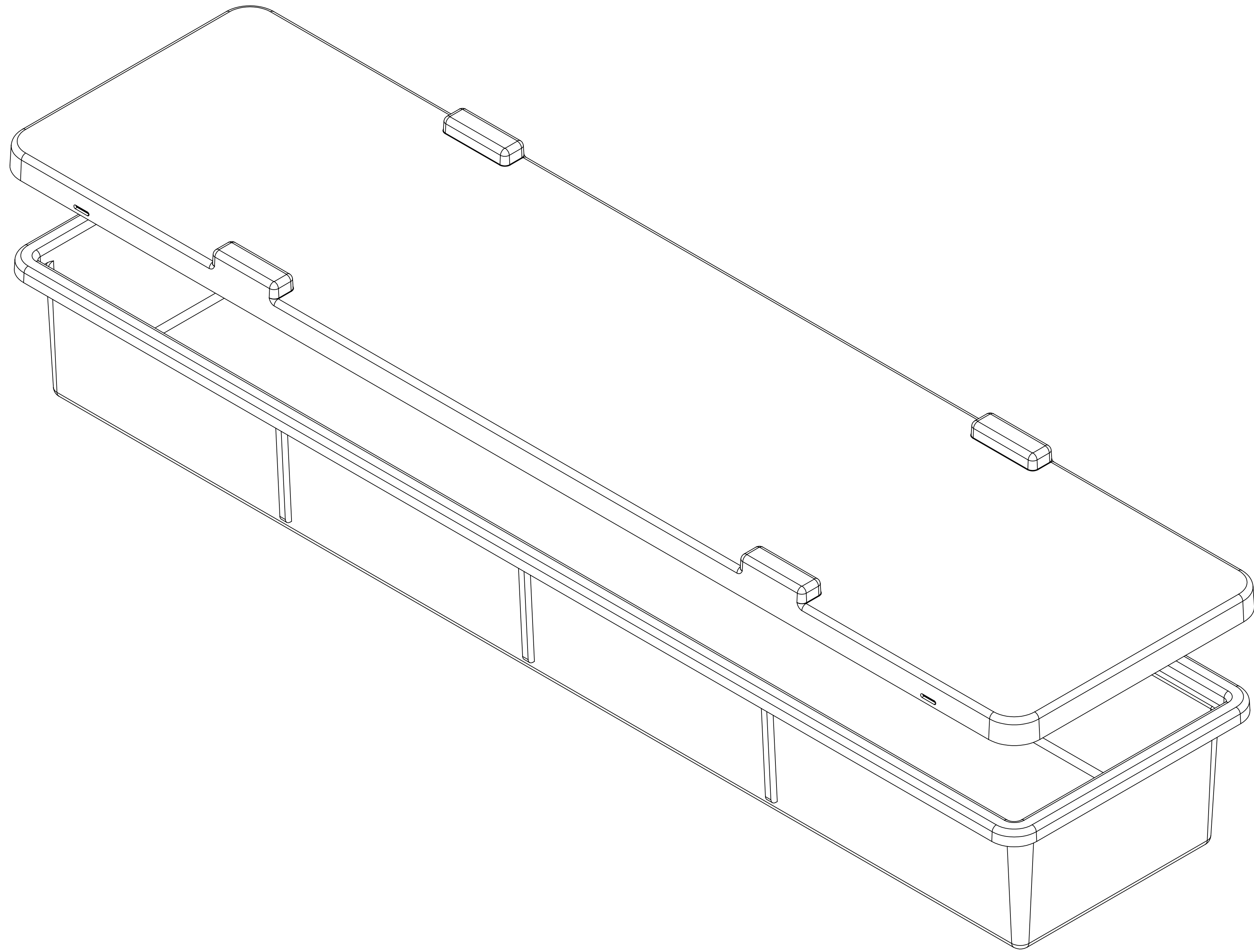


REV A
D 3386

REV A
D 3386

Hoosier Plastics, Inc.		Thermoformed Plastic Products	
2011 South Third St. Terre Haute, IN • Phone: (812) 232-5027 •			
PART NUMBER: 3346	REV A	UNLESS OTHERWISE SPECIFIED DIMENSIONS ARE IN INCHES DRAFT IS 3° DIMENSIONS TO CAVITY SIDE TOLERANCES: ANGULAR: ± DECIMAL: .020	DRAWN BY: MJM
DESCRIPTION: TUBE TRAY			DATE: 08/23/2004
CUSTOMER: ---			MATERIAL: DOW 555 ABS
CUSTOMER PART NUMBER: ---		THIS DESIGN IS THE SOLE PROPERTY OF HOOSIER PLASTICS, INC. UNTIL PURCHASED BY CUSTOMER	STOCK SIZE: 5.0" x 7.9" x 39.9"
SCALE: 1:2			SHEET 1 OF 2

8 7 6 5 4 3 2 1



Hoosier Plastics, Inc. Thermoformed Plastic Products

2011 South Third St. Terre Haute, IN • Phone: (812) 232-5027 •

PART NUMBER: 3346	REV A	UNLESS OTHERWISE SPECIFIED	DRAWN BY:
DESCRIPTION: ---		DIMENSIONS ARE IN INCHES DRAFT IS 3°	DATE:
CUSTOMER:		DIMENSIONS TO CAVITY SIDE	MATERIAL: ---
CUSTOMER PART NUMBER:		TOLERANCES: ANGULAR: 1° DECIMAL: .020	STOCK SIZE: ---
SCALE: 1:2		THIS DESIGN IS THE SOLE PROPERTY OF HOOSIER PLASTICS, INC UNTIL PURCHASED BY CUSTOMER	SHEET 2 OF 2