

# Evans Cabinet Corporation

## 1. History of company

Family owned and operated, **EVANS CABINETS** has specialized in kitchen and bath cabinetry since 1957. We provide all wood cabinetry built to your specifications for the Public Housing and Military Housing markets. In addition we have a complete line of cabinetry for the residential distributor, design showroom or sales representative. Our name is synonymous with solid construction, built to withstand either severe use or daily family routines. Evans' **50 plus year tradition** of excellence and quality has been built on flexibility and adaptability to meet our customer's needs through unquestionable service and support. If you are a General Contractor, Dealer, Distributor or Sales Representative contact us with your plans and specifications. For residential customers seeking a solidly crafted kitchen cabinet contact us for a dealer in your area.

## 3. Warranty

Evans Cabinet Corporation warrants that the goods sold hereunder shall be free from defects in material and workmanship under normal use and service. If any goods found to be defective prior to installation and not in excess of one year shall be replaced by new articles or parts thereof. No labor costs or other consequential damage will be allowed.

## 4. Pre-Production Requirements

Prior to any manufacturing operations for new contracts, we require a credit application and copy of all applicable bonding on contract jobs. For sales to distributors, we require a credit application and a face to face meeting by one of our sales staff.

Evans ships in full truck load volume only with freight included in our pricing (unless otherwise specified). If less than truck volumes or mixing of loads (different cabinet lines) is requested, it may be accommodated on a case-by-case basis.

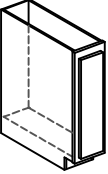
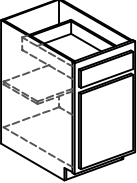
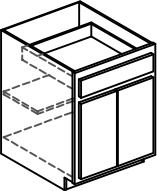
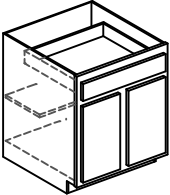
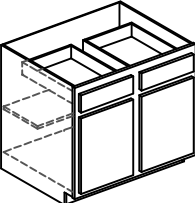
## 5. Specifications (refer to appendix c for different lines)

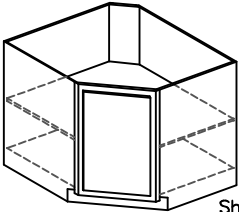
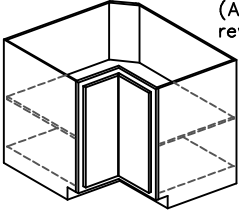
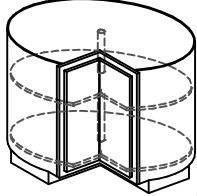
We specialize in oak, birch and poplar. Evans builds all cabinetry in standard 3 inch increments which facilitates more uniform quality and design as well as faster production. If your needs run outside the standard, simply ask and we will accommodate in whatever manner possible. Door styles include square raised panel, arched (cathedral) raised panel, routed raised panel, recessed panel, and slab door construction. A 3 step finishing process is incorporated with hand sanding between each step to insure a deep beautiful finish. Remember however that due to the inherent variations in wood species and grains from one tree to the next, each cabinet from door to frame to ends may, and usually, have variations that cannot be controlled in the production phase. Although we have listed in Appendix C of this catalog all our cabinet lines by specifications, these may be altered to fit your needs.

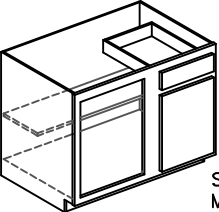
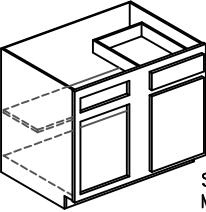
Prices will vary with changes to our standard lines, material costs, lead times required and non-standard construction sizes. Standard cabinet sizes are as follows and can be seen in Appendix A: Base cabinet 24" deep and 34 1/2" high, Vanity cabinet 21" deep and 30" high, Upper cabinet 12" deep (height varies), Broom/Pantry cabinet variable depth and 96" or 84" height. Specialty cabinets are available in our standard catalog.

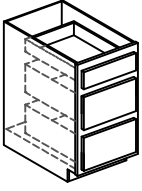
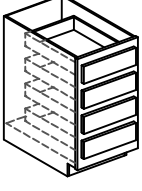
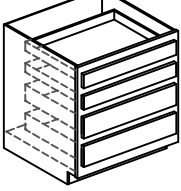
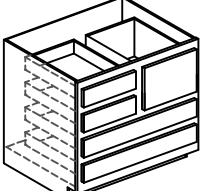
Cabinets are constructed of all wood (no particle board) unless otherwise specified. Cathedral doors on upper cabinets must be specified left or right. 9" Door not available in Cathedral style.

# Base Cabinets

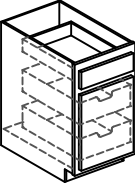
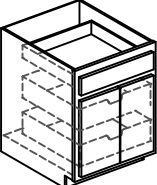
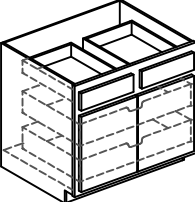
Bases	Code
 <p>Specify Hinged L/R</p>	TB9
 <p>Specify Hinged L/R</p>	B12 B15 B18 B21 B24
	B242
	B27
	B30 B33 B36 B39 B42 B45 B48

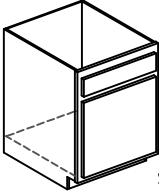
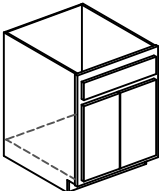
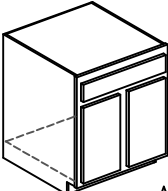
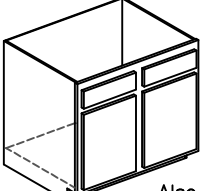
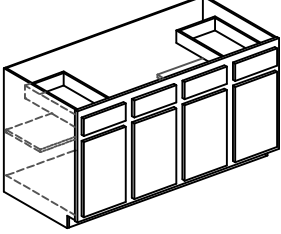
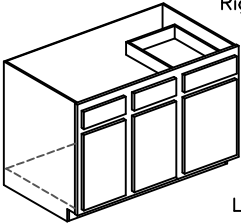
Corner Bases	Code
 <p>Shipped with 1 removeable shelf (Also available w/ revolving shelf)</p>	BCD3636 BCD3636RS
	BC363690 BC363690RS
 <p>Lazy Susan</p> <p>See Appendix A3</p>	LSCB36

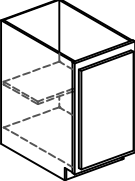
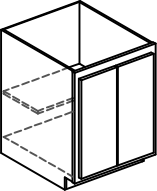
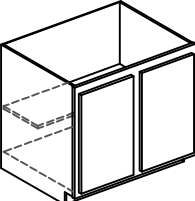
Blind Corner Bases	Code
 <p>Specify Blind L/R Max. Pull: 3"</p> <p>BCB54 &amp; 60 has Pair of Doors w/ center mullion</p>	BCB36 BCB42 BCB48 BCB54 BCB60
 <p>Reversible</p> <p>Specify Blind L/R Max. Pull: 4"</p> <p>See Appendix A2 for Cabinet Details.</p>	RBCB3627 RBCB3933 RBCB4239 RBCB4545

Drawer Bases	Code
 <p>3 Drawer Base</p>	DB123 DB153 DB183 DB213 DB243 DB303
 <p>4 Drawer Base</p>	DB124 DB154 DB184 DB214 DB244
 <p>Linen Drawer Base</p>	LDB30 LDB33 LDB36
 <p>Pantry Drawer Base</p>	PDB30 PDB33 PDB36

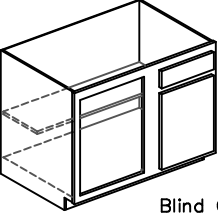
# Base Cabinets

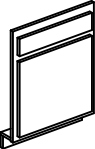
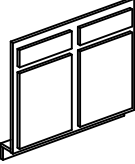
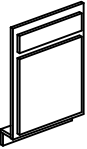
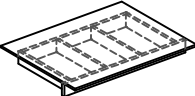
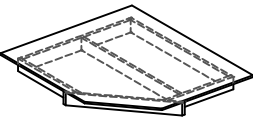
Roll Out Shelf Bases	Code
 <p>Specify Hinge L/R</p>	ROSB15 ROSB18 ROSB21 ROSB24
	ROSB242 ROSB27
	ROSB30 ROSB33 ROSB36

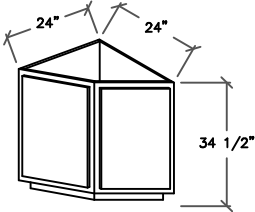
Sink Bases	Code
 <p>Specify Hinge L/R Also available with full height door</p>	SB24
 <p>Also available with full height doors</p>	SB242
 <p>Also available with full height doors</p>	SB27
 <p>Also available with full height doors</p>	SB30 SB33 SB36 SB39 SB42 SB45 SB48
	SB54 SB60 SB66 SB72
 <p>Right Hand Sink</p> <p>Left Hand Sink</p>	BSB42 BSB48 BSB54 BSB60 SBB42 SBB48 SBB54 SBB60

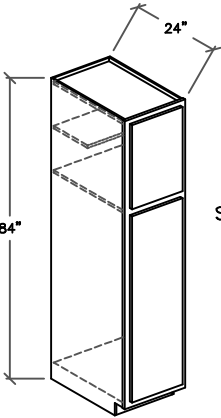
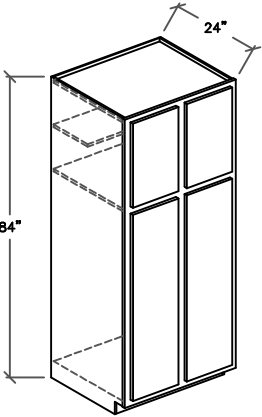
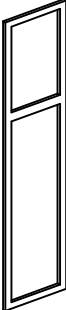
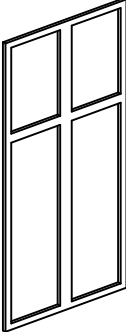
Bases, Full Height Door	Code
 <p>Specify Hinged L/R</p>	B12FH B15FH B18FH B21FH B24FH
	B242FH
	B27FH B30FH B33FH B36FH B39FH B42FH B45FH B48FH

# Base Cabinets

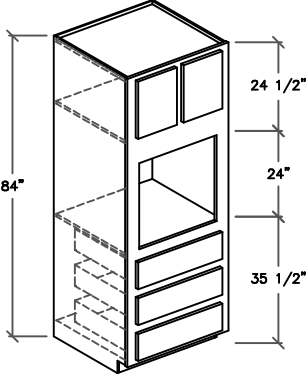
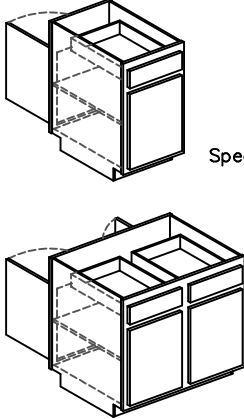
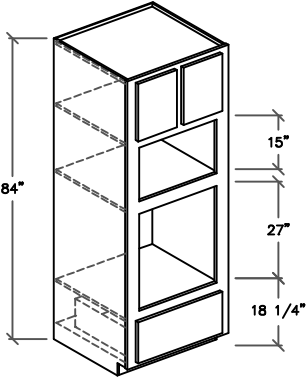
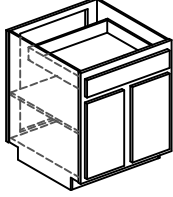
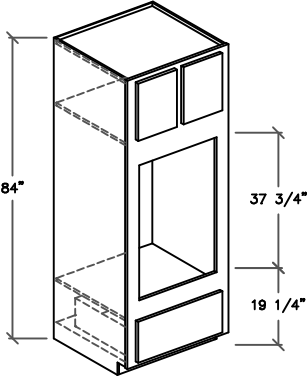
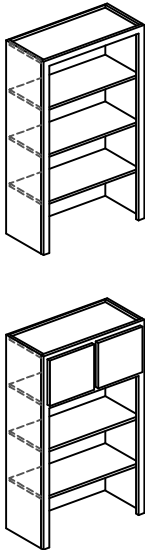
Sink Bases	Code
 <p>Blind Corner Sink Base Specify Blind L/R Max. Pull: 3"</p>	<p>BCSB54 BCSB60 BCSB66 BCSB72</p>

Sink Fronts	Code
 <p>SF24</p>	
 <p>SF30 SF36 SF42 SF48</p>	
 <p>Diagonal Sink Front</p> <p>DSF3636 DSF3939 DSF4242</p>	
 <p>Sink Front Floors</p> <p>SFF30 SFF36 SFF42 SFF48</p>	
 <p>DSFF3636 DSFF3939 DSFF4242</p>	

Angle End Base	Code
 <p>AEB</p>	

Broom Cabinets	Code
 <p>Specify Hinge L/R</p> <p>BRM128424 BRM158424 BRM188424 BRM218424 BRM248424</p>	
<p>Broom Closets also Available 12", 15", 18", 21" deep.</p>  <p>BRM278424 BRM308424 BRM338424 BRM368424</p>	
<p>Broom Closets also Available 96" high. (with separate toe kick)</p>  <p>BRMFR12 BRMFR15 BRMFR18 BRMFR21 BRMFR24</p>	
<p>BRM/Linen Fronts</p>  <p>BRMFR27 BRMFR30 BRMFR33 BRMFR36</p>	

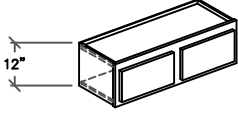
# Base Cabinets

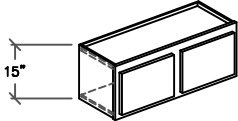
Oven Cabinets	Code	Peninsula Bases	Code
 <p><b>Universal</b></p> <p>Oven Cabinets also Available 96" high.</p>	<p>O272484U O302484U O332484U</p>	 <p>Specify Hinge L/R</p>	<p>PB12 PB15 PB18 PB21 PB24</p> <p>PB27 PB30 PB33 PB36</p>
 <p><b>Single Oven with Microwave</b></p>	<p>O272484MW O302484MW O332484MW</p>	<p><b>Island Base Corner Cabinet</b></p>  <p>See Appendix A4 for Cabinet Details.</p>	<p>Code</p> <p>IBCB27</p>
 <p><b>Double Oven</b></p> <p>Oven Cabinet Cut-Out Widths: 27" Cabinet - 20 1/2" min. 25" max 30" Cabinet - 23 1/2" min. 28" max 33" Cabinet - 26 1/2" min. 31" max</p>	<p>O272484D O302484D O332484D</p>	<p><b>Library Shelves</b></p> 	<p>Code</p> <p>LS301248 LS301254 LS301260 LS301266</p> <p>LS301248C LS301254C LS301260C LS301266C</p>

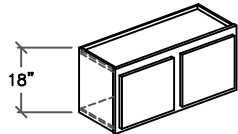
All Wall Cabinets are 12" deep unless otherwise noted.

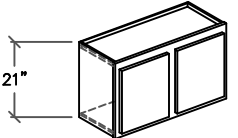
# Upper Cabinets

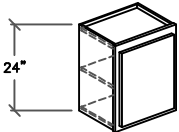
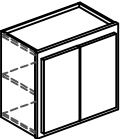
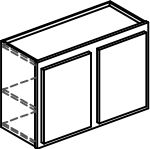
Single door upper cabinets are invertible for left or right hinging, except for Cathedral doors.

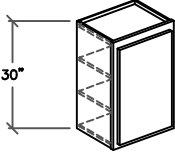
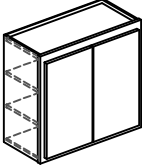
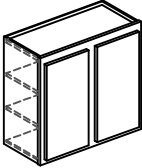
Upper - 12" High	Code
	W3012 W3312 W3612 W3912

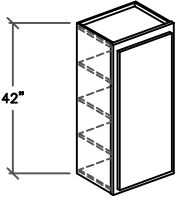
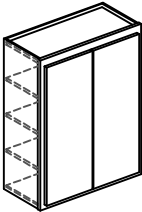
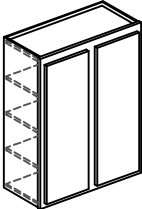
Upper - 15" High	Code
	W3015 W3315 W3615 W3915

Upper - 18" High	Code
	W3018 W3318 W3618 W3918 W4218

Upper - 21" High	Code
	W3021 W3321 W3621 W3921 W4221

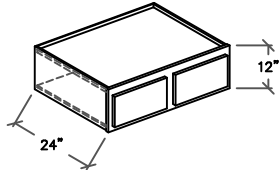
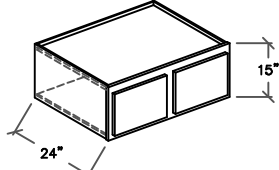
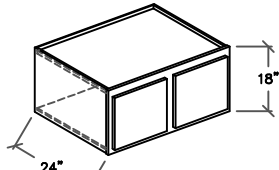
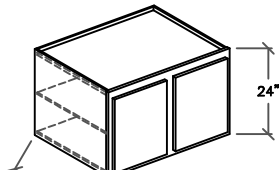
Upper - 24" High	Code
	W1824 W2424
	W24242
	W3024 W3324 W3624 W3924 W4224


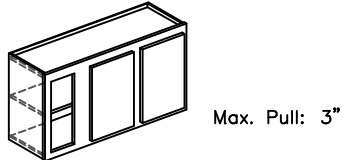
Upper - 30" High	Code
	W930 W1230 W1530 W1830 W2130 W2430
	W24302
	W2730 W3030 W3330 W3630 W3930 W4230 W4830
Also available in 36" Height	

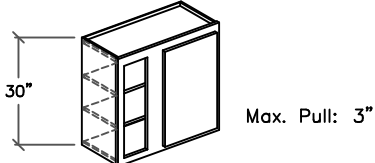
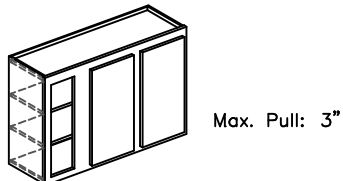
Wall - 42" High	Code
	W942 W1242 W1542 W1842 W2142 W2442
	W24422
	W2742 W3042 W3342 W3642

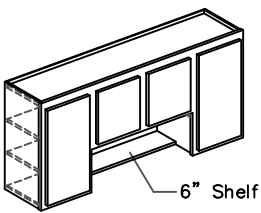
# Upper Cabinets

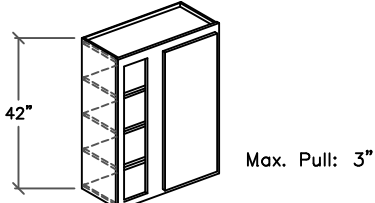
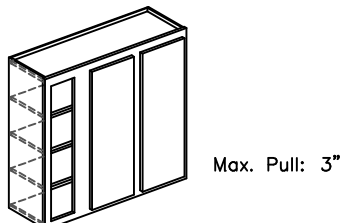
All upper cabinets are invertible for left or right hinging, except for Cathedral doors.

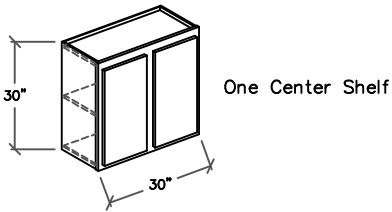
Refrigerator Wall Cabinet	Code
	W301224 W331224 W361224 W391224
	W301524 W331524 W361524 W391524
	W301824 W331824 W361824 W391824 W421824
	W331824 W361824 W391824

24" Blind Corner Cabinet	Code
	BCW2424 BCW3024 BCW3624
	BCW3924 BCW4224 BCW4824

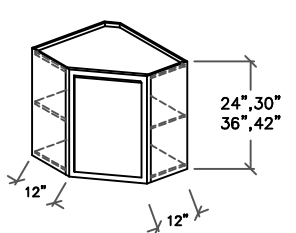
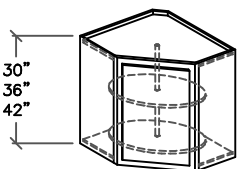
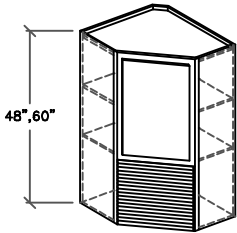
30" Blind Corner Cabinet	Code
	BCW2430 BCW3030 BCW3630
	BCW3930 BCW4230 BCW4830
Also available in 36" Height	

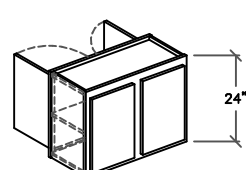
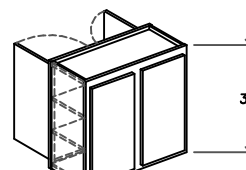
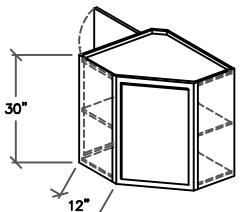
Upper Combo	Code
	W5430OS W6030OS W6630OS W7230OS

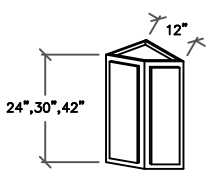
42" Blind Corner Cabinet	Code
	BCW2442 BCW3042 BCW3642
	BCW3942 BCW4242 BCW4842

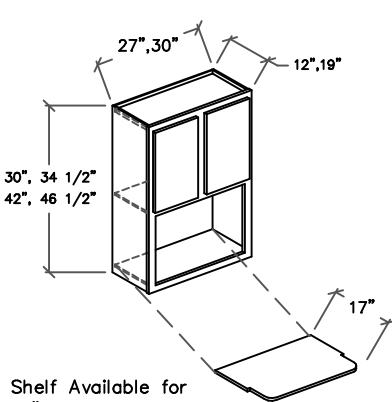
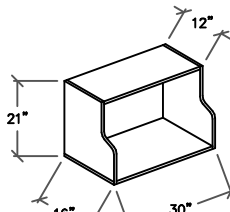
Washer/Dryer Cabinet	Code
	WDC3030

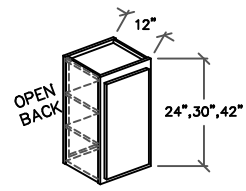
# Upper Cabinets

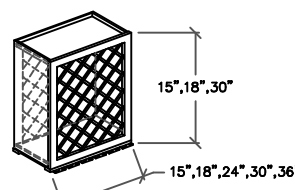
Diagonal Corner Cabinet	Code
	CWC24 CWC30 CWC36 CWC42
 <p>With Lazy Susan</p>	CWC30RS CWC36RS CWC42RS
 <p>With Appliance Garage</p>	DCAG48 DCAG60

Peninsula Upper Cabinets	Code
	PW3024 PW3624
	PW2430 PW2730 PW3030 PW3330 PW3630
 <p>Diagonal Corner</p>	PCW242430

Angle End Upper Cabinet	Code
	AEW24 AEW30 AEW42

Microwave Cabinet	Code
 <p>Shelf Available for 12" deep MW Cabinets</p>	MW27461/212 MW3030 MW30341/212 MW30341/219 MW3042 MW30461/212 MW30461/219 MWS25 1/2x17 MWS28 1/2x17
 <p>Microwave Shelf</p>	MWS3021

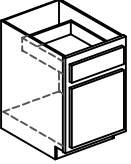
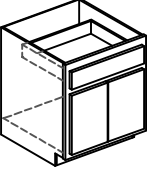
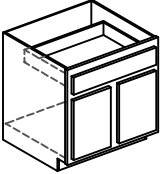
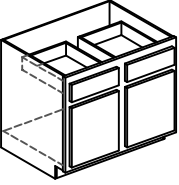
Island Upper Corner Cabinet	Code
	IWCC1524 IWCC1530 IWCC1542

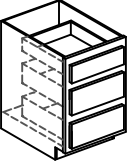
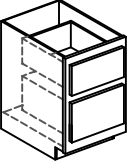
Wine Rack Cabinet	Code
	WR1530 WR1830 WR2430 WR3015 WR3018 WR3615 WR3618

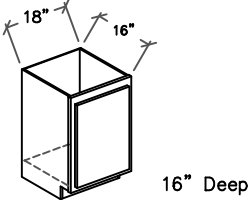
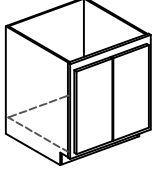
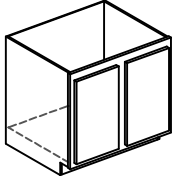
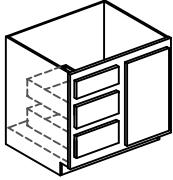
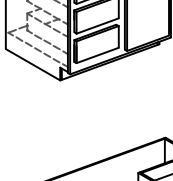
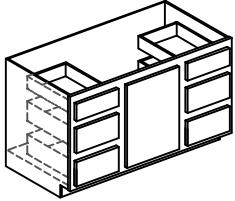
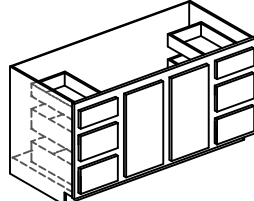
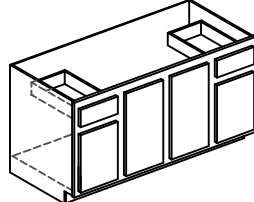


All Vanities are  
21" deep and 30" high  
unless otherwise noted.

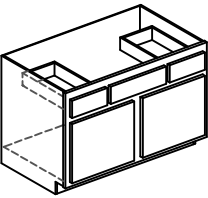
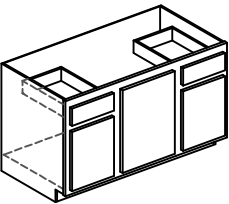
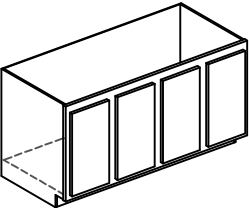
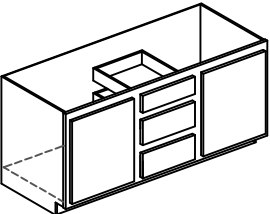
# Vanity Cabinets

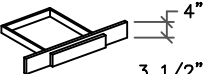
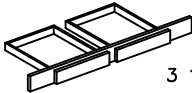
Vanity Base	Code
 <p>Specify Hinged L/R</p>	VB12 VB15 VB18 VB21 VB24
	VB242
	VB27
 <p>Also available with full height doors</p>	VB30 VB33 VB36

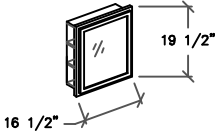
Vanity Drawer Base	Code
	VDB12 VDB15 VDB18 VDB21 VDB24
 <p>With File Drawer</p>	VDB182F

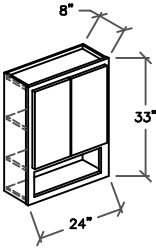
Vanity Sinkbase	Code
 <p>18" 16" 16" Deep</p>	VSB1816
	VSB242FH
	VSB27FH VSB30FH VSB36FH
 <p>Right Hand Sink</p>	VDBSB24 VDBSB30 VDBSB36
 <p>Left Hand Sink</p>	VSBDB24 VSBDB30 VSBDB36
	VDDBSBDB48
	VDDBSBDB54 VDDBSBDB60 VDDBSBDB66 VDDBSBDB72
	VSB54 VSB60 VSB66 VSB72

# Vanity Cabinets

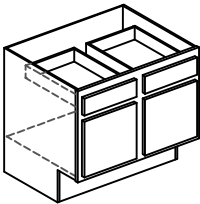
Vanity Sinkbase	Code
	VSB36DD VSB42DD VSB48DD
	VSB48DD 3DRS
	VSBVSB54 VSBVSB60
	VSBDBSB60 VSBDBSB66 VSBDBSB72

Vanity Drawer Units	Code
 3 1/2" x 18 1/2" Drawer Trimable 6" each end	VDU30 VDU36
 3 1/2" x 14" Drawers Trimable 3" each end	VDU42 VDU48

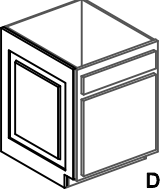
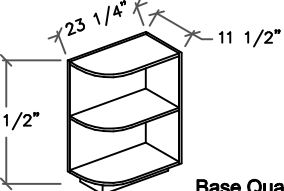
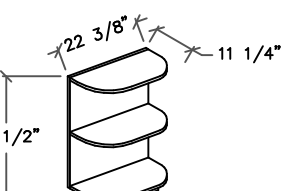
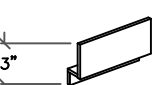
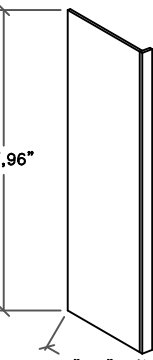
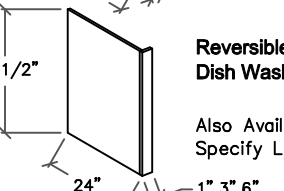
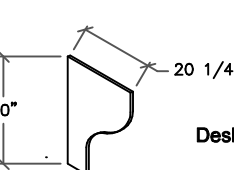
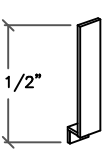
Medicine Cabinet	Code
 Available with wood door or prepared for mirror.	MED1619

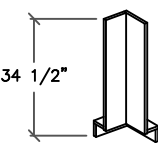


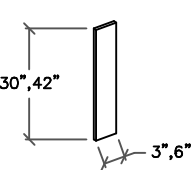
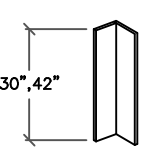

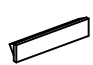
Toilet Topper	Code
	TT24338

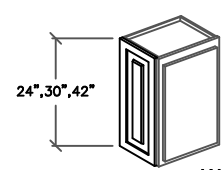
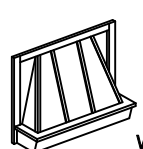
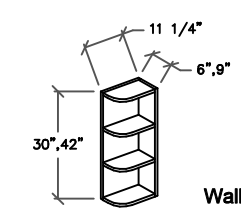
# Handicap Cabinets

Handicap Toe Kick	Code
 8 3/4" h x 6 1/2" d Toe Kick Available in Most Std. Base, Sinkbase, and Blind Corner Sizes.	*HC

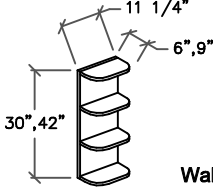
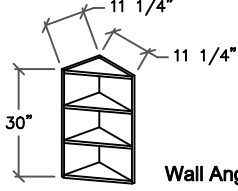
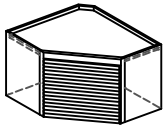
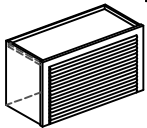

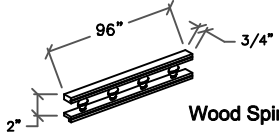

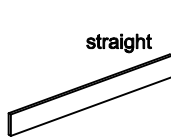

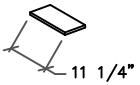
# Miscellaneous Items

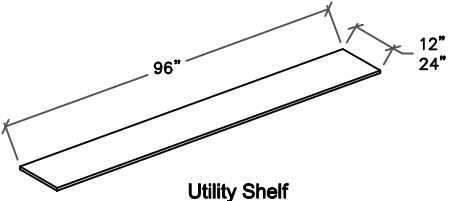


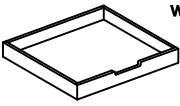
Base Misc. Items	Code
 <p>Decorator Base Panel</p>	DBP
 <p>Base Quarter Circle Shelf</p>	BQCS
 <p>Base Half Circle Shelf</p>	BHCS
 <p>Range Front</p>	RF30
 <p>Refrigerator End Panel</p>	RE18412 RE18424 RE38412 RE38424 RE19612 RE19624 RE39612 RE39624
 <p>Reversible Dish Washer End Panel</p> <p>Also Available w/ Toe Kick Specify L/R</p>	DWEP1 DWEP3 DWEP6
 <p>Desk End Panel</p>	DEP
 <p>Base Filler</p>	BF1 BF3 BF6

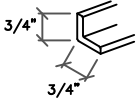
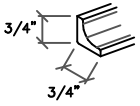
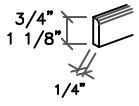
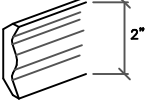
Base Misc. Items	Code
 <p>Corner Base Filler</p>	CBF1x1 CBF3x3 CBF6x6
 <p>Toe Kick Filler</p>	BFTK3 BFTK6
 <p>Corner Toe Kick Filler</p>	BFTK3x3 BFTK6x6
 <p>3/4" Thick Filler</p>	F330 F342 F630 F642
 <p>3/4" Thick Corner Filler</p>	F3x330 F3x342 F6x630 F6x642
 <p>Toe Kick Cover</p> <p>3/16" x 3 1/2" x 96" Specify Stained or Black</p>	TKCST TKCBLK
 <p>Tilt Out Tray</p>	TOTRAYS

Upper Misc. Items	Code
 <p>Wall Decorator Panel</p>	WDP24 WDP30 WDP42
 <p>Wood Range Hood</p>	RH30 RH36
 <p>Wall Quarter Circle Shelf</p>	WQC630 WQC642 WQC930 WQC942

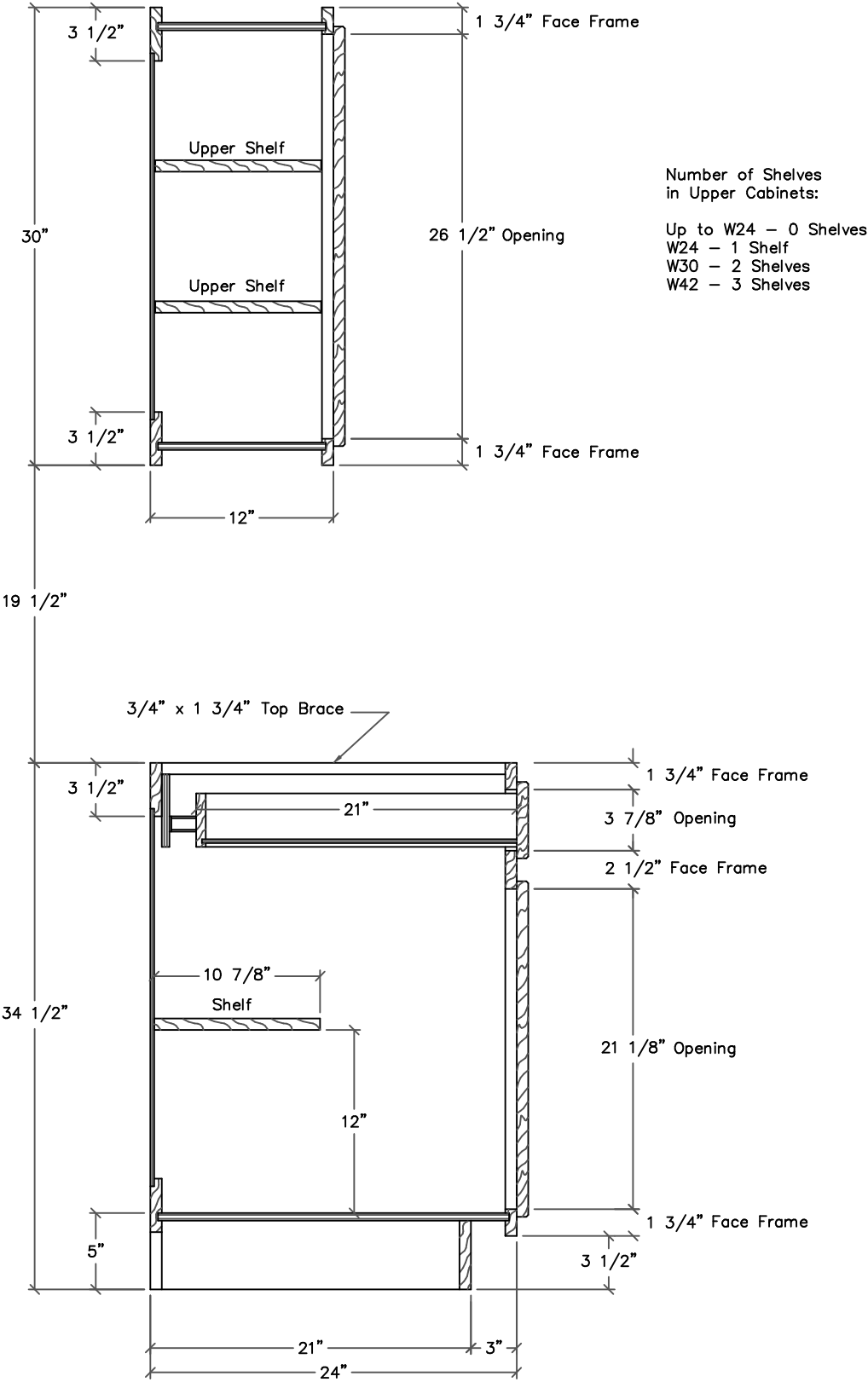
# Miscellaneous Items

Upper Misc. Items	Code
 <p>Wall Half Circle Shelf</p>	<p>WQC630 WQC642 WQC930</p>
 <p>Wall Angle Shelf</p>	<p>WAS</p>
 <p>Appliance Garages</p>	<p>APPGA18</p>
 <p>Appliance Garages</p>	<p>APPGA30</p>
 <p>Wine Glass Holder</p>	<p>WR24GH WR30GH WR36GH</p>
 <p>Wood Spindle Rail</p>	<p>WSR8</p>
 <p>scalloped</p>	<p>V36S V48S V60S V72S</p>
 <p>straight</p>	<p>V36 V48 V60 V72</p>
 <p>Wall Filler</p>	<p>WF1 WF3 WF6</p>
 <p>Wall Filler Return</p>	<p>WFR1 WFR3 WFR6</p>

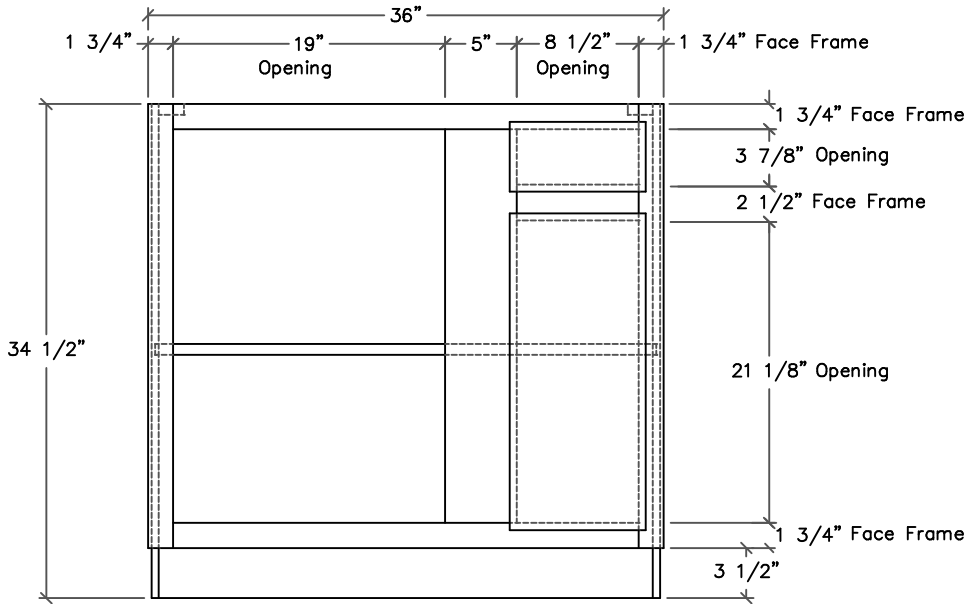
Shelves	Code
 <p>Utility Shelf</p>	<p>US.751296 US.752496</p>
 <p>Shelf Brace Support</p>	<p>SBS9</p>
 <p>Broom Cabinet Shelf Kit w/ 4 Adjustable Shelves</p>	<p>K1216 K1516 K1816 K2116 K2416 K2716 K3016 K3316 K3616</p>
 <p>Roll Out Shelf Kit w/ 2 Roll Out Shelves</p>	<p>ROSK15 ROSK18 ROSK21 ROSK24 ROSK27 ROSK30 ROSK33 ROSK36</p>

Molding	Code
 <p>Outside Corner</p>	<p>OSC</p>
 <p>Cove</p>	<p>COVE</p>
 <p>Scribe</p>	<p>SM.75 SM1.125</p>
 <p>Crown</p>	<p>CM</p>

# Cabinet Details



# Cabinet Details

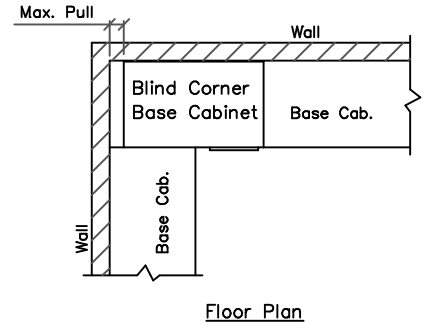


## Blind Corner Base Cabinet

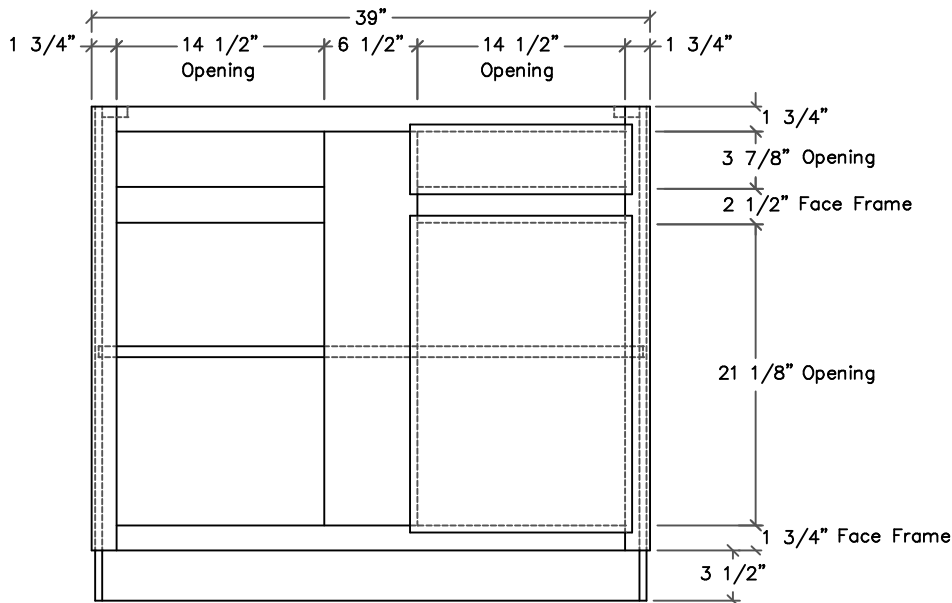
BCB36L Shown

Door Opening Width:

BCB36	8 1/2"
BCB42	14 1/2"
BCB48	20 1/2"
BCB54	Pair 11 1/2" w/ center mullion
BCB60	Pair 14 1/2" w/ center mullion



Note:  
Maximum "Pull" for all BCB's is 3"



## Reversible Blind Corner Base

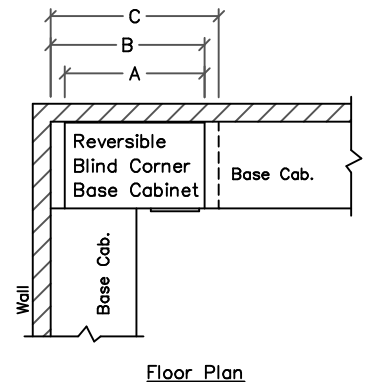
RBCB4239 Shown

Door Opening Width:

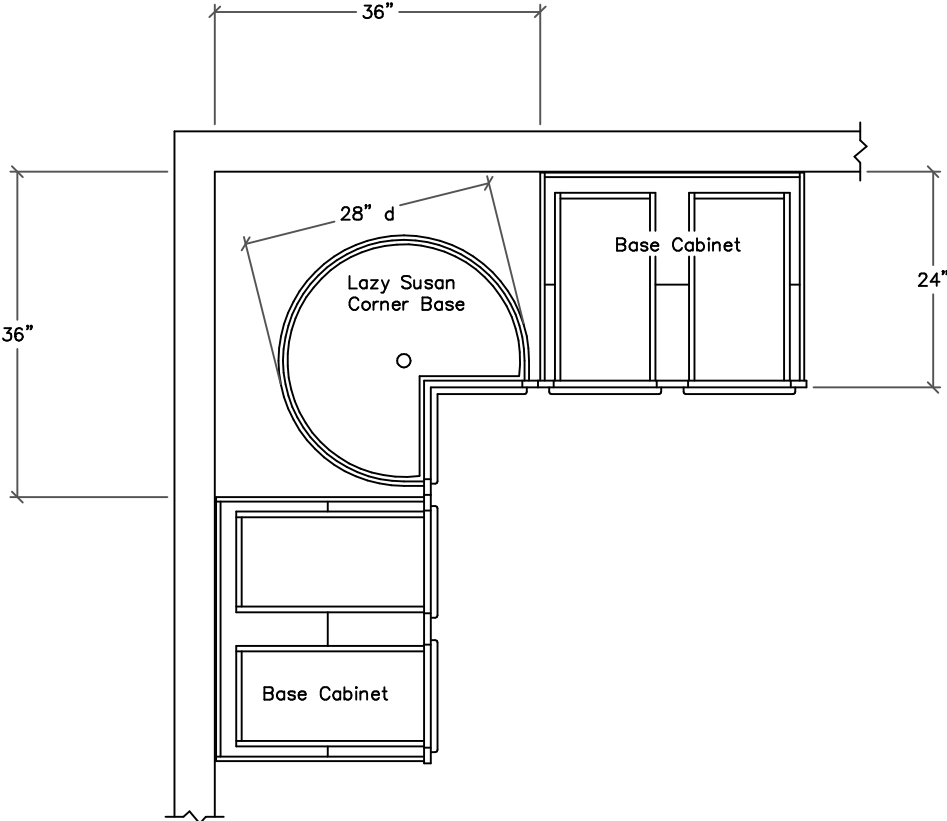
RBCB3627	8 1/2"
RBCB3933	11 1/2"
RBCB4239	14 1/2"
RBCB4545	17 1/2"

A: Actual Cabinet Width  
B: Min. space to place Cabinet  
C: Max. space to place Cabinet

	A	B	C
RBCB3627	27"	36"	40"
RBCB3933	33"	39"	43"
RBCB4239	39"	42"	46"
RBCB4545	45"	45"	49"

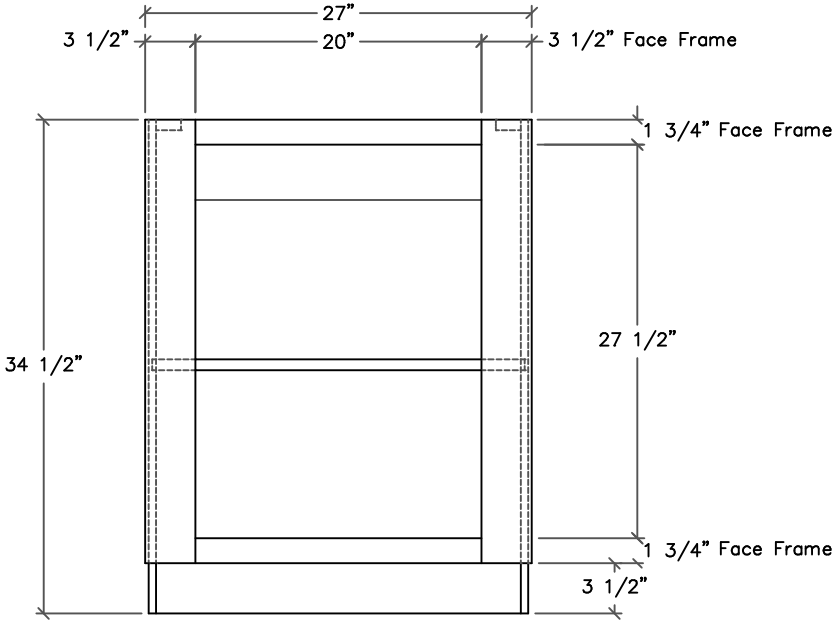


# Cabinet Details



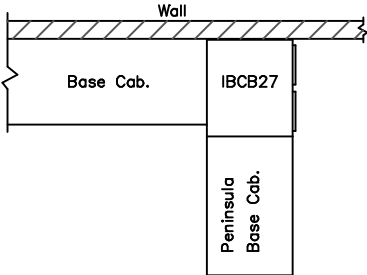
Lazy Susan Corner Base Cabinet (LSCB36)

# Cabinet Details

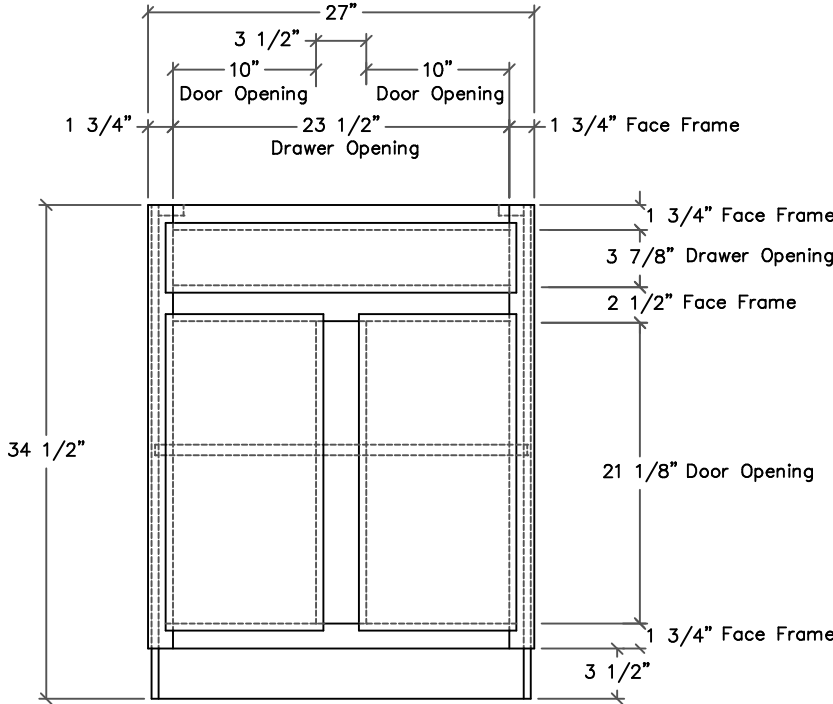


Rear View

**Island Base Corner Cabinet (IBCB27)**



Floor Plan



Front View

Note:  
IBCB27 is Reversible



# Cabinet Abbreviations

**ADJSPLASH-L** Adjustable end splash used on countertops at the end of a run next to a wall or broom cabinet.  
**ADJSPLASH-R** Adjustable end splash used on countertops at the end of a run next to a wall or broom cabinet.  
**AEB** Angle End Base Cabinet  
**AEW** Angle End Wall Cabinet  
**APPGA (18)** Appliance Garage (Corner Wall Cabinet Design)  
**APPGA (30)** Appliance Garage (Standard Cabinet use in sizes 18"-36")  
**B** Standard Base Cabinet  
**B242** Standard Base Cabinet 24"w with 2 doors no center stile  
**BAS** Base Angle Shelf  
**BASESKIN** Base Skin  
**BAT** Batten Molding  
**BC** Base Corner Cabinet -pie shaped. May have a diagonal or L shaped (with piano hinge) door.  
**BCB** Blind Corner Base Cabinet (specify blind corner)  
**BCB-SB** Blind Corner Base Cabinet (specify blind corner) with combination sink base.  
**BCD** Blind Corner Diagonal Corner Cabinet  
**BCSB** Blind Corner Sink Base Combination Cabinet  
**BCW** Blind Corner Wall Cabinet (Specify Blind-Square Corner Left or Right)  
**BCxxxxxRS** Base Corner Cabinet with revolving shelf-May have a diagonal or L shaped (with piano hinge) door.  
**BEP** Base End Panel  
**BFTK3** Base Filler Toe Kick-3"  
**BFTK6** Base Filler Toe Kick-6"  
**BHCS** Base Half Circle Shelf  
**BLANK** False Front located on all base cabinets with a sink in the place of a drawer.  
**BQCS** Base Quarter Circle Shelf  
**BRM** Broom Cabinet. Listed as WxHxD. 24"W BRM has no center stile-doors butt. One shelf in top section.  
Listed as PTY (pantry) when a shelf kit of 4 adjustable shelves is installed in "bottom section. Single door cabinets are listed as R or L. Standard heights are 96" or 84".  
**BSB** Combination Sink Base Cabinets.  
**CBFTK33** Corner Base Toe Kick-3"x 3"  
**CBFTK66** Corner Base Toe Kick-6"x 6"  
**CM** Crown Molding 8', 10' or 12' Lengths  
**COVE** Cove Molding 8' Lengths  
**CSF42** Corner Sink Front 42"  
**CTK** Corner Toe Kick  
**CTMOLD** Counter Top Molding-8' Lengths  
**CWC** Diagonal corner wall cabinets  
**CWCxxRS** Diagonal corner wall cabinets with revolving shelf(s)  
**DB** Drawer Base  
**DBP** Decorator Base Panel  
**DBxx3** Drawer Base Cabinet. Standard kitchen DB-4 drawers and vanity cabinets have 3 drawers.  
**DBxx4** Drawer Base Cabinet. Standard kitchen DB-4 drawers and vanity cabinets have 3 drawers.  
**DCAG** Diagonal corner wall cabinet with appliance garage.  
**DCAGxxRS** Diagonal corner wall cabinet with revolving shelf(s) and appliance garage.  
**DEP** Desk End Panel  
**DOBP84** Decorator Oven Base Panel-84"  
**DOBP96** Decorator Oven Base Panel-96"  
**DOOR** Cabinet Door  
**DR** Door  
**DSF** Diagonal Sink Front  
**DSFF** Diagonal Sink Front Floor  
**DW** Dishwasher Decorator Panel

# Cabinet Abbreviations

**DWEP1** Reversible Dishwasher End Panel - 1"  
**DWEP3** Reversible Dishwasher End Panel - 3"  
**DWEP6** Reversible Dishwasher End Panel - 6"  
**DWR** Drawer  
**EB** Edge Banded  
**F3** Filler 3"x31"  
**F33** Corner Filler 3"x3"x31"  
**F3x42** Filler 3"x42"  
**F3x84** Filler 3"x84"  
**F3x96** Filler 3"x96"  
**F6** Filler 6"x31"  
**F6x42** Filler 6"x42"  
**F66** Filler 6"x6"  
**F6x84** Filler 6"x84"  
**F6x96** Filler 6"x96"  
**FF75175** Face Frame Material  
**FH** Standard Base Cabinet with full height doors and no drawer.  
**FTB4** Furniture Toe Board-4x96  
**FWCTOP** Finished Wood Counter Top  
**GAL. STAIN** Gallon Stain  
**IBCB** Island Blind Corner Base  
**IWCC** Island Blind Corner Base  
**K** Shelf Kit-comes in set of 4 for Pantry Cabinets  
**L** Left Hinging  
**LDB** Linen Drawer Base  
**LS** Librarian Cabinet  
**LSCB** Lazy Susan Corner Base  
**MEDCAB** Medicine Cab  
**MW** Microwave Cabinet w/Shelf  
**OSC** Outside Corner Molding.  
**OxxxxxxU** Universal Oven Cabinet WxHxD  
**OxxxxxD** Oven Cabinet WxHxD for Double Oven cabinet.  
**OxxxxxMW** Oven Cabinet WxHxD w/Microwave opening  
**PB** Peninsula Base (L-left door hinging, R-right door hinging)  
**PBCB** Peninsula Blind Corner Base (specify blind-square corner right or left)  
**PBCW** Peninsula Blind Corner Wall (specify blind-square corner left or right)  
**PDB** Pantry Drawer Base  
**PLASTIC** Plastic laminate. Sold in standard sizes (18", 24" or 30" High and 1' Length increments).  
**PLY.125** Sheet of Plywood-1/8" Thick  
**PLY.25** Sheet of Plywood-1/4" Thick  
**PLY.50** Sheet of Plywood-1/2" Thick  
**PLY.75** Sheet of Plywood-3/4" Thick  
**PRBC** Peninsula reversible blind corner base  
**PSB** Peninsula sink base.  
**PW** Peninsula Wall cabinets  
**R** Right Hinging  
**RB** Range Base  
**RBCB** Reversible Blind Corner Base  
**RBP** Range Base Panel  
**REF** Refrigerator End Panel. WxHxD  
**RF** Range Front  
**RH** Range Hood  
**ROSB** Roll out shelf base (L or R signify left or right door hinging)  
**ROSK** Rollout out shelf kit (set of 2). Can be used in Pantry cabinets.

# Cabinet Abbreviations

**RS** Revolving shelf (available in Lazy Susan Base, Corner Wall Cabinets and Diagonal Corner Cabinets).  
**SAMPFR** Sample Front  
**SB** Standard Sink Base cabinet. Single door cabinets listed as R or L hinging.  
**SBS9** Shelf Brace Support  
**SF** Sink Front  
**SFF** Sink Front Floor  
**SHF** Shelf 11" x96" or 20" x96"  
**SM** Scribe Molding-comes standard in 3/4" or 1 1/8" Widths. 1 1/8" size comes in 6', 8' or 10' lengths.  
3/4" Scribe is also available in 1/4" round layout.  
**SR** Spindle rail comes in 6' or 8' lengths.  
**SOFFITT** 1/4", 1/2" or 3/4" plywood stained for soffitt or furring. Comes in standard sizes 11 7/8" x 96."  
**TB** All 9"w Base Cabinets have a single door and are listed as TB9.  
**TKCST** Toe Kick Cover Stained  
**TOTRAYS** Tilt-out Trays-set of 2  
**US** Utility Shelf. Thickness x Depth x Length  
**Vxx** Valance cut straight  
**VxxS** Valance cut with scalloped bottom  
**VB** Standard Vanity Base cabinet  
**VDB** Vanity Drawer Base. Comes standard with 3 drawers.  
**VDBxx2D** Vanity Drawer Base with 2 file drawers.  
**VDBSB** or Vanity drawer base and sink base combination. The sink base (SB) will be on the left  
**VSDBB** or the right depending on the location in the name (VDBSB-sink base will be on the right)  
**VDU** Vanity Drawer Unit (desk unit)  
**VEP** Vanity End Panel  
**VS** Standard vanity sink base cabinet.  
**VSBxxCombo** Vanity sink base combination. Refer to specific cabinet for combination sizes.  
**VSBxxDD** Vanity sink base with double drawers (2 drawers with center false front)  
**W** Standard wall cabinet also known as an upper Cabinet.  
**WALLSKIN** Wall Skin  
**WAS** Wall Angle Shelf  
**WC1515** Wall Corner Closure  
**WCxxxxOS** Wall combination cabinet with open shelf in center section.  
**WDC** Washer/Dryer cabinet. No doors.  
**WDP** Wall decorator panel  
**WF** Wall filler  
**WFR** Wall filler return  
**WHC** Wall Half Circle  
**WQC** Wall Quarter Shelf  
**WRxxGH** Wine Glass Holder  
**WSR8** Wood Spindle Rail-8' Lengths  
**WxxxxWR** Wall cabinet with wine rack. Standard wine rack is 11"h  
**Wxxxx-xxDP** Standard wall cabinet of varying depth. Normally over a refrigerator this would be 24" Deep.

# Cabinet Specifications

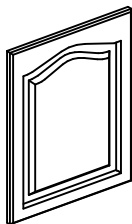
	<b>Heritage</b>	<b>Heritage-Plus</b>	<b>Special</b>	<b>Colonial</b>	<b>Savannah</b>
Finished Ends:	1/2" Oak	1/2" Oak	1/2" Oak	1/2" Birch	1/2" Birch
Unfinished Ends:	1/2" Lauan	1/2" Lauan	1/2" Lauan	1/2" Lauan	1/2" Lauan
Face Frames:	Oak	Oak	Oak	Birch	Birch
Drawer Sides:	5/8" Pine	5/8" Pine	5/8" Pine	5/8" Pine	5/8" Pine
Drawer Bottoms:	1/4" Birch	1/4" Birch	1/8" Birch	1/4" Birch	1/8" Birch
Base Bottoms:	1/4" Lauan	1/2" Lauan	1/8" Lauan	1/4" Lauan	1/8" Lauan
Backs:	1/8" Lauan	1/4" Lauan	1/8" Lauan	1/8" Lauan	1/8" Lauan
Wall Tops/Bottoms:	1/2" Lauan	1/2" Lauan	1/2" Lauan	1/2" Birch	1/2" Lauan
Base Shelves:	3/4" Lauan Fixed *	3/4" Lauan Fixed *	1/2" Lauan Fixed *	1/2" Lauan Fixed *	1/2" Lauan Fixed *
Upper Shelves:	3/4" Vinyl Coat Adj.*	3/4" Vinyl Coat Adj.*	1/2" Vinyl Coat Adj.*	1/2" Vinyl Coat Adj.*	1/2" Vinyl Coat Adj.*
Toe Kicks:	3/4" Pine – Black	3/4" Pine – Black	3/4" Pine – Black	3/4" Pine – Black	3/4" Pine – Black
Drawer Runners:	KV2806 100lb	KV2806 100lb	KV1276 60lb	KV2806 100lb(epoxy)	KV1276 60lb
Hardware:	Concealed	Concealed	Concealed	Concealed	Wrap Around

	<b>HUD/CSP</b>	<b>Military 3/4 1/2</b>	<b>Military 3/4 3/4</b>	<b>Lancaster **</b>
Finished Ends:	1/2" Gum	3/4" Oak	3/4" Oak	1/2" Lauan
Unfinished Ends:	1/2" Pine	3/4" Lauan	3/4" Lauan	1/2" Lauan
Face Frames:	Birch/Poplar	Oak	Oak	Birch
Drawer Sides:	5/8" Pine	5/8" Pine	5/8" Pine	5/8" Pine
Drawer Bottoms:	1/4" Pine	1/4" Birch	1/4" Birch	1/8" Birch
Base Bottoms:	1/2" Pine	1/2" Lauan	3/4" Lauan	1/4" Lauan
Backs:	1/4" Pine	1/4" Lauan	1/4" Lauan	1/8" Lauan
Wall Tops/Bottoms:	1/2" Pine	1/2" Lauan	1/2" Lauan	1/2" Lauan
Base Shelves:	1/2" Pine Fixed	3/4" Lauan Fixed *	3/4" Lauan Fixed *	1/2" Lauan Fixed *
Upper Shelves:	1/2" Pine Fixed	3/4" Lauan Adjustable *	3/4" Lauan Adjustable *	1/2" Lauan Fixed *
Toe Kicks:	3/4" Pressure Treated Pine	3/4" Pine – Black	3/4" Pine – Black	3/4" Pine – Black
Drawer Runners:	KV1376 75lb	KV1376 75lb	KV1376 75lb	KV1276 60lb
Hardware:	Wrap Around	Concealed or Wrap Around	Concealed or Wrap Around	Wrap Around

\* Edge Banded

\*\* Rubber Wood Doors and Drawer Fronts

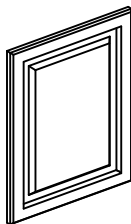
## Door Styles



**"Cathedral"**

(Raised Panel)

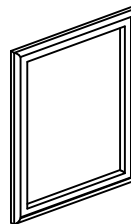
Ash, Birch, Oak, Poplar



**"Plantation"**

(Raised Panel)

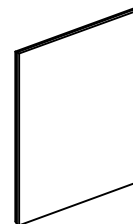
Ash, Birch, Oak, Poplar



**"Ashley"**

(Recessed Panel)

Birch, Oak, Poplar



**"Slab"**

Birch, Oak

# Counter Tops

