

Figure 1

1. Roll awning down by hooking pull strap with the hook end of the Awning Helper.
2. Release rafter arms from locked position.
3. Pivot cradle end of Awning Helper under ratchet stud cap. (This releases ratchet stud.) **Figure 1.**
NOTE: The cradle with its rubber coated prongs must straddle tube or the ratchet stud could be damaged. See Figure 3.

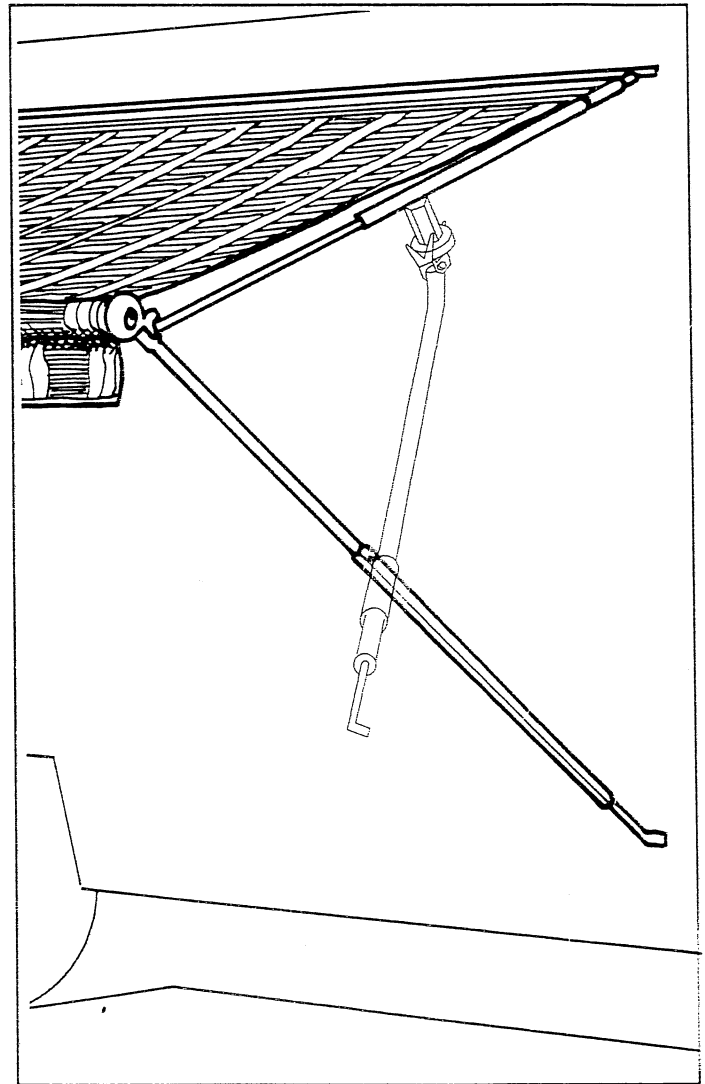


Figure 2

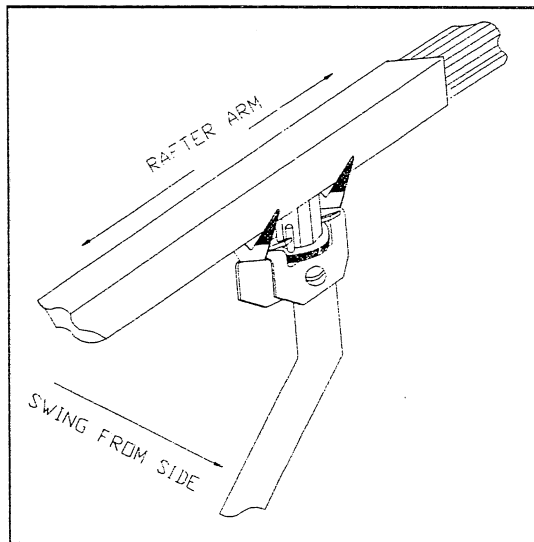


Figure 3

4. Using awning helper, raise rafter arm and position claw in the rafter key lock. **Figure 2.**
5. Pivot Awning Helper off of rafter arm.
6. Lock rafter arm in position by pushing outward on the roller tube or main arm bar.
7. Raise awning to desired height using main arms.

Note: Proper maintenance is important to smooth operation. Clean arms by separating rafter tube from bar, wiping bar and lubricating with silicone spray. Also lubricate ratchet stud with silicone spray. Annual lubrication is recommended.