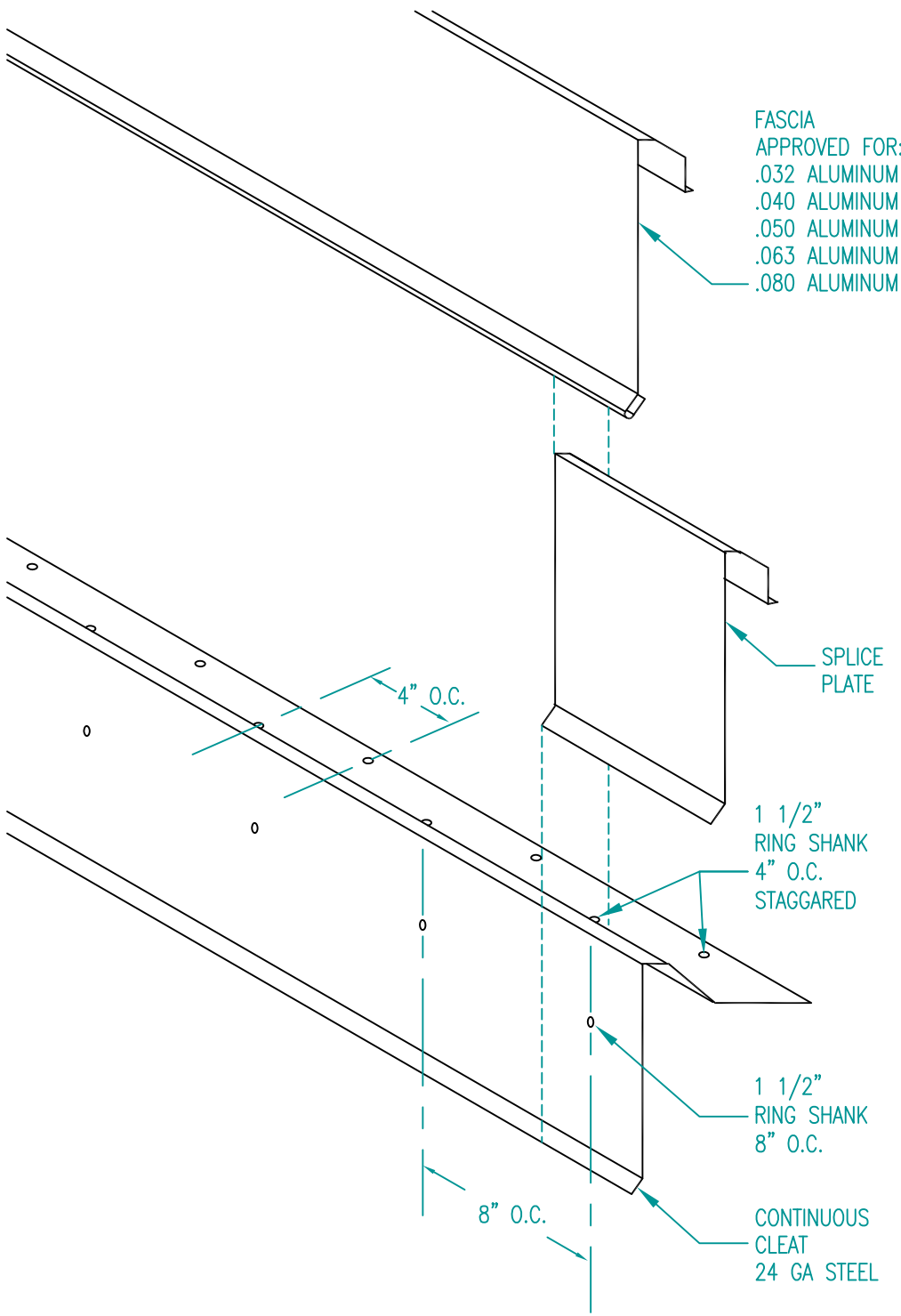


F-011

Snap-on Fascia System

Snap-Right® Roof Edge Products

JOB NAME		
LOCATION		
CUSTOMER		
CONTACT INFORMATION	ADDRESS	LINEAR FEET QUANTITY:
	PHONE / FAX	
	E-MAIL	
ORDER DATE:	REQUIRED DELIVERY DATE:	



- A. Insure all substrates and are installed properly and in accordance with contract documents.
- B. Insure Roofing Membrane and Ice & Water Shield are properly installed according to manufacterers recommendations
- C. Install cleats, face fasten with 1 1/2" Ring Shanks at 8" o.c. and 2" min edge clearance. Top fasten with 1 1/2" Ring Shanks at 4" o.c. staggared and 1 1/2" min edge clearance for all straight runs of material. Center run between required corner miters and elevation changes, (corner miters to have 2'-0" minimum leg lengths).
- D. Install Splice Plates as shown with 1/4" sealant bead continuous along concealed edge.
- E. Install Fascia only after metal has been cleaned, preped, and quality checked for compliance with project specifications. Quality control is the critical factor here as the Snap-Right System is a fast and economical system that requires no adjusting once installed.

F-011

Snap-on Fascia System Installation Specifications

Division 7 Mtls' Snap-Right® Roof Edge Products

ANSI/SPRI ES-1 Certified