



GO PLAY :) SYSTEM 2 – CARNIVAL

ROOFLESS

PROJECT GP 2



GO PLAY :) SYSTEM 2 – CARNIVAL

ROOFLESS

PROJECT GP 2



GO PLAY :) SYSTEM 2 – EARTHTONE

ROOFLESS

PROJECT GP 2



GO PLAY :) SYSTEM 2 – EARTHTONE

ROOFLESS

PROJECT GP 2



GO PLAY :) SYSTEM 2 – MARINA

ROOFLESS

PROJECT GP 2



GO PLAY :) SYSTEM 2 – MARINA

ROOFLESS

PROJECT GP 2



GO PLAY :) SYSTEM 2 – SIENNA

ROOFLESS

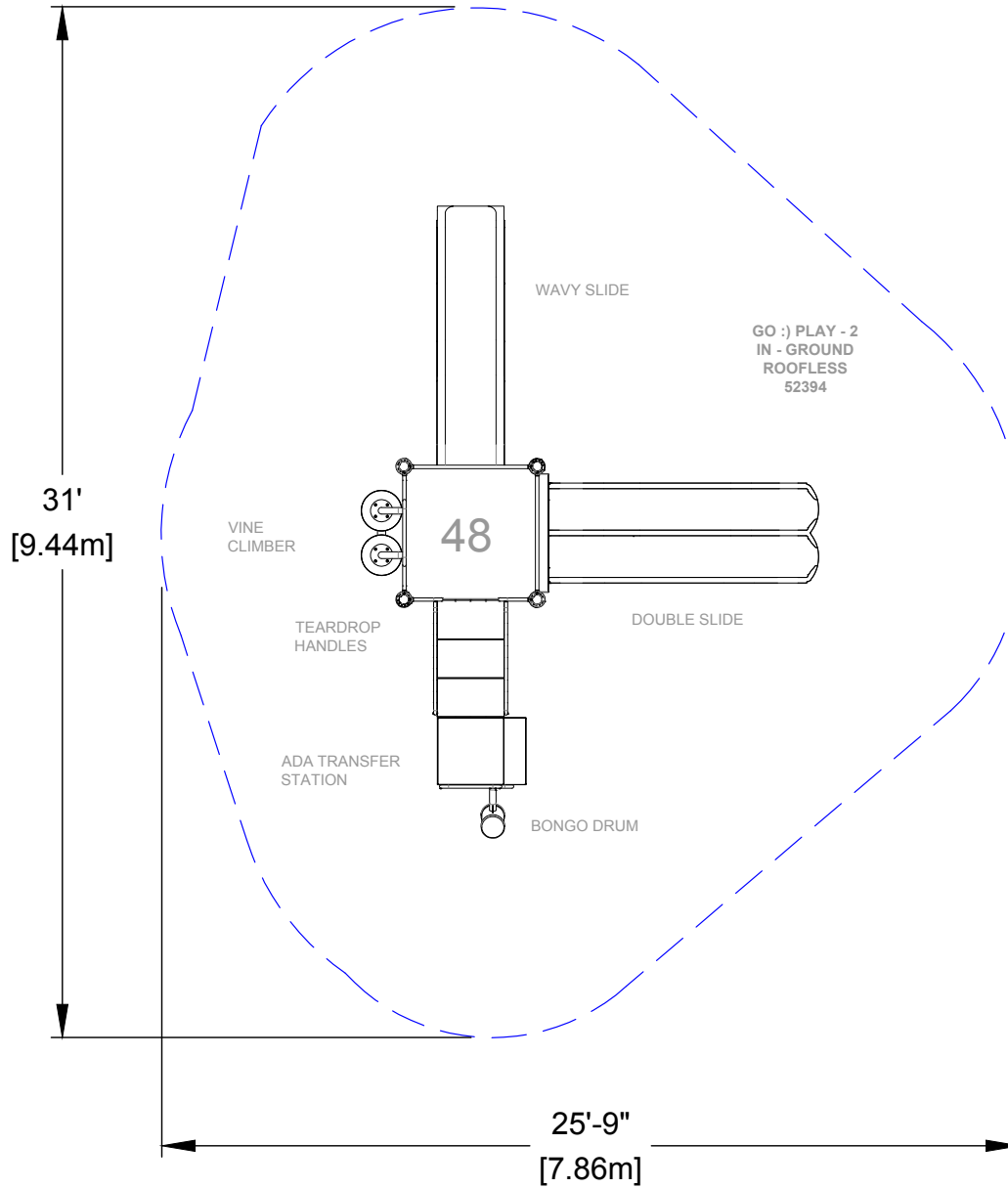
PROJECT GP 2



GO PLAY :) SYSTEM 2 – SIENNA

ROOFLESS

PROJECT GP 2



GO PLAY :) SYSTEM 2 ROOFLESS



XCCENTPLAY.COM

DATE 03/20/2015
PROJECT GP 2
REVISION -
DESIGNER Xccent



MIN. "FALL ZONE"
25'-9" x 31'

MAX. FALL HEIGHT
48"

AGES 5-12

	total	req'd
ELEVATED COMPONENTS	3	-
ACCESSIBLE ELEVATED COMPONENTS	3	2
GROUND LEVEL EVENTS	2	1
DIFFERENT TYPES of GROUND EVENTS	2	1
APPROX. SQ FT	550	
APPROX. PERIM	90'	