

Description

The Gamewell-FCI, INCC Intelligent Network Command Center serves as the point of interface between an operator and the system's audio evacuation, fire fighter intercom, and building control circuits. It is a component of the following systems.

- E3 Series[®] Expandable Emergency Evacuation
- E3 Series Combined Fire and Mass Notification System
- E3 Series Broadband Audio Evacuation System
- NetSOLO[®] System

The INCC occupies a single node along the E3 Broadband network and is connected by a single pair of twisted, unshielded wire, fiber-optic cable or any combination of the two. Each E3 Broadband node can be spaced along the network at a maximum distance of 3,000 feet (914.4 m) or up to an 8dB loss using fiber-optic cable. Built-in isolation at each node permits Style 4, Style 6, and Style 7 network configurations.

The E3 Series Broadband Audio Evacuation System is a peer-to-peer, self-regenerating, token ring network comprised of up to 64 individual nodes. In addition, the Addressable Node Expander (ANX) board expands the network to 122 nodes. The E3 Broadband employs proven technology and extends it to accomplish emergency voice evacuation, 2-way fire fighter communications, and building control applications. It is unique in the industry because it requires only a single pair of wires or a fiber-optic cable connection between nodes to convey all fire alarm, digital voice, fire fighter communications, paging, and building control signals.

The typical INCC and E3 LOC, INCC-CAB-B sub-assemblies consist of the following:

- an Intelligent Network Interface-Voice Gateway (INI-VGC) Module
- one or more Addressable Switch Modules (ASM-16)
- one Network Graphic Touchscreen Annunciator (NGA)

The INCC Command Center's INI-VGC module also provides connections for an optional emergency Voice Page Microphone as well as a Fire Fighter Telephone Handset.

The INI-VGC is a fully digital voice/tone generator using state-of-the-art Digital Signal Processing (DSP) technology to produce the clearest, most audible signal possible. The INI-VGC provides an output to a local speaker for message verification and testing. It is ideal for a wide range of complex System Applications including high-rise or campus installations.

Intelligent Network Command Center



INCC

Features

- Listed under UL[®] Standard 864, 9th Edition.
- Listed under UL Standard UL2572 for Mass Notification.
- All communication signals and control-by-event sequences over twisted, unshielded pair of wires or fiber-optic cable including:
 - Audio Evacuation
 - Fan Control & Damper Shutdown
 - Voice Paging
 - Door Closures
 - Fire Fighter Intercom
 - Fire Alarm and Control Devices
 - Elevator Control
 - Horn/Strobe Circuit Activation
- Distributed architecture, including Style 7 wiring configurations, allow system components to continue normal operation with NO loss of function during single line fault conditions.
- Integrates with INX transponders and additional INCC command centers to create a complete audio evacuation system with up to 122 nodes.
- Each INI-VGC supports up to 16 ASM-16 switch modules for a total of 256 switches.
- INI-VGC connects to a Voice Page Microphone and Fire Fighter's Handset.
- Redundant Command Centers with Microphone and Fire Fighter's Handset can be easily configured by adding additional INCCs.
- Advance Boolean logic-based programming such as AND, OR, NOT, NOR, time delay, and calendar functions configurable through computer programming.
- Advanced digital signal processor (DSP) technology for efficient audio compression and filtering. Uses network data transfer rate at 625K baud.

SIGNALING



LISTED
S1869



APPROVED
3025415

ME A
Approved
FDNY

COA # 6077 7165-1703:0125



City of
Chicago
Approved
Class 1
Class 2
High Rise

City of
Denver
Approved

Description (Continued)

Each Addressable Switch Module (ASM-16) has 16 push-button switches that can be programmed to serve any function the application demands. An ASM-16 switch can be programmed as any of the following:

- Speaker Circuit switch
- Fire Fighter Phone switch
- Auxiliary Control switch using a bank of 3 switches (1 switch can be used for each On-Off-Auto function)
- Switches with the following custom-defined functions"
 - System Reset
 - System Silence
 - System Acknowledge
 - Alarm Tone On
 - All-Call
 - Phone Patch
 - Lamp Test
 - Manual Select

Each ASM-16 switch also has 3 fully programmable status-indicating LEDs in red, yellow, and green. The NGA LCD Graphic Annunciator is a powerful, yet attractive component of the Gamewell-FCI Emergency Voice Evacuation System. The bright, back-lit 1/4" VGA display is supplemented with an intuitive, easy-to-use touch-screen interface that provides the following features:

- Up to 512 user-defined messages may be configured.
- Messages may be up to 77 characters in length.
- Display font and color may be selected for each message.

The INCC assembly is enclosed in one or more compact 19" wall-mounted enclosures. Its modular construction provides complete flexibility in system design. Each cabinet can contain the INI-VGC and up to six ASM-16 modules. If more ASM-16 modules are required, they may be mounted in additional INCC cabinets. As many as six ASM-16 modules can fit in the INCC cabinet. If a Microphone module is required, it would take the place of 1 ASM-16 position. A Fire Fighter Handset would take the place of 2 ASM-16 positions. An INI-VGC can support as many as 16 ASM-16s for a total of 256 completely programmable switches.

The INCC operates on 24 VDC that can be sourced from the non-resettable auxiliary output of its associated power supply such as the PM-9 or PM-9G.

A complete E3 Series Audio Evacuation System can be assembled from the following 3 different panels. This modular approach greatly simplifies the design and installation process and can be configured to meet the exact needs of the project.

- One or more E3 Series fire alarm control panels.
- One or more INCC Audio Evacuation Command Centers.
- One or more INX Transponders.
- One ACU (Autonomous Control Unit).
- One LOC (remote Local Operating Console).

E3 Series[®] and NetSOLO[®] are registered trademarks of Honeywell International Inc.
UL[®] is a registered trademark of Underwriters Laboratories Inc.

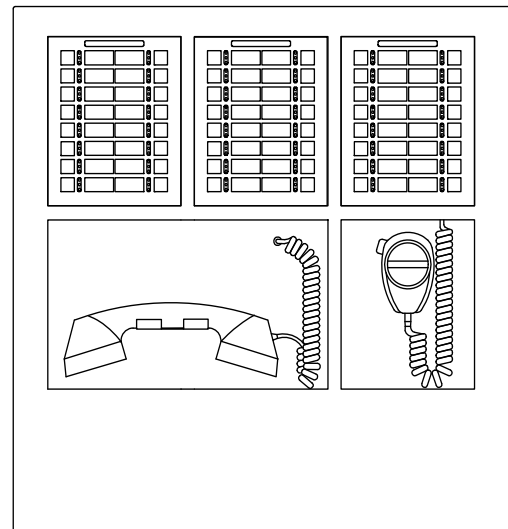


Figure 1 INCC with MIC and Handset

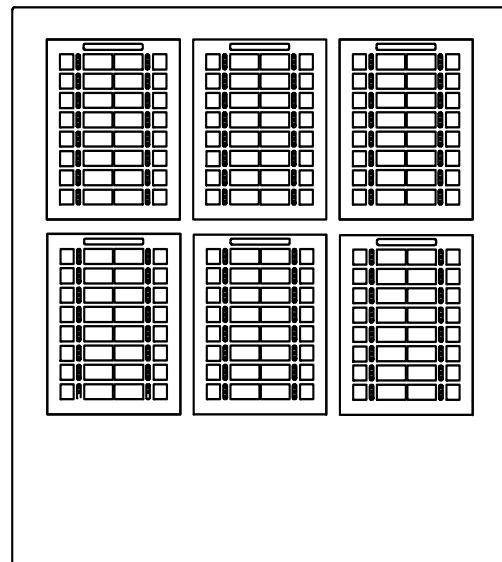


Figure 2 INCC with 6 ASM-16s

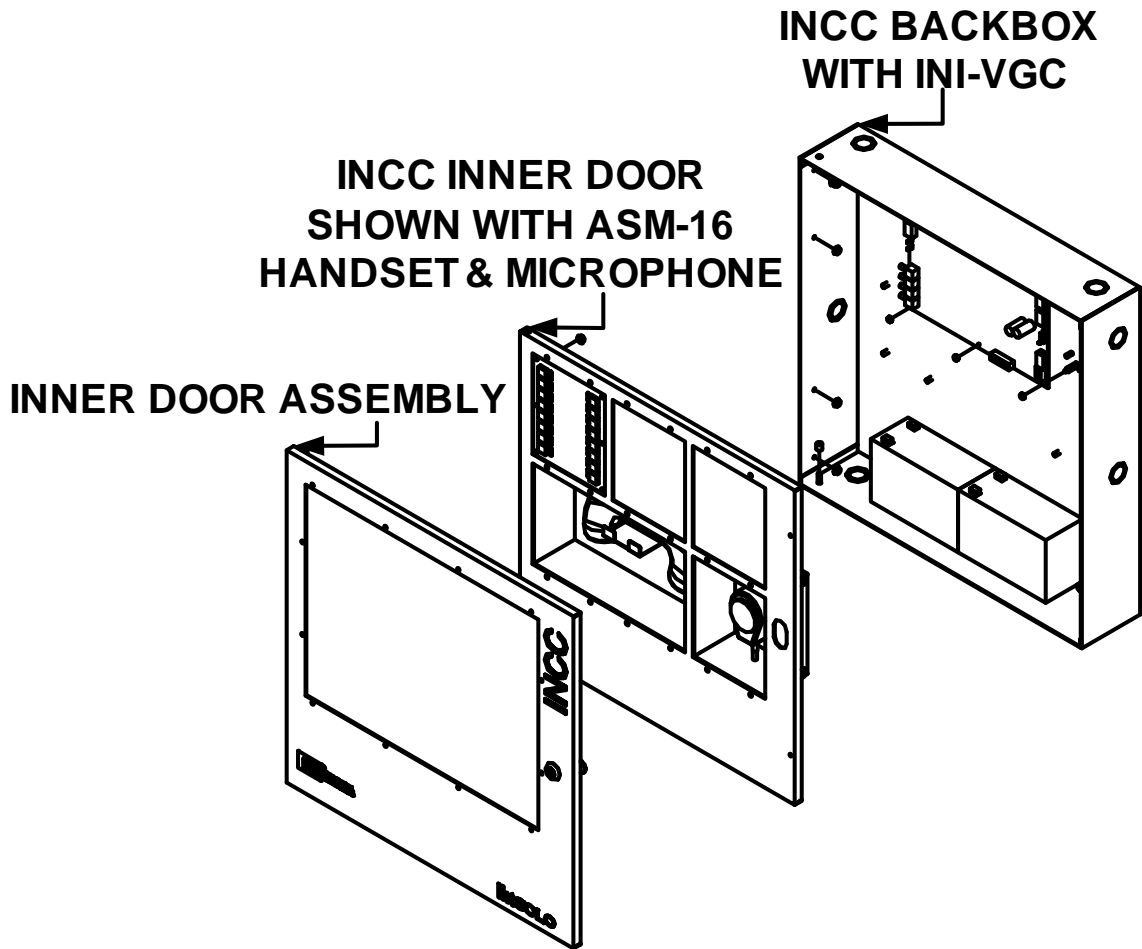


Figure 3 INCC and E3 LOC, INCC-CAB-B Assemblies

Specifications

INI-VGC

Operating Voltage: 24 VDC (nominal)

Operating

Current: 0.150 amp. supervisory and alarm

Operating

Temperature: 32° to 120° F (0° to 49° C)

Relative Humidity: 0 to 93% (non-condensing)

Protocol Asynchronous with half-duplex data flow

Speed RS-232 up to 64 KBps

RS-485 up to 128 KBps

St connectors Up to 200 microns (multi-mode), optimized for 62.5/125 microns.

ASM-16

Operating Voltage: 24 VDC (nominal)

Operating

Current: 0.005 amp supervisory
0.005 amp alarm plus 0.003 amp per LED activated (0.195 amp max.)

Operating

Temperature: 32° to 120° F (0° to 49° C)

Relative Humidity: 0 to 93% (non-condensing)

Ordering Information

Part Number

Description

Intelligent Network Command Center

INI-VGC

Command center voice gateway.

ASM-16

Programmable switch module (occupies 1 single slot on the inner door).

INCC-MIC

Paging Microphone module.

INCC-TEL

Fire Fighter Telephone module.

INCC-IDT

Inner door with 1 double slot (used for the INCC-TEL Fire Fighter Handset) and 4 single slots.

INCC-ID

Inner door with 6 single slots.

INCC-CAB

INCC backbox (black) with black outer door.

Dimensions:

19" W x 19" H x 4" D

(48 W x 48 H x 10 D cm)

INCC-CABR

INCC backbox (black) with red outer door

Dimensions:

19" W x 19" H x 4" D

(48 W x 48 H x 10 D cm)

GAMEWELL-FCI

12 Clintonville Road, Northford, CT 06472-1610 USA • Tel: (203) 484-7161 • Fax: (203) 484-7118

9020-0542 Rev. J page 4 of 4

www.gamewell-fci.com