

A KNIGHT to Illuminate the Darkness

- 1/2" progressive scan CMOS
- Full HD1080p video, up to 60fps
- Ultra Low-light
- 120dB WDR
- 3D DNR
- ROI codec
- Audio/Alarm IO
- (-A) Auto back focus optional



DS-2CD6026FHWD (-A) 2MP Ultra Low-light WDR Network Camera

Matching the industrial leading ultra low-light MP lens, Hikvision DarkFighter Network Camera, can deliver perfect colored image quality in demanding video surveillance conditions, such as very poor light or highly contrast lighting.

Hikvision Ultra Low-light MP Lens



HV1140D-8MPIR

- Focal range 11-40mm
- Aperture F1.5-C
- IR correction
- Up to 8MP resolution
- Format 9.2mm (1/1.8")

HV3816D-8MPIR

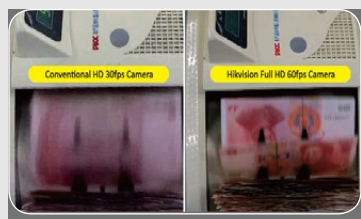
- Focal range 3.8-16mm
- Aperture F1.5-∞
- IR correction
- Up to 8MP resolution
- Format 9.2mm (1/1.8")



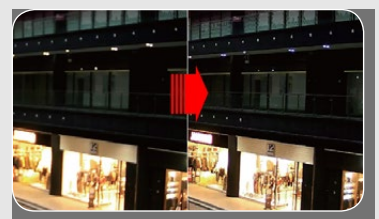
Ultra Low-light



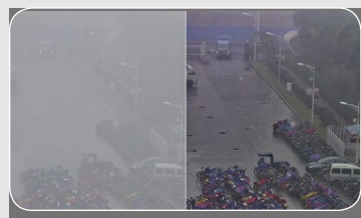
120dB WDR



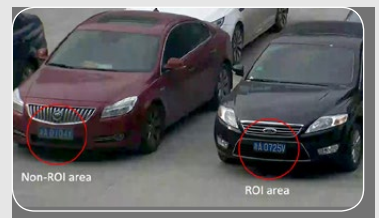
Full HD 60fps



ABF (Auto Back Focus)



Defog



ROI(Region of Interest Encoding)

DS-2CD6026FHWD-(A)

2 MP Ultra Low-light Box Network Camera

* Product picture and technical specs subject to change without previous notice.
For further information, please contact our local sales representatives.

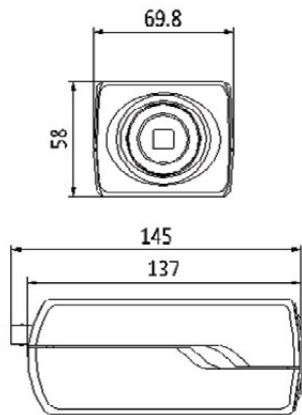
DARKFIGHTER



Order Models

DS-2CD6026FHWD
DS-2CD6026FHWD-A

Dimensions

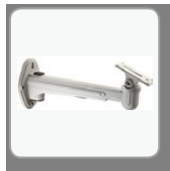


Mount Option



DS-1292ZJ

Short arm wall mount



DS-1293ZJ

Long arm wall mount



DS-1320HZ

Indoor Housing



DS-1321HZ

Outdoor Housing



DS-1322HZ-HW

Outdoor Housing



DS-1322HZ-H

Outdoor Housing



HV1140D-8MPIR

8MP IR Auto-iris &
Vari-focal lens



HV3816D-8MPIR

8MP IR Auto-iris &
Vari-focal lens

DS-2CD6026FHWD-(A)	
Camera	
Image sensor	1/1.8" Progressive Scan CMOS
Min. illumination	Color: 0.001 Lux @ (F1.2, AGC ON); B/W: 0.0001 Lux @ (F1.2, AGC ON)
Shutter time	1/1 s to 1/100,000 s
Slow Shutter	Support
Lens mount	C/CS mount
Auto-iris	DC drive
Day & night	IR cut filter with auto switch
Digital noise reduction	3D DNR
Wide dynamic range	120dB
Focus	ABF(-A model)
Compression standard	
Video compression	H.264/MPEG4/MJPEG
H.264 Type	Baseline Profile / Main Profile / High Profile
Video Bit Rate	32 Kbps – 16 Mbps
Audio Compression	G.711/G.722.1/G.726/MP2L2
Audio Bit Rate	64Kbps(G.711) /16Kbps(G.722.1)/ 16Kbps(G.726)/ 32-128Kbps(MP2L2)
Image	
Max. Resolution	1920 × 1080
Frame rate	WDR OFF: 50Hz: 50fps (1920 × 1080), 50fps (1280 × 960), 50fps (1280 × 720) 60Hz: 60fps (1920 × 1080), 60fps (1280 × 960), 60fps (1280 × 720) WDR ON: 50Hz: 25fps (1920 × 1080), 25fps (1280 × 960), 25fps (1280 × 720) 60Hz: 30fps (1920 × 1080), 30fps (1280 × 960), 30fps (1280 × 720)
Third Stream	Independent with Main Stream and Sub Stream, up to 50Hz: 25fps (1920 × 1080); 60Hz: 30fps (1920 × 1080)
BLC	Support, zone optional
Defog	Support
EIS	Support
Image Setting	Saturation, Brightness, Contrast adjustable by client software or web browser
Day/Night Switch	Auto/Schedule/Triggered by Alarm In
ROI	Support
Picture Overlay	LOGO picture can be overlaid on video with 128x128 24bit bmp format
Network storage	
Network storage	NAS (Support NFS,SMB/CIFS)
Protocols	TCP/IP, ICMP, HTTP, HTTPS, FTP, DHCP, DNS, DDNS, RTP, RTSP, RTCP, PPPoE, NTP, UPnP, SMTP, SNMP, IGMP, 802.1X, QoS, IPv6, Bonjour
Security	User Authentication, Watermark, IP address filtering, Anonymous access
Standard	ONVIF, PSIA, CGI, ISAPI
Audio Input	
Audio Input	1-ch 3.5 mm audio interface, Mic in/Line in. 1 built-in Microphone
Audio Output	
Audio Output	1-ch 3.5 mm audio interface
Communication Interface	1 RJ45 10M/100M Ethernet port, 1 RS-485 interface and 1 RS-232 interface
Alarm Input / Output	1 / 1
Video Output	1Vp-p composite output (75 Ω/BNC)
On-board storage	Built-in Micro SD/SDXC slot, up to 64 GB
Reset Button	Yes
Operating conditions	
Operating conditions	-30 °C – 60 °C (-22 °F – 140 °F), Humidity 95% or less (non-condensing)
Power supply	24 V AC ± 10%, 12 V DC ± 10%, PoE (802.3af)
Power consumption	Max. 6 W (Max. 9W with IR cut filter on)
Dimensions	69.8x58x145 mm (2.68" × 2.56" × 5.70")
Weight	830 g (1.83 lbs)