



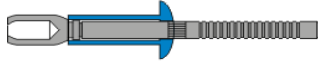





Aluminum Steel
Large Flange Counter Sunk
DOMED HEAD
 <enter type>

 Rivet Diameter: 1/8" 3/16" 1/4"
 1/4" Grip Range: < enter quantity
 3/8" Grip Range: < quantity
 1/2" Grip Range: <
 other specify GR _____ # pcs _____
 to order multiple items see rivets ez order form or use more forms



Aluminum Steel
Large Flange Counter Sunk
DOMED HEAD
 <enter type>

 Rivet Diameter: 1/8" 3/16" 1/4"
 1/4" Grip Range: < enter quantity
 3/8" Grip Range: < quantity
 1/2" Grip Range: <
 other specify GR _____ # pcs _____
 to order multiple items see rivets ez order form or use more forms

KEP NUTS

 1/4" 20
 5/16" 18
 3/8" 16
 7/16" 14
 1/2" 13
Serrated Flange Nut

 1/4" 20
 5/16" 18
 3/8" 16
 7/16" 14
 1/2" 13

STRUCTURAL RIVETS

 ALL STEEL 1/4" .080 3/8" GR _____ quantity
 3/8" 5/8" GR _____
OLYMPIC RIVET

 ALL STEEL 1/4" .080 3/8" GR _____

INSERTS
 type _____
Large Flange _____

Thinsert _____

Nutsert _____
 1/4" 20 5/16" 18 3/8" 16

 \ / enter quantity

EYE BOLT

 1/4 2" _____
Flange Bolts

 Black Oxide
 enter sizes needed:
 w/nut?

DRILL BITS SEE ABRASIVES EZ Order FORM
BUCK RIVETS
 aluminum
 HARD _____ SOFT _____
 DIA. 1/2" 5/8" 3/4" length
 3/16" _____ < quantity
 1/4" _____ lbs
 approx 400 per lb


HELI COIL

INSERT#	#pcs	TAPS	ea
10 24	18544	10	18596
1/4 20	18545	10	18597
5/16 18	18546	10	18598
3/8 16	18547	10	18599
7/16 14	18548	10	18600
1/2 13	18549	10	18601
5/8 11	18550	10	18602
3/4 10	18551	5	
10 32	18552	10	18604
1/4 28	18553	10	18605
5/16 24	18554	10	
3/8 24	18555	10	18607
7/16 20	18556	10	18608
1/2 20	18557	10	18609

INSERT#	#pcs	TAPS	ea
M6 1.0	18558	10	18610
M8 1.25	18559	10	18611
M10 1.5	18561	10	18613
M12 1.75	18565	10	18617
M10 1.25	18563	10	
M11 1.25	18564	10	
M12 1.5	18566	5	18618
M12 1.25	18567	5	18619
M14 1.25	18568	2	
M14 1.25 1/2"	18569	2	18595
M14 1.25 3/4"	18570	2	



FAX BACK TO:
714 965 1537
 IMF SUPPLY
 support
 714 604 3908

Black Oxide Floor Board Screws
 Drive
T-30 2-1/2" 3" specify length
 1/4" 20 _____
T-40 2-1/2" 3" 4" specify length
 5/16" 18 _____
TORQ BITS Drive socket
T30 _____ 1/4" _____
T40 _____ 5/16" _____


FROM: _____
 TEL# _____
 CONTACT: _____

circle the number you want to order
 circle package quantity or cross out enter # pkgs taps sold each