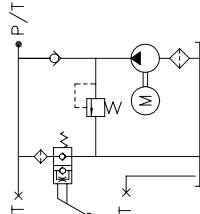


THE INFORMATION CONTAINED IN THIS DRAWING IS THE SOLE PROPERTY OF SPX FLUID POWER. ANY REPRODUCTION IN PART OR AS A WHOLE WITHOUT THE WRITTEN PERMISSION OF SPX FLUID POWER IS PROHIBITED.

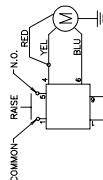
**** NAMEPLATE INFORMATION ****

CHALLENGER	CHALLENGER
MODEL NUMBER	MODEL NUMBER
DATE	DATE
REV.	REV.
230 VAC 1B	2750
SPX FLUID POWER	ROCKFORD, IL

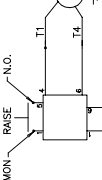
**** HYDRAULIC CIRCUIT ****



**** ELECTRIC CIRCUIT OPTION 1 ****



**** ELECTRIC CIRCUIT OPTION 2 ****



**** UNIT SPECIFICATION ****

MOTOR	200-230VAC, 17.2-17.7 AMPS, 2400RPM, 1775 INCHES, 1.5 INCHES, 1.5 INCHES
PUMP	1.53 GPM/REV. (1.53 GPM/REV.)
RELIEF	RV-19 FICED AT 2750 P.S.I. NOMINAL
ENDHEAD	(3) 9/16 S.A.E. PRESSURE-RETURN PORTS (3) 3/8 N.P.T.F. AUXILIARY RETURN PORT
TANK	6.1 GAL (1200 CUIN, USABLE) VERT. MOUNT WITH 3/8 N.P.T.F. BREATHER-FILL PORT
WARNING	2PW N.C. MANUAL RELEASE VALVE
WIRING	230 VOLTS A.C. TO MOTOR & MAINSWITCH ON SWITCH
ASSEMBLY FINISHING	WIRE UNIT CLEAN OF OIL APPLY UNIFORM LUBRICANT APPLY UNIFORM LUBRICANT
PACKING SHIPPING	UNIT INDIVIDUALLY PACKED ONE PER CARTON CARTONS ON PALLET

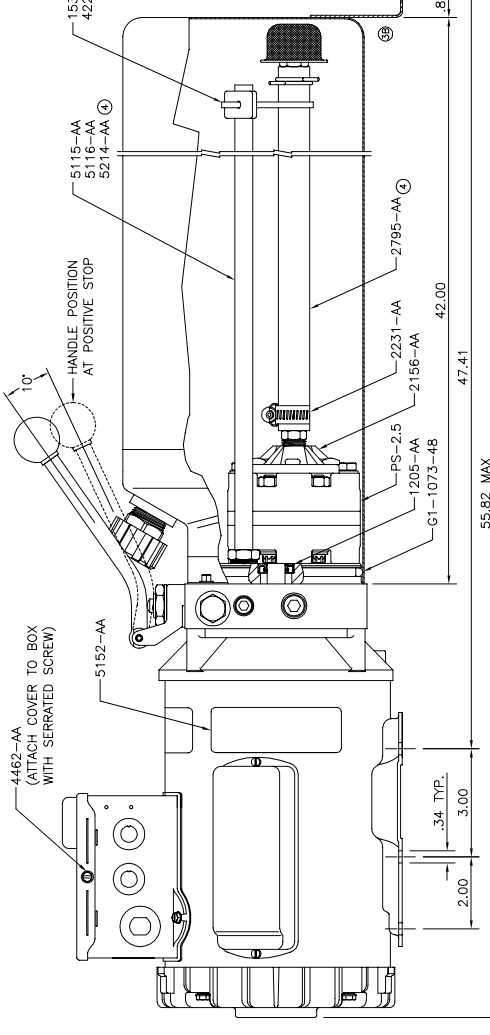
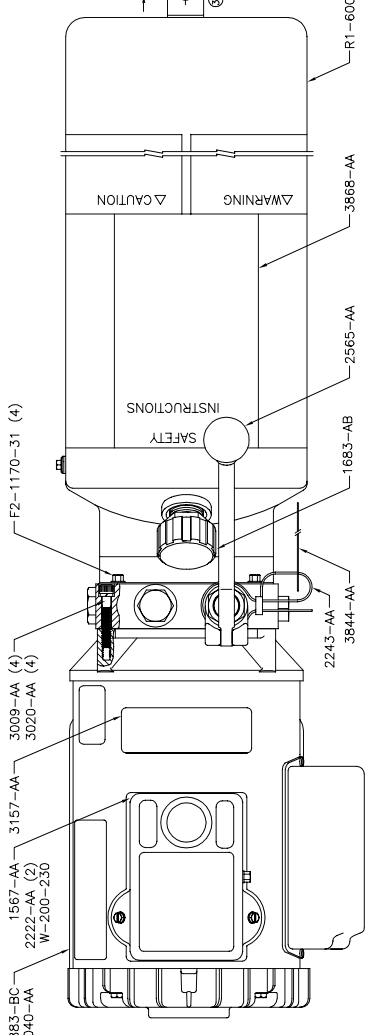
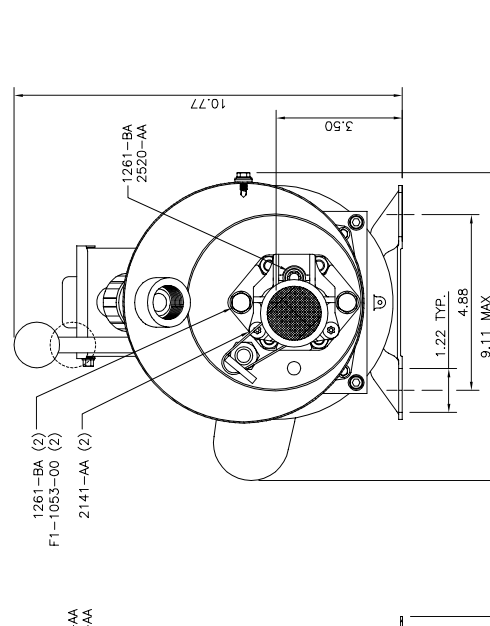
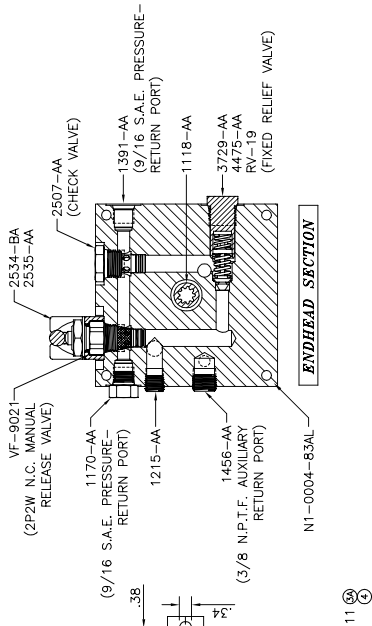
**** UNIT PERFORMANCE ****

2.1 GPM AT 2400 P.S.I.	2.16 GPM
230 VOLTS AC & 18 AMPS	2.16 GPM
1.53 GPM AT NO FLOW	2.16 GPM

MANUFACTURING STANDARDS

1.0 DIMENSIONS	2.16 GPM
2.0 DIMENSIONS	2.16 GPM
3.0 DIMENSIONS	2.16 GPM

WARNING: THIS UNIT DOES NOT CONTAIN SERVICES OF PRESSURE IN TURBULENT FLOWERS.



SPX FLUID POWER
5985 11th Street
Rockford, IL 61108 USA

REPORT ERRORS TO ENGINEERING
DRAWN BY: MKJ
CHECKED BY: JLH
DATE: 07-DEC-98
DATE: 14-JAN-99

ADD: 1000169 BOX LABEL
3C UPDATED VIEW OF RESERVOIR
3B ADDED MITG. BRACKET VIEW
3A ADDED STD. 2.16.59
REDRAWN FOR CLARITY
2C UPD. TO CURRENT AUTOHOIST STD.
2B UPD. TO CURRENT ENG. FORMAT
2A UNOBSOLETE UNIT
B (-) N1-0004-64; (+) N1-0004-73
A NEW DRAWING
CHANGE

DATE	ECO	CHK'D	LEVEL	DATE	ECO	CHK'D	LEVEL
03-SEP-05	050718G	TWA	HLM	08-NOV-04	04103C	BAP	MDP
19-MAR-03	030226F	MKJ	PEA	04-AUG-99	980730D	RFP	JLH
W-200 TO W-200-230				981203H		MKJ	JLH
CHANGED TANK AND ASSO. COMP.				07-DEC-98		MKJ	JLH

SPX USES A NUMBER OF QUALIFIED SUPPLIERS, SO WIRING DIAGRAMS MAY VARY. CONSULT MOTOR NAMEPLATE.

REPORT ERRORS TO ENGINEERING
DRAWN BY: MKJ
CHECKED BY: JLH
DATE: 07-DEC-98
DATE: 14-JAN-99

ADD: 1000169 BOX LABEL
3C UPDATED VIEW OF RESERVOIR
3B ADDED MITG. BRACKET VIEW
3A ADDED STD. 2.16.59
REDRAWN FOR CLARITY
2C UPD. TO CURRENT AUTOHOIST STD.
2B UPD. TO CURRENT ENG. FORMAT
2A UNOBSOLETE UNIT
B (-) N1-0004-64; (+) N1-0004-73
A NEW DRAWING
CHANGE

SPX FLUID POWER
5985 11th Street
Rockford, IL 61108 USA

AC UNIT
(CHALLENGER #12087)

PART NO. AB-1346
DIM. NO. AB-1346

REV. 7
SIZE D