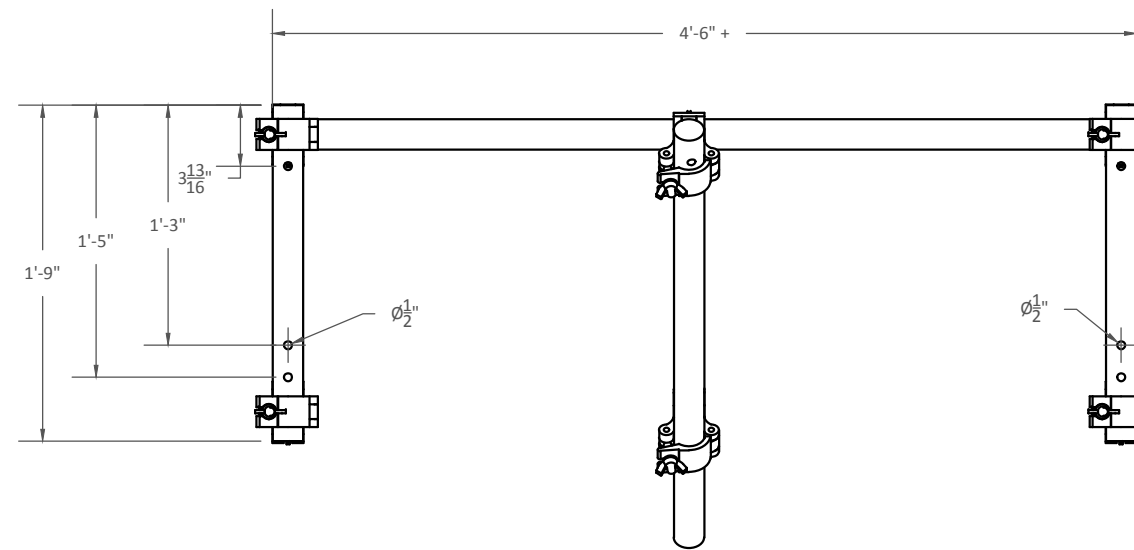
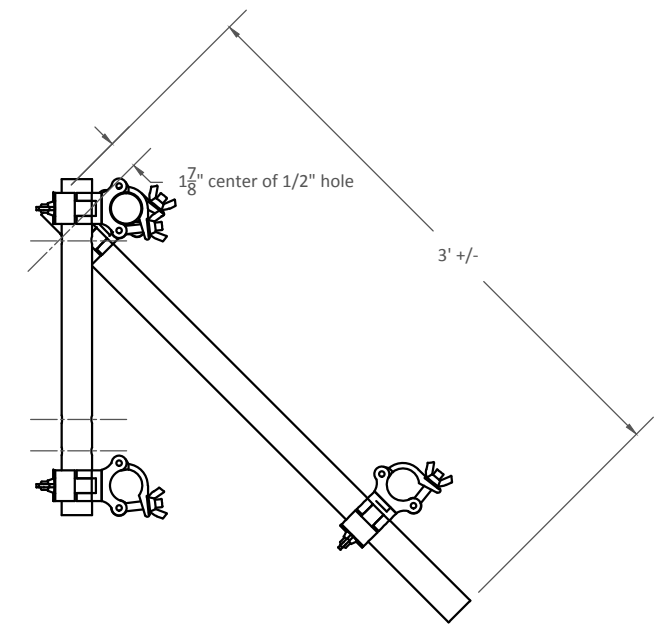


Swivel "Mega Clamp" Cheeseborough

1
M57
Grid Stanchion ISO



Front View



Side View

2
M57
Grid Stanchion - Scale: 1"= 1'-0"
Prep pieces for 2 from 1 1/2" Sch 40 Pipe.
Drill Holes, pull clamps.



MARISOL

Plate Name: Grid Stanchions

Director: David Crowe

Designer: Leslie Taylor

Tech Director: Aaron Mayer

Drafted By: A.Mayer

DWG Date: 3/4/2015

REV Date:

Scale: As Noted

DWG #:

M57