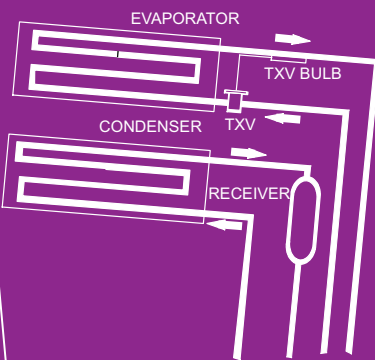
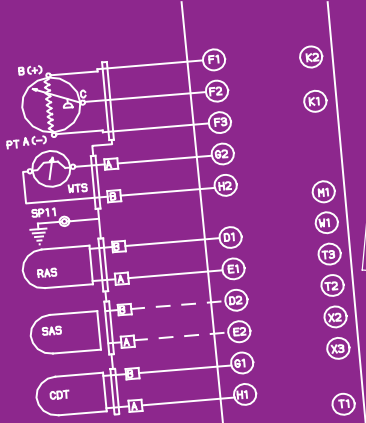




# Truck Refrigeration



# Generic Service Parts List for Supra 960

## Truck Refrigeration Units



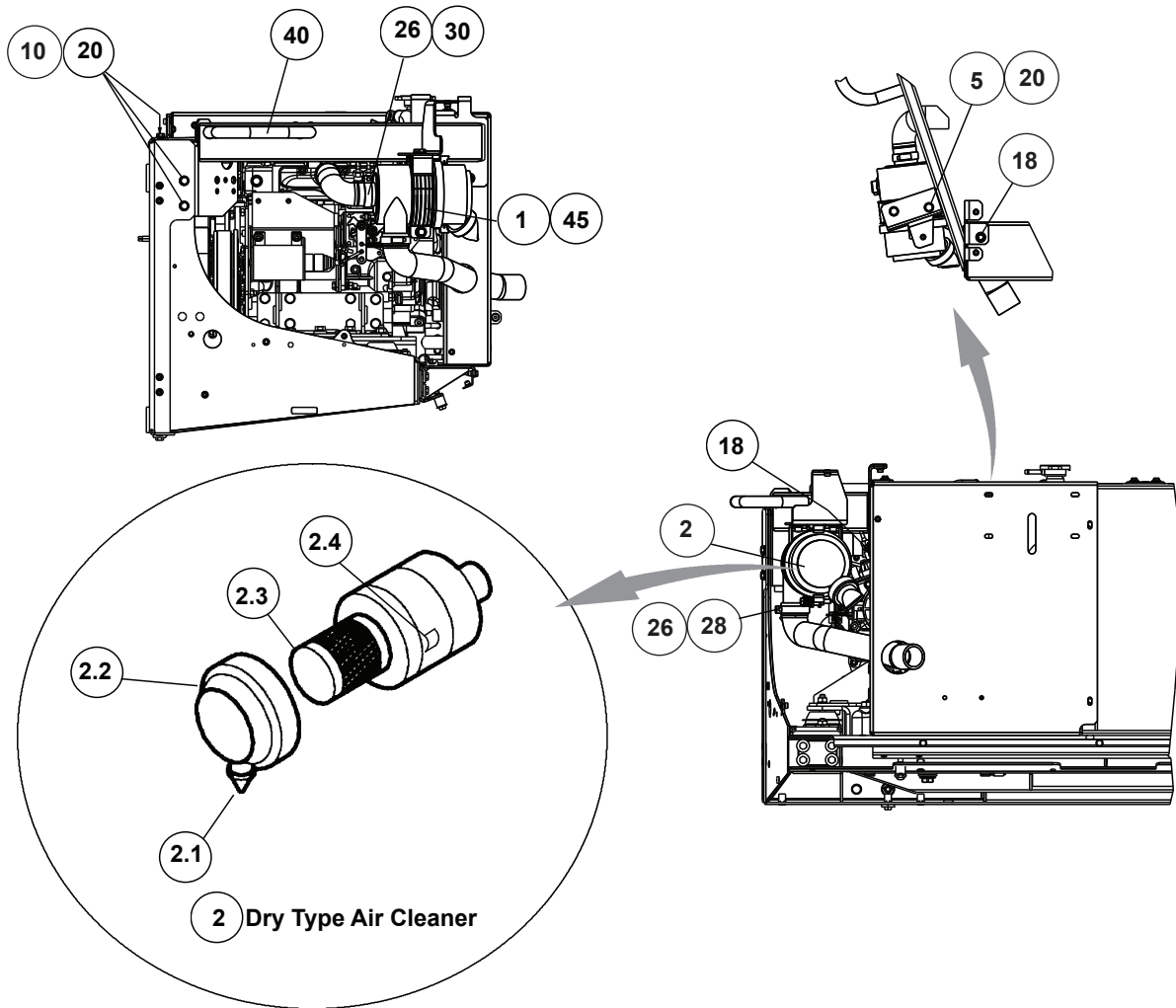
# Generic Service Parts List Supra 960 Table of Contents

Air Cleaner Kit.....	1
Alternator Assembly, 70 Amp .....	2
Bottom Panel Kit.....	4
Condenser Kit.....	5
Coolant Kit .....	7
Decals .....	8
Drive Kit .....	10
Electrical Kit .....	17
Evaporator Kit .....	38
Exhaust Kit.....	42
Frame Kit .....	43
Fuel System Kit.....	45
Mounting Kit.....	47
Oil System Kit .....	54
Plug, Standby .....	55
Refrigerant Kit.....	56
Skins Kit / Door Assembly .....	59

**NOTE:** This parts list was published in March 2017 and is to be used for reference only. Parts and other information contained in this list may have changed since this list was published. As such, Carrier Transicold cannot be liable for parts ordered in error based on outdated information. For the most current parts available, refer to PLUS (the Truck/Trailer parts lookup system) or contact the Performance Parts Group (PPG) Customer Response Center Monday through Friday, 8 a.m. to 6 p.m. at 1-800-255-7382 or email: [ppg.customer.service@carrier.utc.com](mailto:ppg.customer.service@carrier.utc.com).

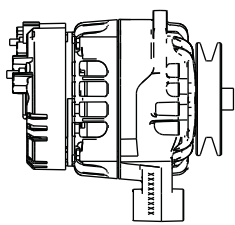
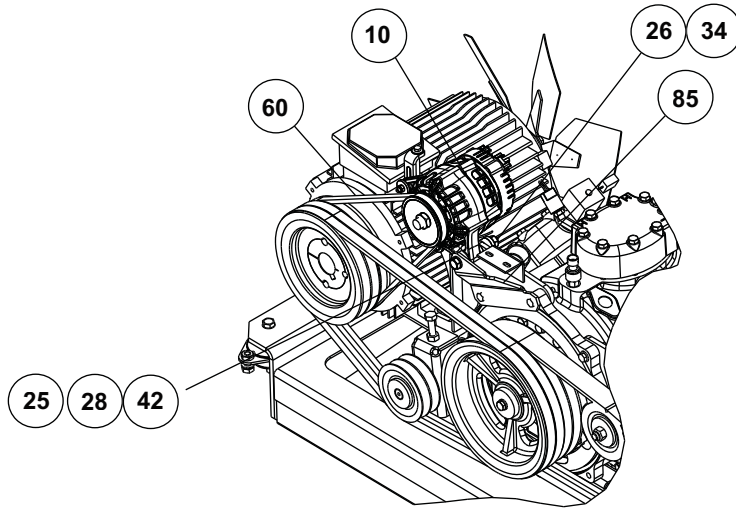
*Carrier Transicold reserves the right to discontinue or change, at any time, specifications or designs without notice and without incurring obligations. Care was taken to make the information contained herein as accurate as possible. We do not guarantee, however, that the catalog is free from errors. As such, prior to ordering, please provide your Carrier Transicold dealer with your unit's serial number to verify its specific parts requirements.*

## Air Cleaner Kit



Item Number	Part Number	Part Description	Quantity
1	30-60046-01	Clamp Assembly, Air Cleaner	1
2	30-60049-00	Air Cleaner, Dry Type	1
2.1	30-60049-22	Kazoo, Air Cleaner	1
2.2	30-60049-21	Housing and Cover, Air Cleaner	1
2.3	30-60049-20P12	Element, Air Filter	1
2.4	30-00430-21	Spring Clip, Air Filter	1
5	34-00876-20	Screw, Cap, Hex Head, M8 x 20mm, 0.79	2
10	34-00876-30	Screw, Cap, Hex Head, M8 x 30mm	3
18	34-01266-20	Screw, Hex Head, Sems, M6 x 20mm, Slotted	3
20	34-60002-08	Washer, M8 Belleville	5
26	44-00045-04	Clamp, Hose, 1.81-2.50, Worm Type	3
28	58-01392-00	Hose, Air, 1.57 ID x 0.19, Wall	1
30	58-60093-04	Hose, 1.75 ID	1
40	86-61228-02	Bracket, Filter, 950 NAO, Ph3	1
45	34-06051-107	Rivnut, M8	2

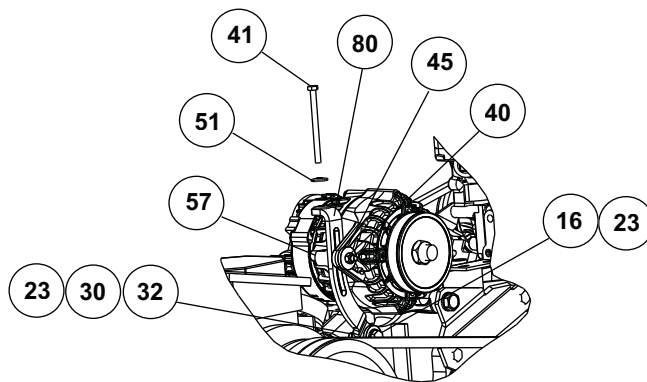
# Alternator Assembly



- 10.1 - Service Kit A, Hardware (Not Shown)
- 10.2 - Service Kit B, D plus Harness (Not Shown)
- 10.3 - Brush Holder Assembly, Regulator (Not Shown)
- 10.4 - M16 CW Nut Kit, 16 Washer (Not Shown)
- 10.5 - Rear Plastic Cover without Connector (Not Shown)

10.6 Pulley

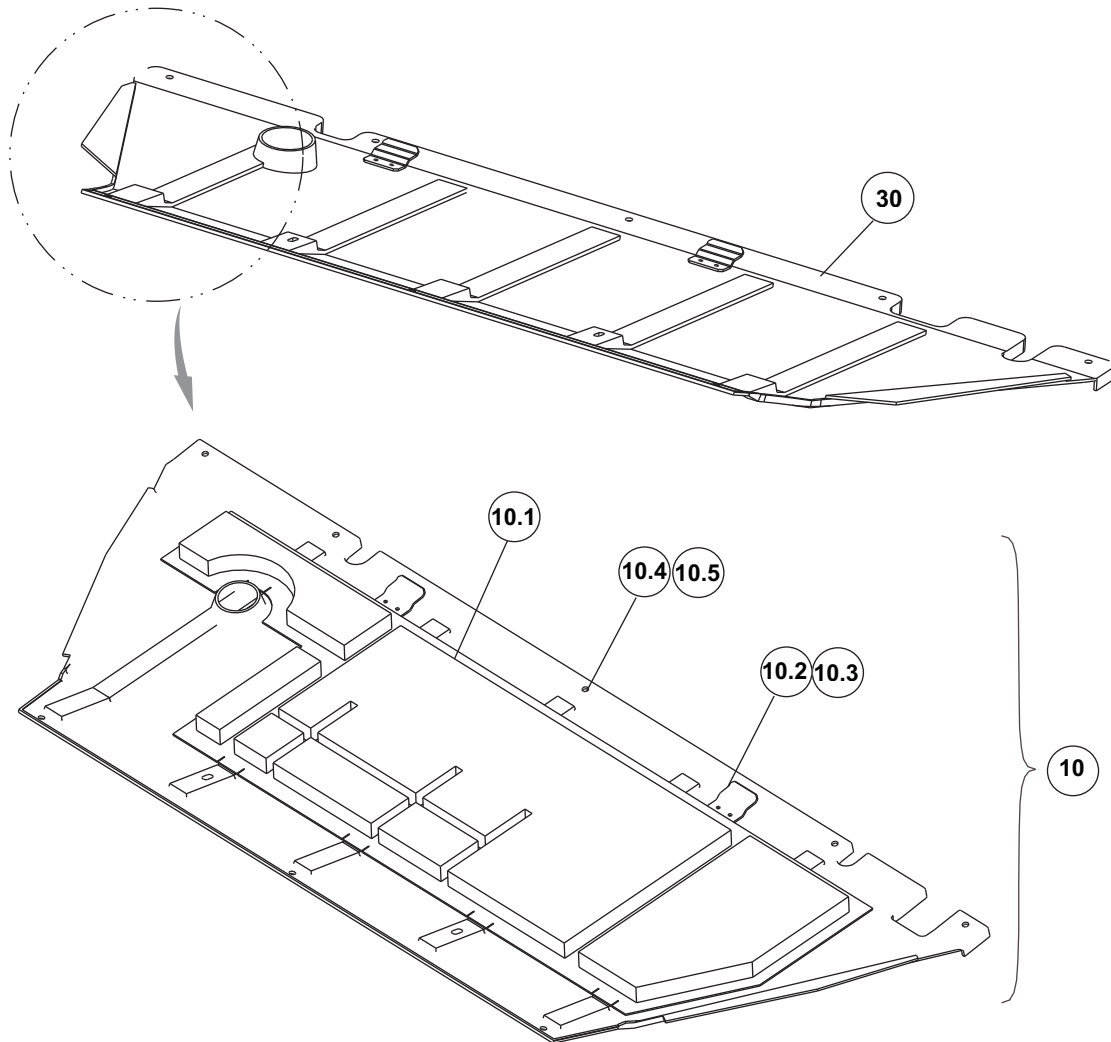
10 Alternator Assembly, 1-Groove





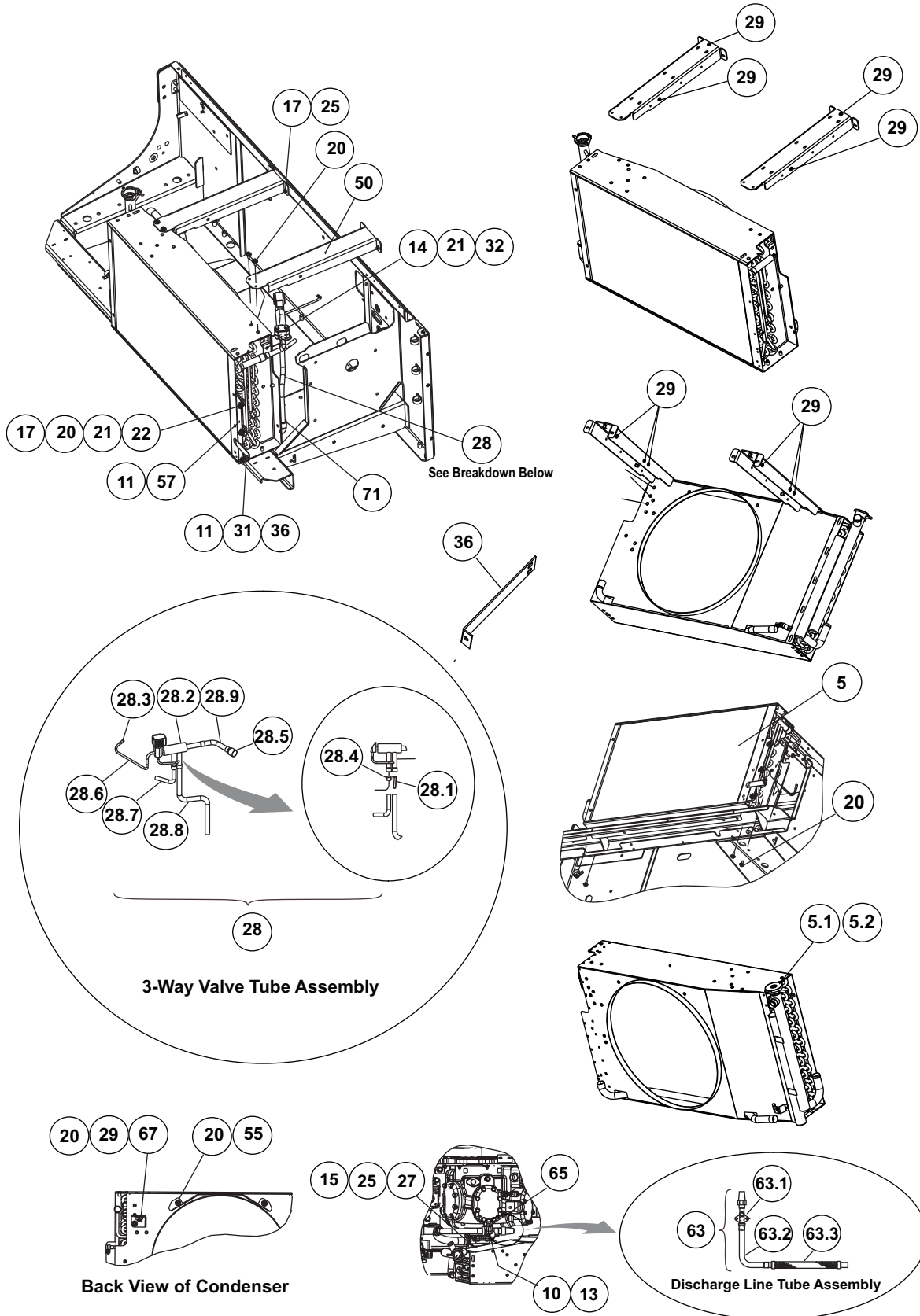
Item Number	Part Number	Part Description	Quantity
	XXXXXXXXXXXXXXXXXXXX	XXXXXXXXXXXXXXXXXXXX	
10	30-01114-4	Alternator, 14V 70A - Includes:	1
10.1	30-01114-50	Service Kit A, Hardware	1
10.2	30-01114-51	Service Kit B, D+ Harness	1
10.3	30-01114-56	Brush Holder Assembly, Regulator	1
10.4	30-01114-53	M16 CCW Nut Kit, 16 Washer	1
10.5	30-01114-58	Rear Plastic Cover, without Connector	1
10.6	50-01168-02	Pulley, 3.58 Diameter	1
16	34-00876-35	Screw, Cap, Hex Head, M8 x 35mm, 1.38	1
23	34-00944-08	Washer, Flat, M8	2
26	34-00944-10	Washer, Flat, M10	2
28	34-01249-21	Spacer, M10 x 25 OD x 6 Thick	1
30	34-01249-25	Spacer, M8 x 25 OD x 4 Thick	1
32	34-01184-58	Nut, Lock, M8 Nylock	1
34	34-01184-60	Nut, Lock, M10 Nylock	1
40	34-01184-56	Nut, Lock, M6 Nylock	1
41	34-01152-80	Screw, Cap, Hex Head, M6 x 80mm, 3.543	1
42	34-00873-85	Screw, Cap, Hex Head, M10 x 85mm, 3.35 Long	1
45	34-01249-20	Spacer, M6 x 25 OD x 4 Thick	1
51	34-60095-46	Washer, Lock, M6 x 18mm OD	1
57	48-60451-00	Shaft, Tensioner	1
60	50-01169-01	V-Belt, Notched	1
80	68-70527-00	Bracket, Alternator	1
85	68-60399-00	Bracket, Alternator	1

## Bottom Panel Kit



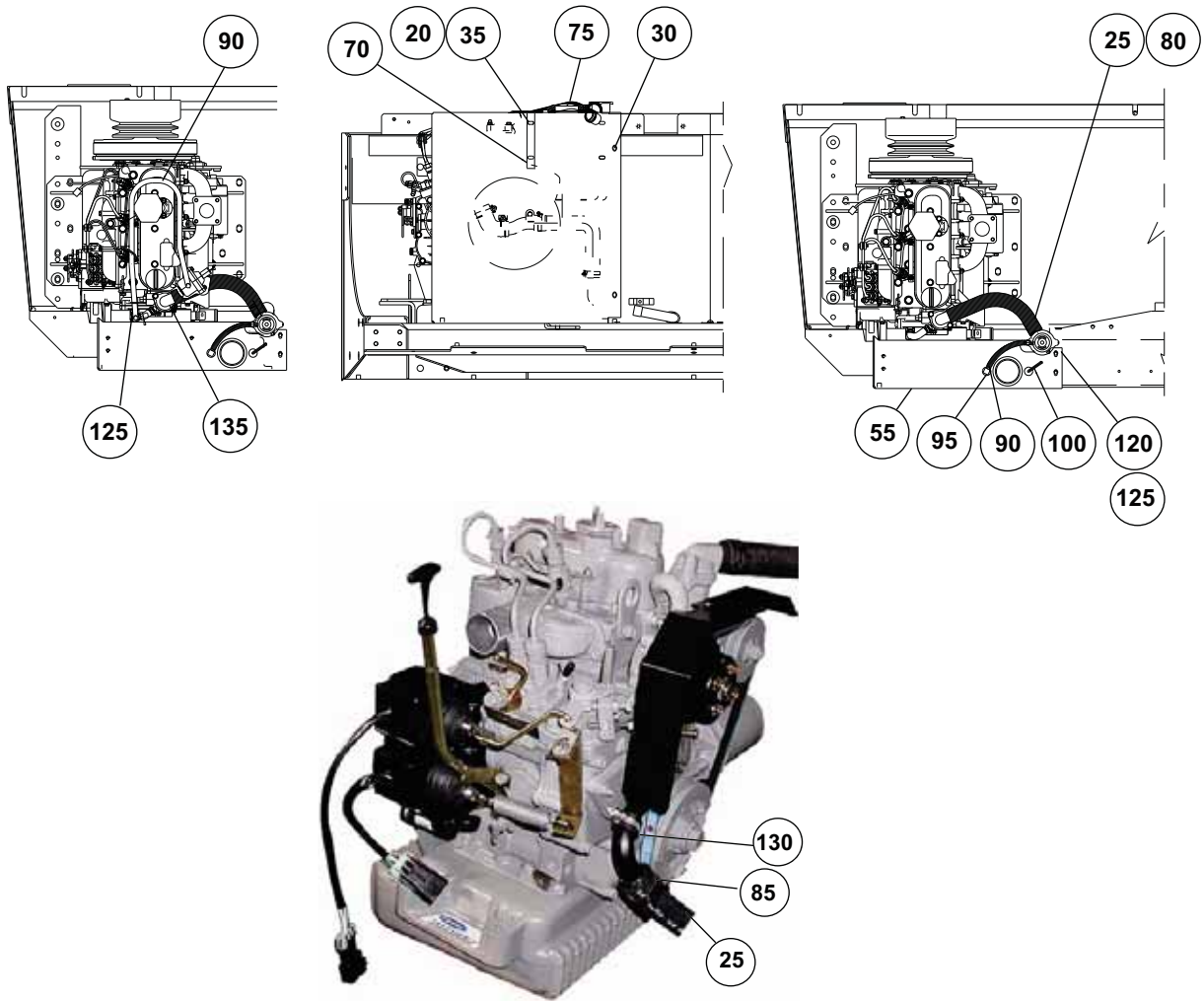
Item Number	Part Number	Part Description	Quantity
		Bottom Panel Kit - Includes	
10	79-60543-04	Panel Assembly - Includes	1
10.1	58-60679-00	Panel, Bottom, Supra, 950 Ph3	1
10.2	34-00774-10	Rivet, Blind, 0.189 Diameter	4
10.3	68-70358-00	Bracket, 3mm Thick, Aluminum	2
10.4	34-01266-25	Screw, Cap, Hex Head, M6, 25mm, 1.0	12
10.5	58-60306-06	Washer, Nylon, M6 - 18	12
30	58-00079-00	Sta-Strap, Cable Clamp, 0 - 4.00 Diameter	1

# Condenser Kit



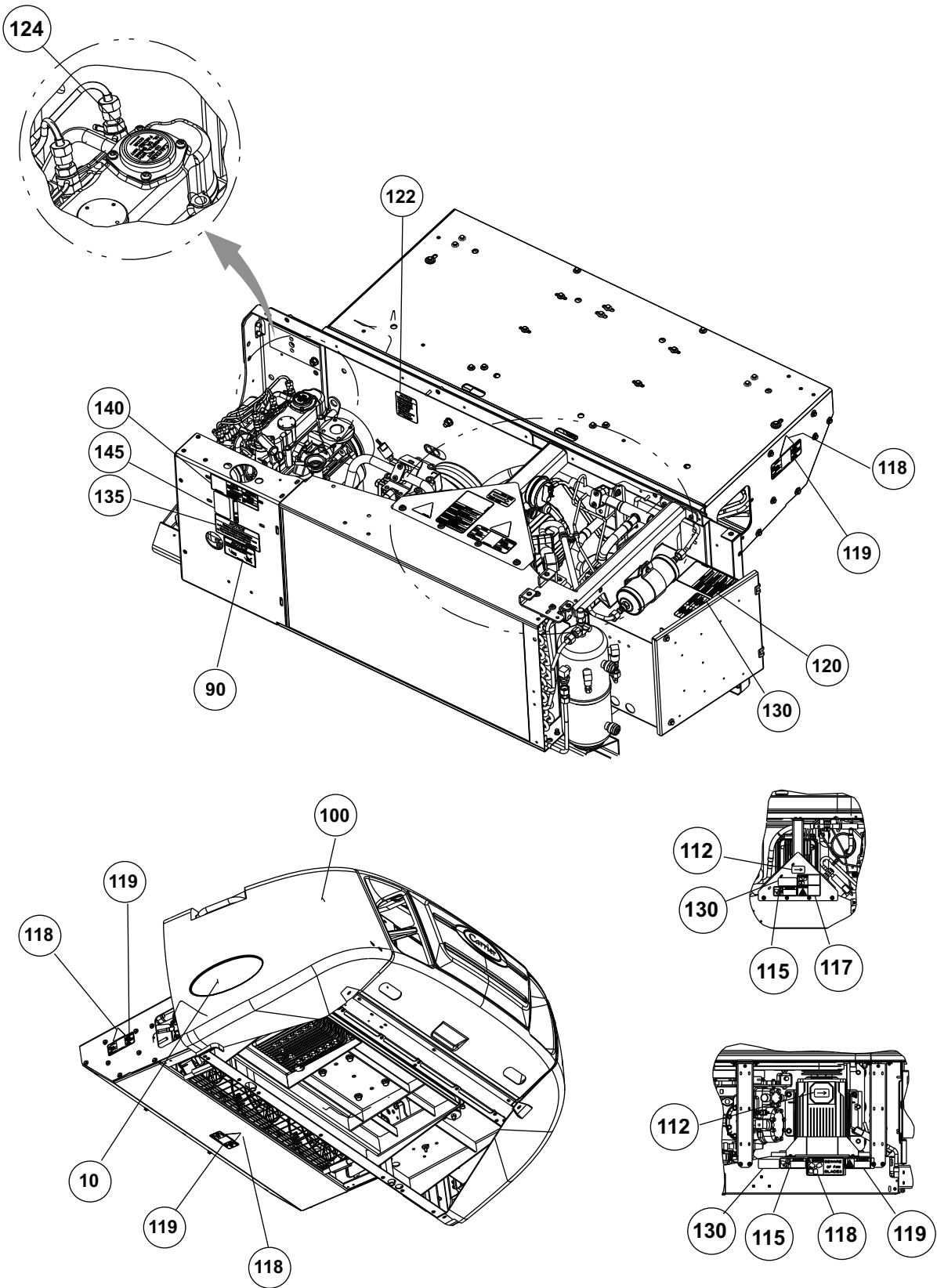
Item Number	Part Number	Part Description	Quantity
		Condenser Kit - Includes:	
5	79-02408-00	Coil, Condenser/Radiator - Includes:	1
5.1	30-60041-00	Cap, Radiator	1
5.2	42-60042-00	Gasket, Radiator Cap	1
10	17-40013-00	Gasket, Cap, Screw	2
11	34-00774-00	Rivet, Blind, 0.188 Diameter, 0.062 - 0.250	5
13	34-00302-14	Screw, Cap, Hex Head, 5/16 - 18 x 1.75	2
14	34-00967-60	Screw, Cap, Hex Head, M6 x 60mm, 2.362	2
15	34-01152-20	Screw, Cap, Hex Head, M6 x 20mm, 0.787	1
17	34-01184-106	Nut, Lock, M6 Nylock	7
20	34-01266-20	Screw, Hex Head, Sems, M6 x 20mm, Slotted	15
21	34-60095-27	Washer, Lock, M6 x 14mm, OD	5
22	34-00373-03	Clamp, Tube, 0.38 Diameter, Cushioned	3
25	34-60002-06	Washer, Flat, M6	5
27	44-01134-14	Clamp, 0.88 Diameter, High-Temperature, Cushioned	1
28	81-02661-00	Tube Assembly, 3-Way Valve - Includes:	1
28.1	14-00176-03	Strainer, 40 Mesh, 5/8 OD	1
28.2	14-00337-02	Valve, 3-Way, 5/8 ID, Size	1
28.3	40-00091-02	Coupling, 1/4 Sol x Sol	1
28.4	40-00201-04	Bushing, Flush, 5/8 ODF x 1/2, ODS	1
28.5	40-00130-14	Coupling, 7/8C x 5/8C	1
28.6	56-03923-00	Tube, Copper, 1/4 OD	1
28.7	56-03924-00	Tube, Hot Gas, Copper, 1/2 OD	1
28.8	56-03918-00	Tube, Condenser, Copper, 5/8 OD	1
28.9	56-03921-00	Tube, Copper, 5/8 OD	1
29	34-01314-24	Rivnut, M6 x 1.00, Hex	2
31	58-00065-25	Grommet, 0.19 ID x 0.34 OD	1
32	44-00285-66	Clamp, Tube, 5/8 OD	1
36	68-07510-00	Bracket	1
50	68-08364-00	Channel, Support	2
55	68-60531-00	Shroud, Condenser	1
57	68-60401-01	Plate	1
63	81-02563-00	Tube Assembly, Discharge Line - Includes:	1
63.1	14-01042-14	Valve, Service, 7/8 OD, Tube	1
63.2	56-60383-01	Tube, Copper, 7/8 OD	1
63.3	73-60010-00	Vibrasorber, 7/8 OD x 7/8 OD	1
65	17-44138-00	Gasket, Discharge Valve	1
67	86-03179-00	Bracket Assembly, Weld	1
71	40-00201-10	Bushing, Flush, 7/8 ODF x 5/8 ODS	1

## Coolant Kit



Item Number	Part Number	Part Description	Quantity
20	34-01184-106	Nut, Lock, M6 Nylock	4
25	44-00045-03	Clamp, Hose, 0.88 - 1.75, Worm Type	4
30	34-01266-20	Screw, Hex Head, Sems, M6 x 20mm, Slotted	11
35	34-60095-27	Washer, Lock, M6 x 14mm, OD	4
55	86-03180-00	Bracket Assembly	1
70	58-00735-01	Bottle, Coolant Recovery	1
75	58-00743-00	Cap, Coolant Bottle	1
80	58-60039-15	Hose, Upper Coolant	1
85	58-60189-00	Hose, Lower Coolant	1
90	22-01049-11	Tube, Clear, 5/16 ID x 24.00 Long	1
95	58-60094-02	Elbow, Adapter	1
100	22-00398-72	Tube, Clear, 1/8 ID x 36.00 Long	1
120	34-00967-25	Screw, Cap, Hex Head, M6 x 25mm, 0.984	2
125	34-60002-06	Washer, M6 Belleville	2
130	44-00293-08	Clamp, Stepless, Ear, 1/2 Diameter	1

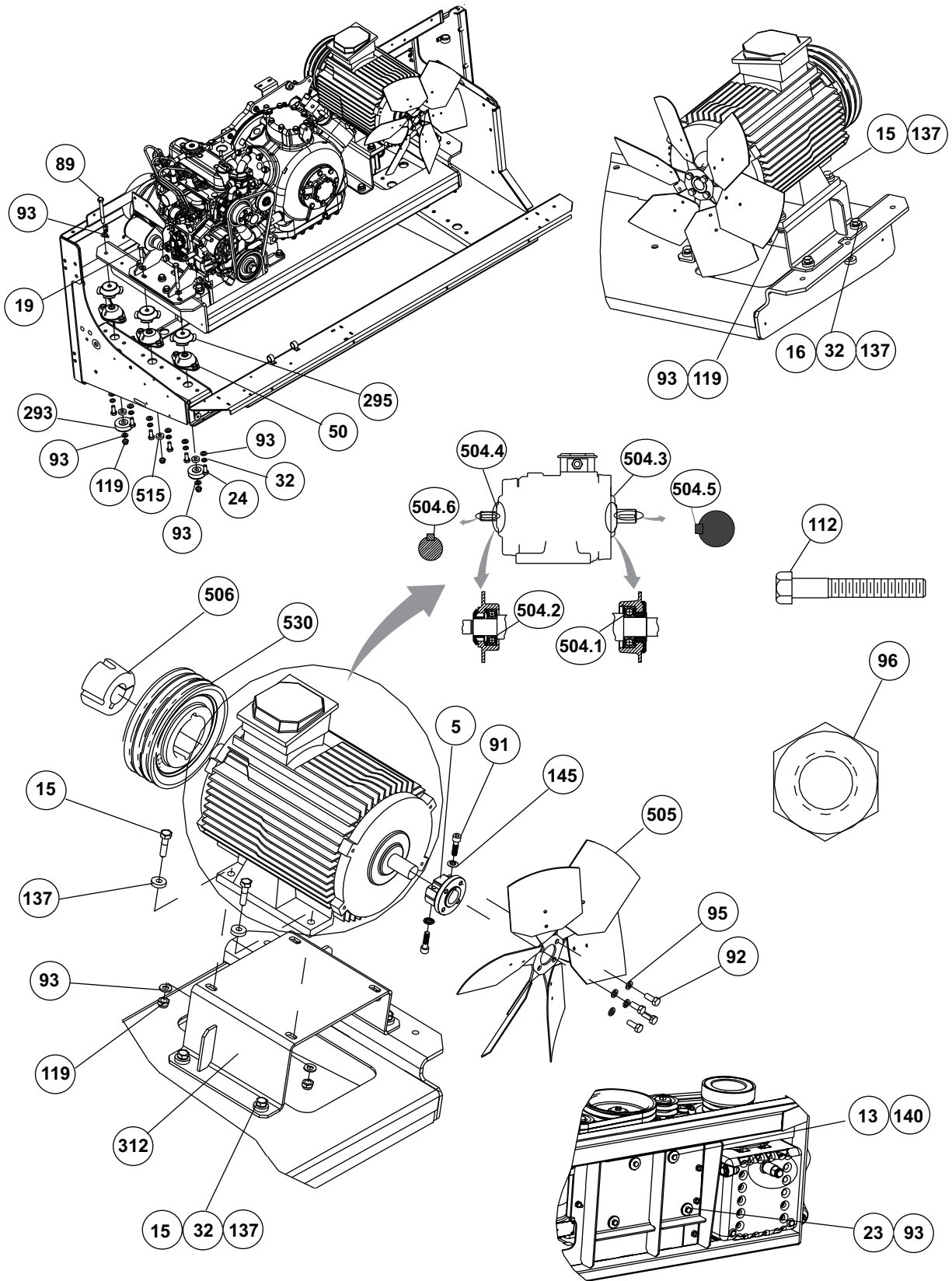
# Decal Kit



Item Number	Part Number	Part Description	Quantity
10	62-60949-44	Decal, Supra 960	1
90	62-04174-00	Decal, Supra	1
100	62-02140-00	Decal, Service, Action Line	1
112	62-04171-00	Decal, Rotation	1
115	62-04157-00	Decal, Danger, Belt Rotation	1
118	62-04156-00	Decal, Warning, Beware of Fan	4
119	62-04158-01	Decal, Warning, Auto Start	4
120	62-04160-00	Label, R-404A/Compressor Oil	1
122	62-04172-00	Decal, Caution, Belt Tension	1
124	62-04173-00	Decal, Oil Overfill	1
130	62-04164-00	Label, Warning, Explosion	2
135	62-04154-00	Decal, Radiator Coolant Instructions	1
140	62-04155-00	Decal, Warning, Radiator Cap	1
145	62-04074-00	Decal, Extended Life Antifreeze	1

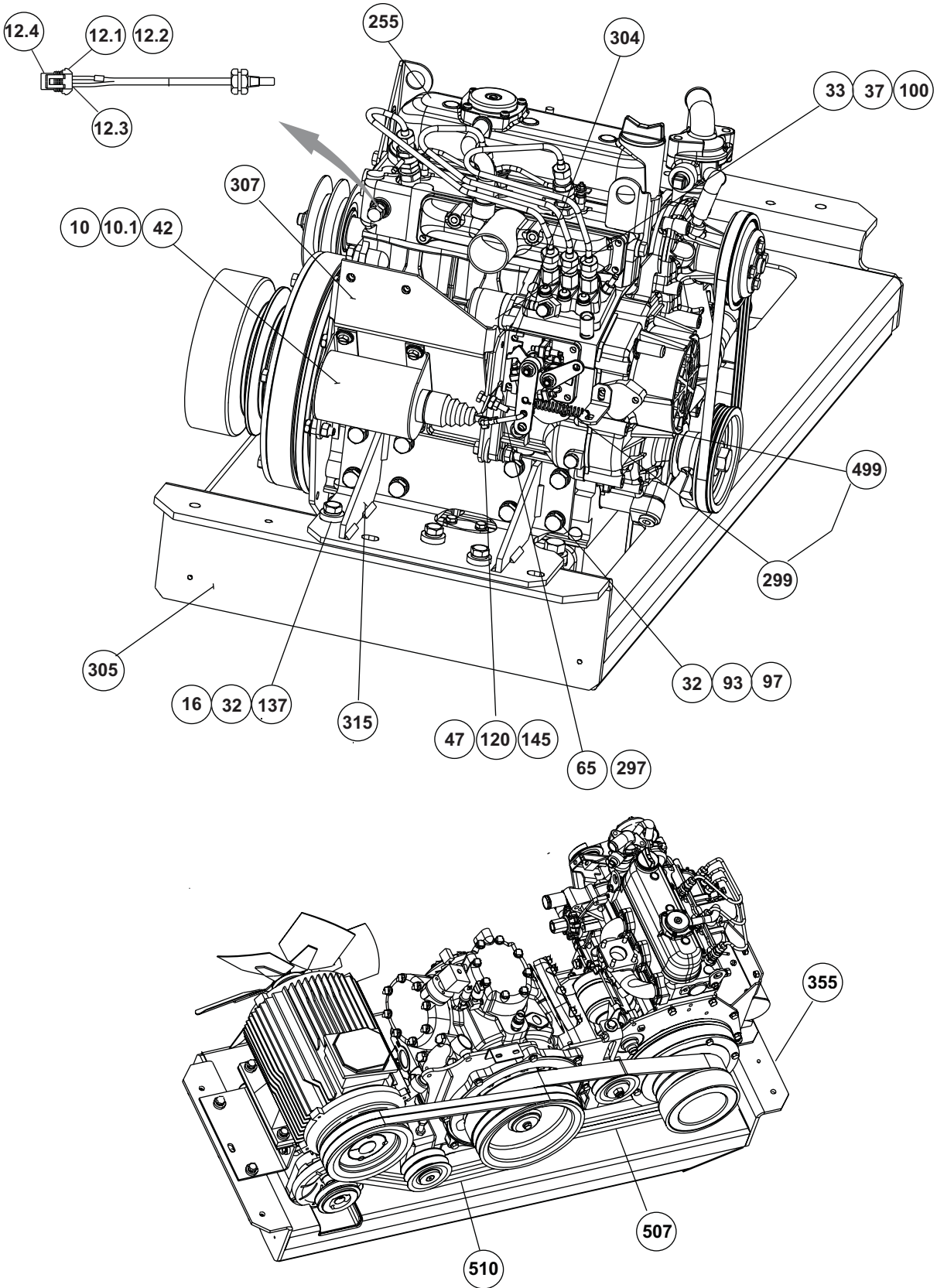


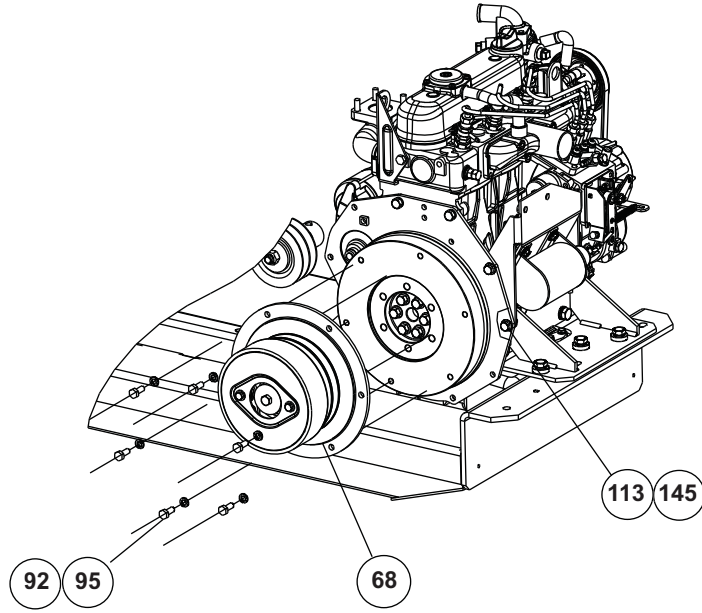
# Drive Kit



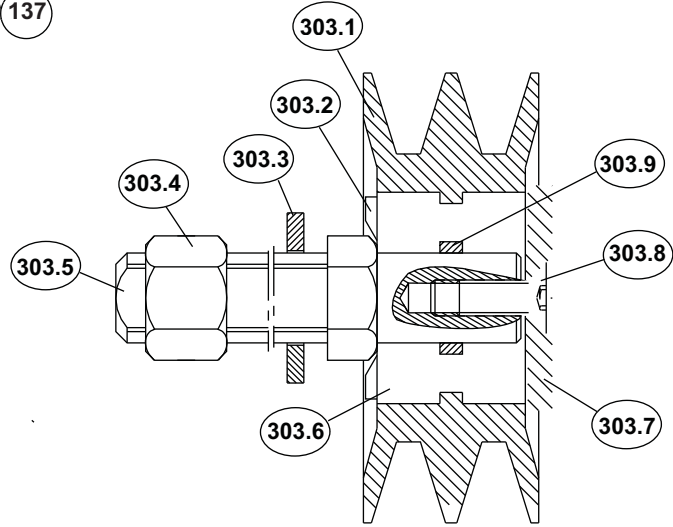
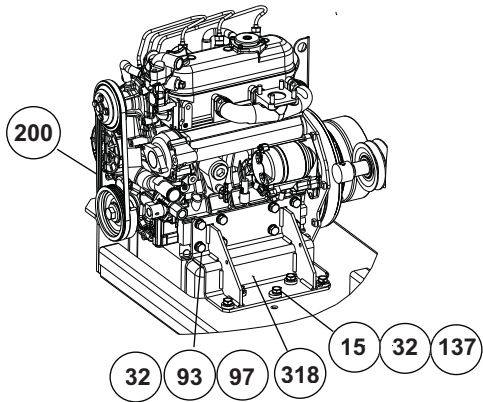


# Drive Kit



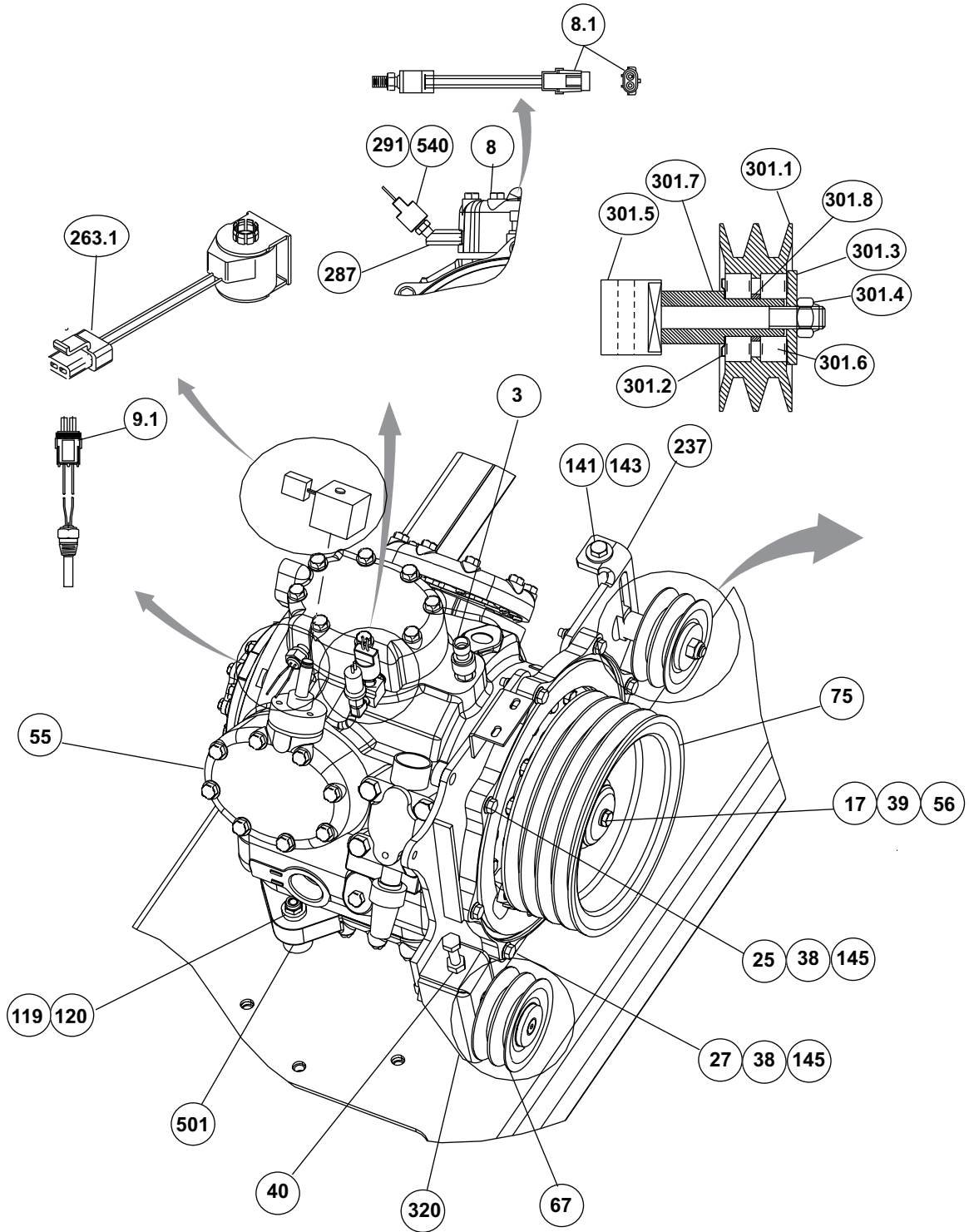


Clutch Assembly



303 Idler Assembly

# Drive Kit



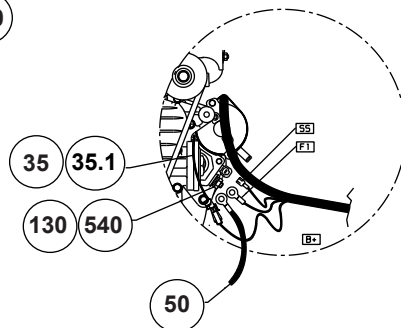
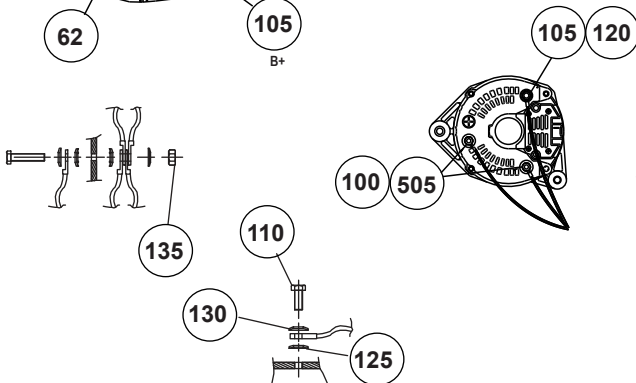
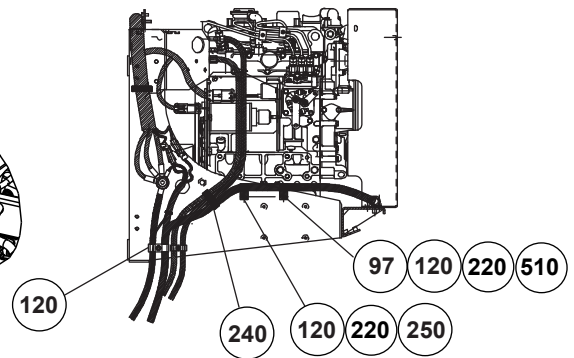
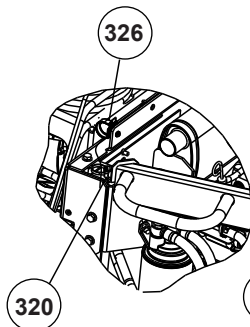
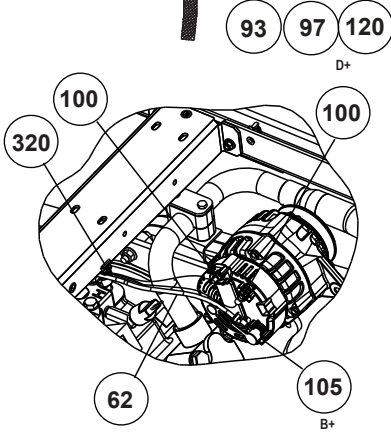
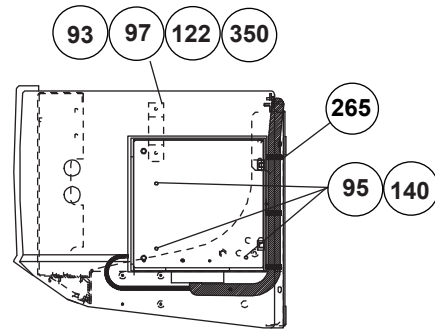
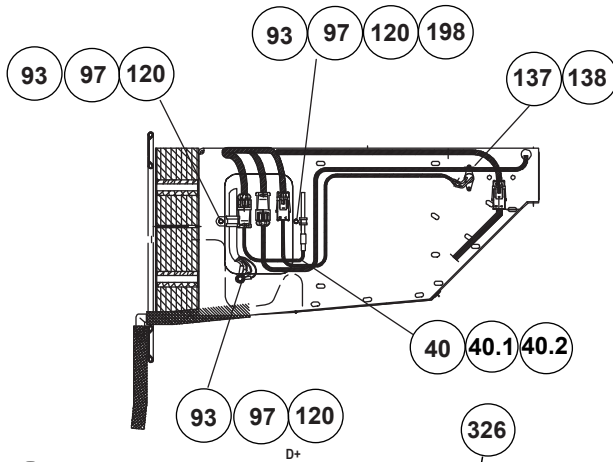
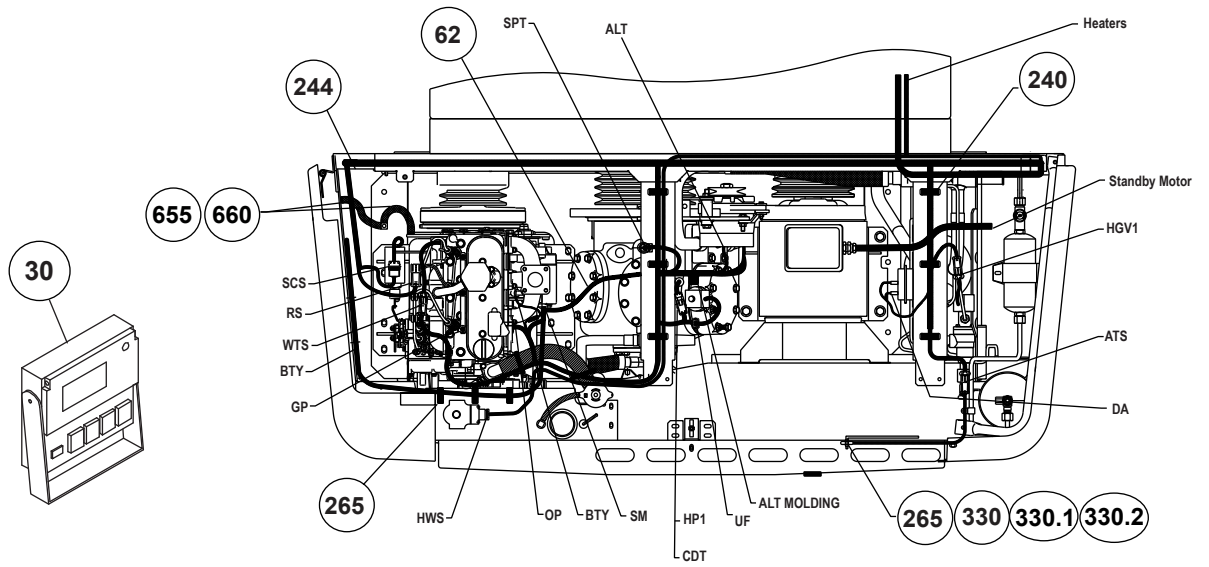
Item Number	Part Number	Part Description	Quantity
		Drive Kit - Includes:	
3	12-00283-00	Transducer, Pressure	1
5	48-60001-00	Bushing, Condenser Fan	1
8	12-00309-04	Switch, Pressure, 465/350 PSIG - Include:	1
8.1	22-02392-00SV	Connector, 2-Wire	1
9	12-00284-00	Thermistor, Probe, Compressor Temperature - Include:	1
9.1	22-01585-00SV	Connector, 2-Wire	1
10	10-66810-00	Solenoid, 12 VDC - Includes:	1
10.1	22-50078-02SV	Connector, 2-Wire	1
12	12-01145-04	Thermistor, Probe, Engine Temperature - Includes:	1
12.1	22-50078-02	Connector, Female	1
12.2	22-50078-01A	Lock, Secondary	1
12.3	22-02394-02	Seal, Cable	2
12.4	22-50078-47D	Terminal, Female	2
13	34-01280-28	Screw, Cap, Hex Head, 3/8-16 x 3.5 Nylock	2
15	34-00873-40	Screw, Cap, Hex Head, M10 x 40mm, 1.575	11
16	34-00873-30	Screw, Cap, Hex Head, M10 x 30mm, 1.181	7
17	34-00368-13	Washer, Lock, 3/8 Spring	1
19	34-00873-70	Screw, Cap, Hex Head, M10 x 70mm, 2.76 Long	2
23	34-00873-85	Screw, Cap, Hex Head, M10 x 85mm, 3.35 Long	2
24	34-00873-25	Screw, Cap, Hex Head, M10 x 25mm, 0.984	12
25	34-00876-35	Screw, Cap, Hex Head, M8 x 35mm, 1.38	1
27	34-00876-45	Screw, Cap, Hex Head, M8 x 45mm, 1.77	5
30	34-00890-11	Washer, Special, 0.420 x 2.25	3
32	34-00945-10	Washer, Lock, 10 WL	45
33	34-00946-06	Nut, Hex, M6 x 1.00	1
37	34-01152-30	Screw, Cap, Hex Head, M6 x 30mm, 1.181	1
38	34-01184-58	Nut, Lock, M8 Nylock	6
39	34-01249-27	Spacer, M10 x 50 x 10 Thick	1
40	34-01256-90	Screw, Cap, Hex Head, M10 x 90mm, 3.543	1
42	34-01266-20	Screw, Hex Head, SEMS, M6 x 20mm, Slotted	4
47	34-00361-12	Nut, Self-Locking, 5/16-18	1
50	73-00154-03	Shockmount	6
55	18-00091-13	Compressor, 2-Port, 05G, 37 CFM	1
56	34-00305-14	Screw, Cap, Hex Head, 3/8-24 x 1 3/4 UNF	1
65	44-01049-01	Clip, Retaining, 0.170/0.185, Rod	1
67	48-60010-01	Spacer, Alternator, 40mm x 50 Thick, Steel	1
68	50-01171-02	Clutch Assembly, 2-B Belts, 150	1
75	50-60071-01	Sheave, Compressor	1
89	34-00873-90	Screw, Cap, Hex Head, M10 x 90mm, 3.543	4
91	34-00825-02	Screw, Cap, Socket Head, M8 x 30mm	2
92	34-00876-20	Screw, Cap, Hex Head, M8 x 20mm, 0.79	10
93	34-00944-10	Washer, Flat, M10	42
95	34-00945-08	Washer, Lock, M8 Spring	10
97	34-00961-25	Screw, Cap, Hex Head, M10 x 25mm, 0.984	16
100	34-00967-35	Screw, Cap, Hex Head, M6 x 35mm, 1.377	1
112	34-00302-14	Screw, Cap, Hex Head, 5/16-18 x 1.75	1
113	34-01153-25	Screw, Cap, Hex Head, M8 x 25mm, 0.984	2
119	34-01184-60	Nut, Lock, M10 Nylock	12

Item Number	Part Number	Part Description	Quantity
120	34-01249-25	Spacer, M8 x 25 x 4 Thick	1
137	34-01249-21	Spacer, M10 x 25 x 6 Thick	17
140	34-01243-00	Spacer, 40 x 11	4
141	34-60081-110	Screw, Cap, Hex Head, M20	1
143	34-60085-10	Washer, M10 x 22, Conical	1
145	34-60002-08	Washer, M8 Belleville	18
200	50-60329-02	V-Belt, Poly	1
237	68-70496-00	Bracket	1
255	26-60002-16	Engine, Kubota	1
263	22-02804-00	Coil, Compressor Unloader - Includes:	1
263.1	22-50078-02SV	Connector, 2-Wire	1
287	40-01171-00	Elbow, 45, Brass, 1/4 x 1/8	1
291	58-00079-02	Sta-Strap, Cable Clamp, 0-1.75 Diameter	4
293	73-00096-02	Shockmount	4
295	73-00154-01	Shockmount, Cover	3
297	30-60030-00	Rod, Linkage, Speed	1
299	73-60005-00	Spring, Speed Control	1
301	50-60407-00	Pulley Assembly - Includes:	1
301.1	50-60170-00	Pulley, 2 Grooves, SPB	1
301.2	04-60009-20	Washer, 20 ID, 41, 2 OD	1
301.3	48-60214-00	Washer, 25 ID, 50 OD	1
301.4	34-01184-12	Nut, Lock, M12 Nylock	1
301.5	48-60211-02	Shaft	1
301.6	04-60008-24	Bearing, Ball, 20 x 47 x 14	2
301.7	48-60213-02	Ring	1
301.8	48-60170-00	Spacer, 20 ID, 25 OD	1
303	50-60094-02	Idler Assembly - Includes:	1
303.1	50-60170-00	Pulley, 2 Grooves, SPB	1
303.2	04-60009-20	Washer, 20 ID, 41, 2 OD	1
303.3	34-60057-17	Washer, M20 x 360D x 1.6	1
303.4	34-00946-20	Nut, Hex, M20	1
303.5	48-60169-02	Shaft, M20, Length 125	1
303.6	04-60008-24	Bearing, Ball, 20 x 47 x 14	2
303.7	48-60167-02	Spacer, 50 OD, 25 ID, 6W	1
303.8	34-60078-20	Screw, Flat Head Socket, M8 x 20	1
303.9	48-60170-00	Spacer, 20 ID, 25 OD	1
304	86-02982-00	Bracket Assembly, Engine Speed	1
307	86-60181-00	Bracket Assembly, Solenoid	1
312	86-60166-00	Bracket Assembly, Standby Mounting	1
315	86-60177-00	Bracket Assembly, Engine, Left	1
318	86-60178-00	Bracket Assembly, Engine, Right	1
320	86-60180-00	Support Assembly, Alternator	1
355	86-03122-01	Power Tray, Multi-Temp	1
499	68-60324-00	Angle	1
501	48-60072-00	Spacer, 30mm OD x 29 Thick	2

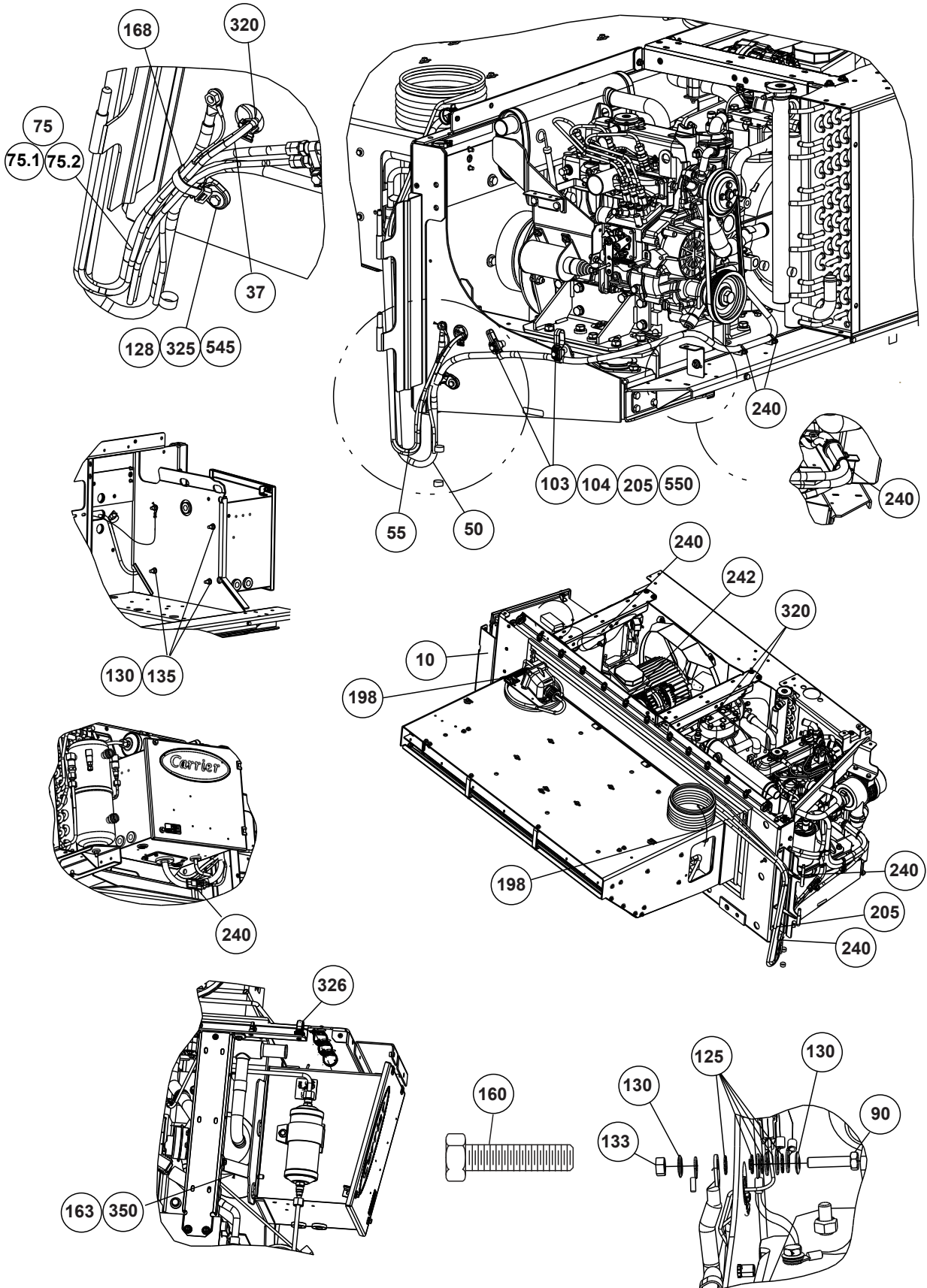
Item Number	Part Number	Part Description	Quantity
504	54-60027-06	Motor, Standby, 9KW - Includes:	1
504.1	04-60011-42	Bearing, Fan Side	1
504.2	04-60008-42	Bearing, Pulley Side	1
504.3	54-50091-00	Cover, Bearing, Fan Side	1
504.4	54-50090-00	Cover, Bearing, Pulley Side	1
504.5	34-60022-06	Key, Fan Side, 10 x 8 x 45mm	1
504.6	34-60022-00	Key, Pulley Side, 8 x 7 x 40mm	1
505	38-00537-00	Fan, Condenser	1
507	50-01166-00	V-Belt, BX, Banded, Engine to Compressor	1
510	50-01170-51	V-Belt, BX, Matched Set, Compressor to Motor	1
515	48-60011-00	Spacer, 10.5 x 25 x 7 Thick	6
535	79-02387-01	Pulley Assembly - Includes:	1
535.1	04-00049-20	Bushing, Split Taper	1
540	58-00858-00	Tube, Slit, 1/4, Bulk Corrugated	1.75



# Electrical Kit, Units without Standby

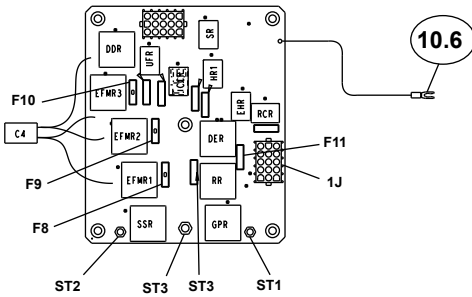
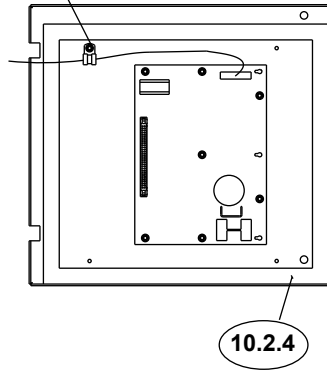
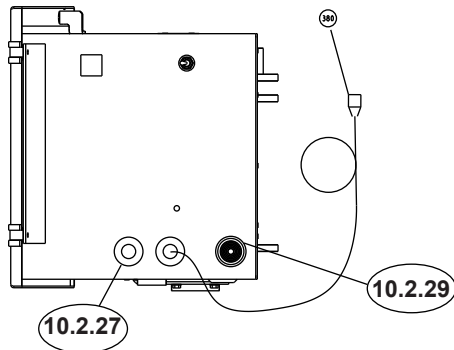
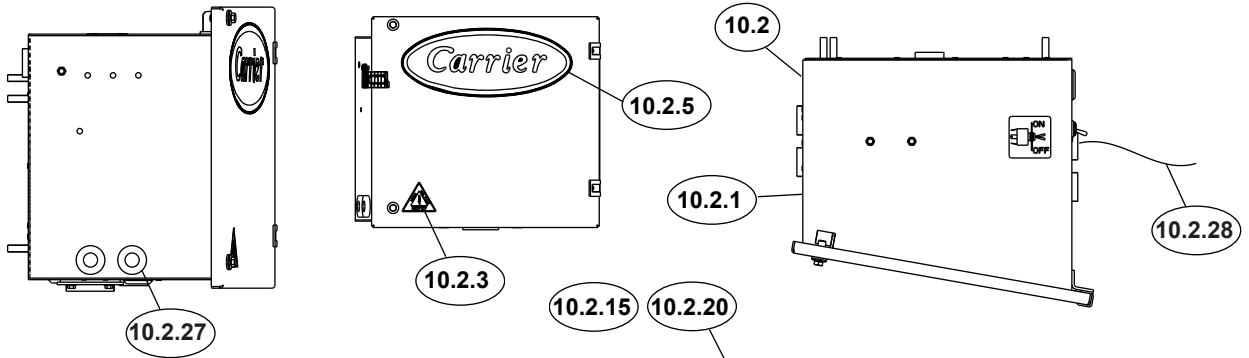


**Electrical Kit, Units without Standby**

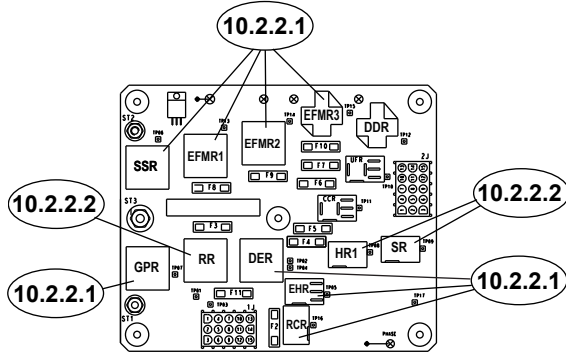
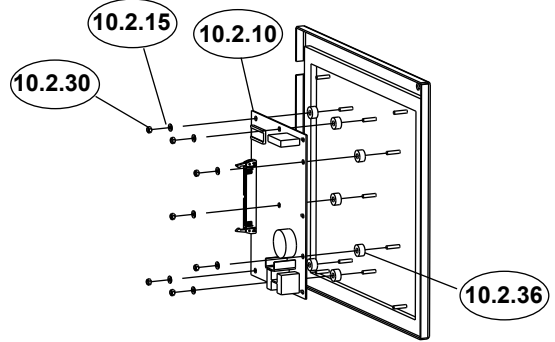




# Electrical Kit, Units without Standby



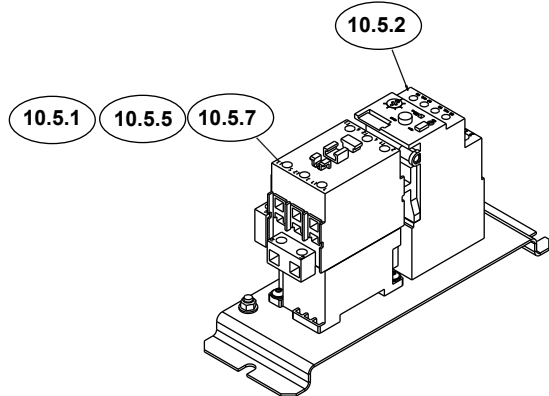
## Door Mounting without Electrical Heat



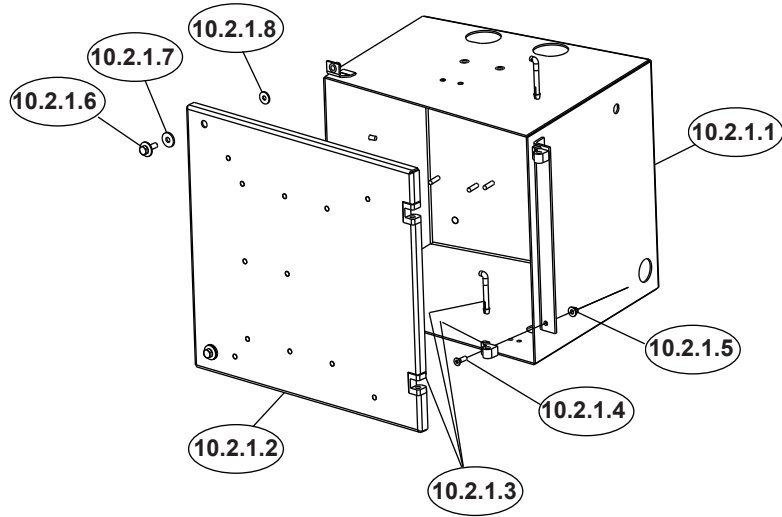
10.2.2.3 4-Pin Connector, C4

10.2.2 Relay and Fuse Circuit Board

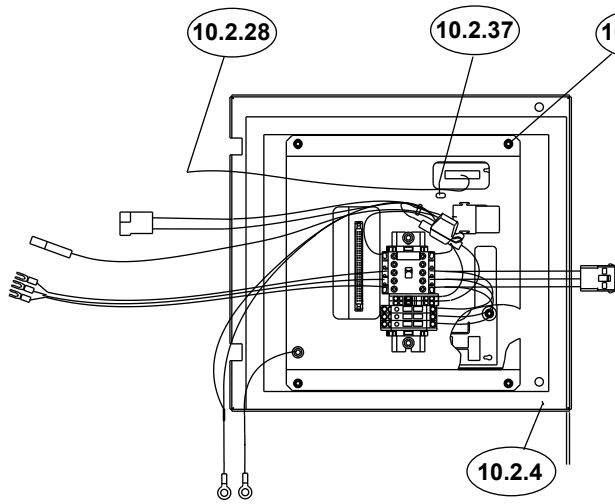
## Logic Board Mounting



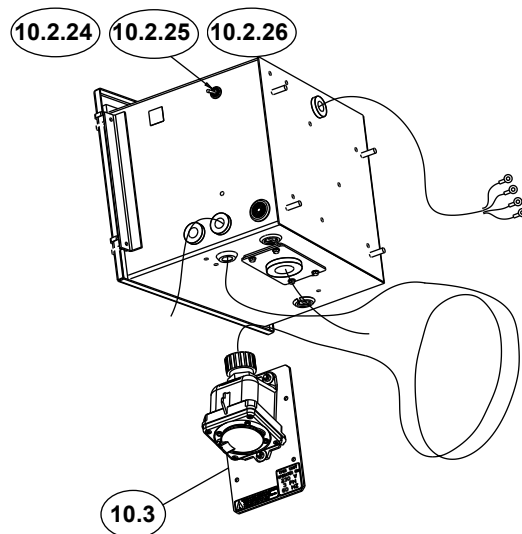
**Electrical Kit, Units without Standby**



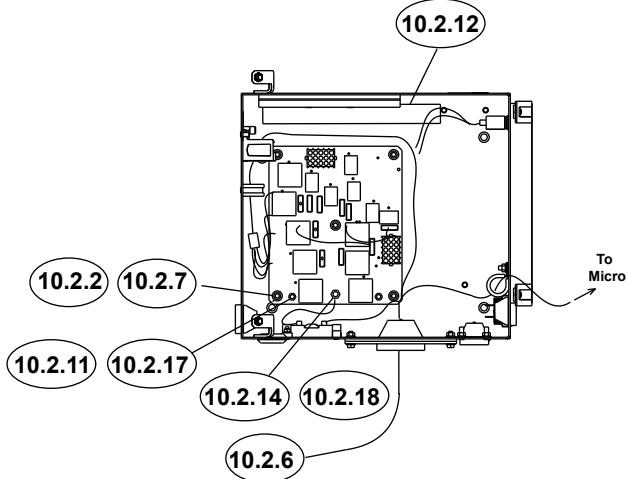
**10.2.1 Control Box Assembly**



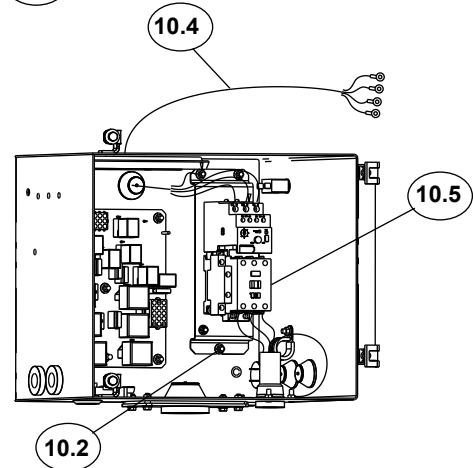
**Door Mounting with Electric Heat**



**10.3**



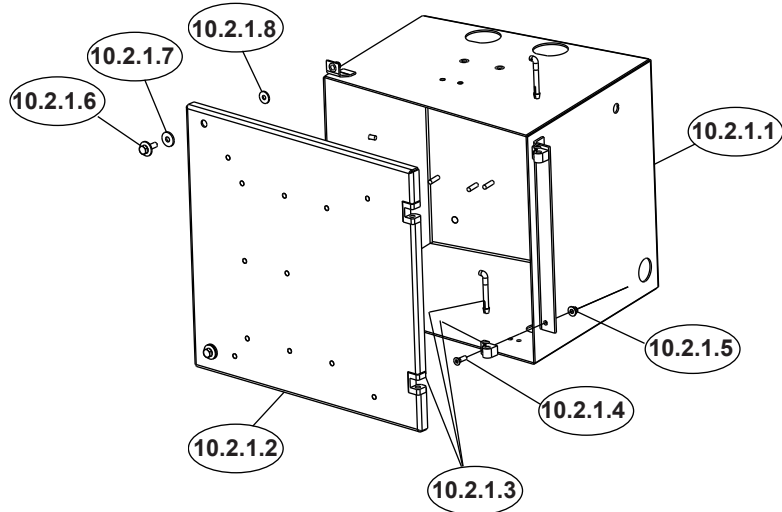
**Main Harness Routing**



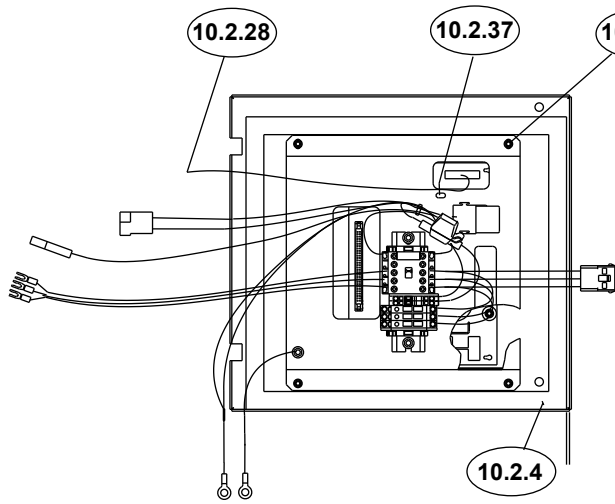
**10.2**

**Standby Harness Routing**

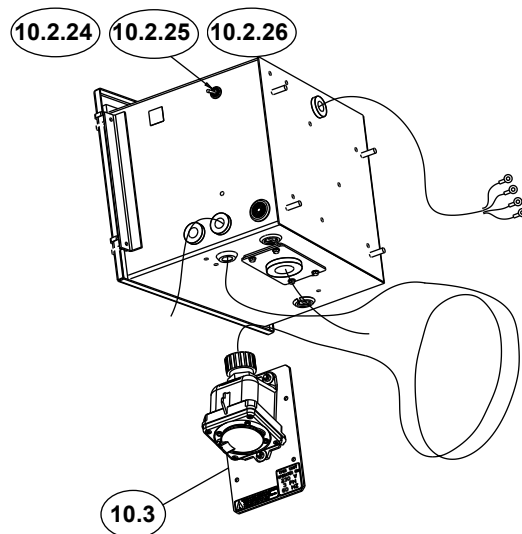
# Electrical Kit, Units without Standby



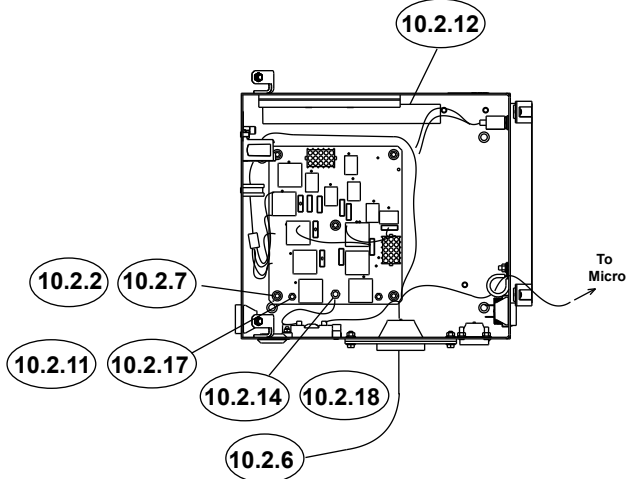
10.2.1 Control Box Assembly



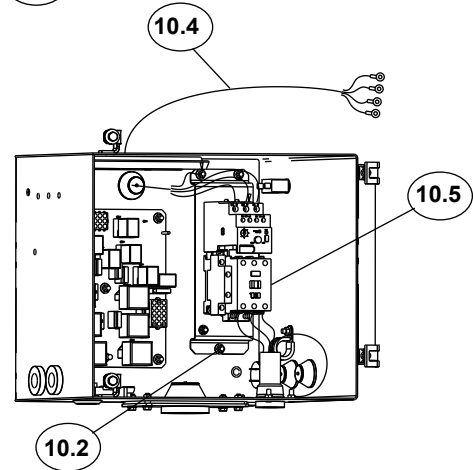
Door Mounting with Electric Heat



10.3



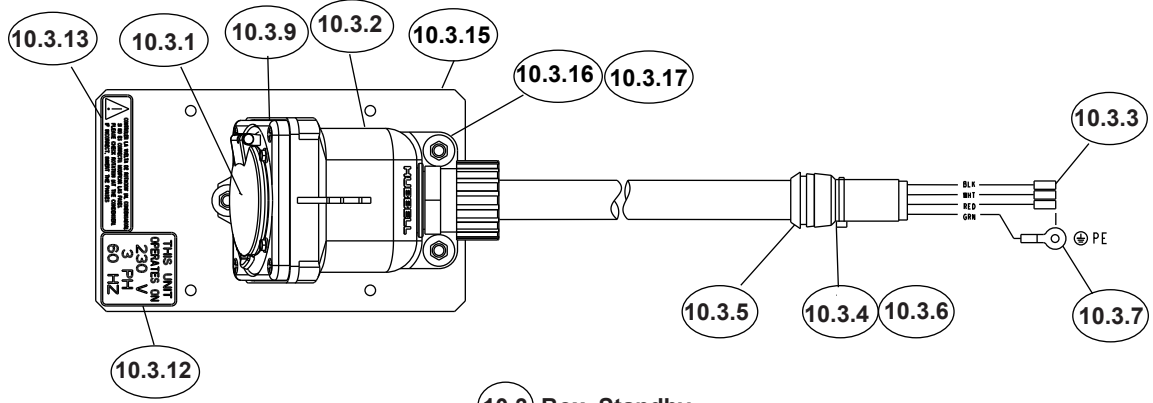
Main Harness Routing



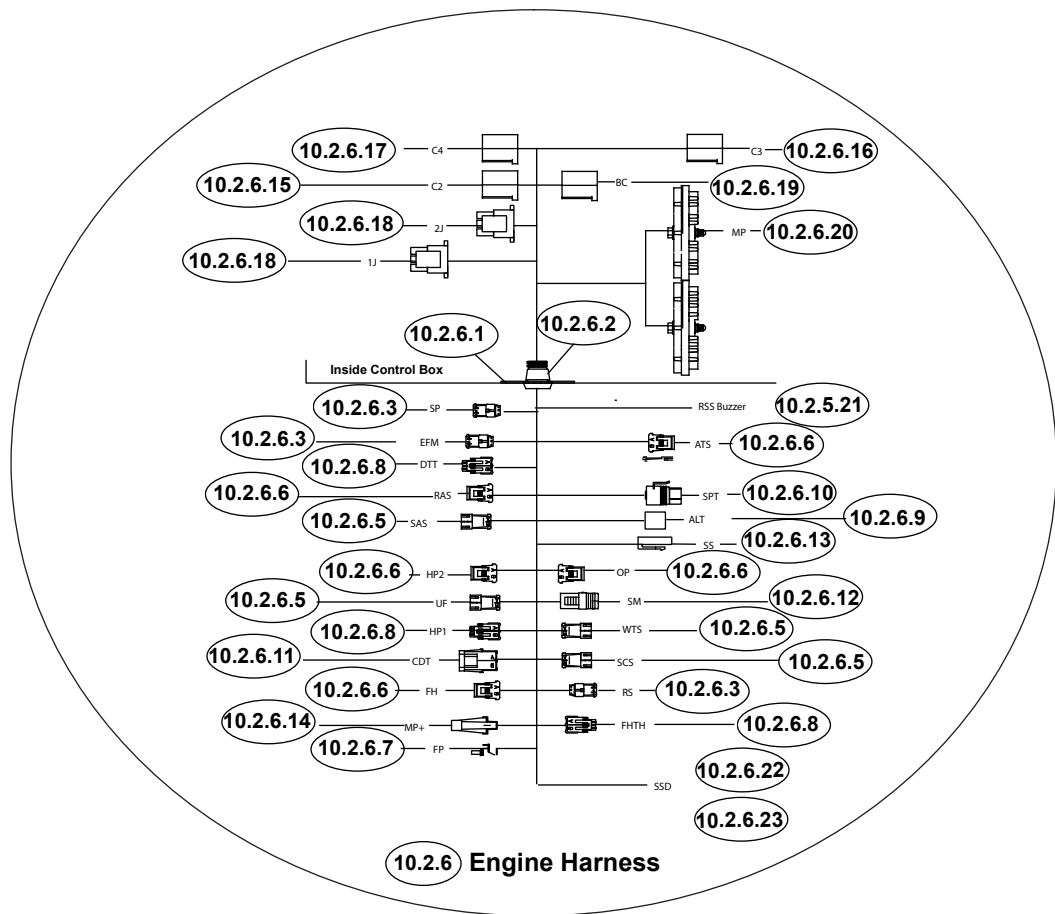
10.2

Standby Harness Routing

# Electrical Kit, Units without Standby



10.3 Box, Standby



10.2.6 Engine Harness

Item Number	Part Number	Part Description	Quantity
10	91-01190-69	Control Box, No Standby	1
10.1	58-04842-05	Grommet, Tap	2
10.2	91-01190-12	Base, without Electric Heat	1
10.2.1	79-02376-03	Box Assembly, Control Box	1
10.2.1.1	86-03187-01	Control Box Assembly, Welded	1
10.2.1.2	68-08160-01	Door, Control Box	1
10.2.1.3	44-00356-00	Hinge, Two Piece Plastic	2
10.2.1.4	34-60236-16	Screw, M5 x 16mm, 0.62 Long	2
10.2.1.5	34-60235-00	Nut, Lock, M5	2
10.2.1.6	34-60068-20	Screw, Captive Washer, M6 x 20mm Long	2
10.2.1.7	58-60306-06	Washer, Nylon, M6 - 18	2
10.2.1.8	58-60306-05	Washer, Nylon, M5 - 15	2
10.2.2	12-00460-06	Circuit Board, Relay and Fuse	1
10.2.2.1	10-00286-21	Relay, DER, EFMR1, EFMR2, EFMR3, GPR, RR, SSR	7
10.2.2.2	10-00385-04	Relay, HR1, RCR, SR	3
10.2.2.3	22-60254-08	Connector, 4-Pin, C4	1
10.2.2.4	22-02336-00	Fuse, 30A, F8, F9, F10	3
10.2.2.5	22-02336-02	Fuse, 5A, F2, F4, F11	3
10.2.2.6	22-02336-04	Fuse, 10A, F5	1
10.2.2.7	22-02336-06	Fuse, 15A, F3	1
10.2.3	62-02138-00	Decal, Warning, High Voltage	1
10.2.4	42-00715-01	Gasket, Door, Control Box	1
10.2.5	62-11144-00	Decal, Carrier	1
10.2.6	22-02984-00	Harness, Engine	1
10.2.6.1	68-08126-00	Bracket, Grommet	1
10.2.6.2	58-60298-05	Grommet, 26 to 35mm Diameter Cable	1
10.2.6.3	22-50078-05SV	Connector, 3-Wire, SP, EFM, RS	3
10.2.6.5	22-50078-01SV	Connector, 2-Wire, 3WV, UF, WTS, SAS, SCS	5
10.2.6.6	22-50078-02SV	Connector, 2-Wire, ATS RAS, HP2, OP, FH	5
10.2.6.7	22-50078-63SV	Connector, 1-Wire, DDS, FP	2
10.2.6.8	22-01585-00SV	Connector, 2-Wire, DTT, HP1, FHTH	3
10.2.6.9	12-60004-00	Module, Resistor/Diode, Alternator	1
10.2.6.10	22-04187-10	Connector, 3-Wire, SPT	1
10.2.6.11	22-02392-00SV	Connector, 2-Wire, CDT	1
10.2.6.12	22-50078-30SV	Connector, 1-Wire, SM	1
10.2.6.13	22-50098-06SV	Connector, 1-Wire, SS	1
10.2.6.14	22-50078-64SV	Connector, 1-Wire, MP+	1
10.2.6.15	22-60254-04	Connector, 2-Wire, C2	1
10.2.6.16	22-60254-06	Connector, 3-Wire, C3	1
10.2.6.17	22-60254-09	Connector, 4-Wire, C4	1
10.2.6.18	22-60300-12	Connector, 15-Wire, 1J, 2J	2
10.2.6.19	22-60275-21	Connector, 2-Wire, BC	1
10.2.6.20	22-50099-01	Connector, 60-Wire, MP	1
10.2.6.21	22-50099-44	Connector, 1-Wire, RSS, Buzzer	4
10.2.6.22	22-50078-21	Connector, 1-Wire, SSD	1
10.2.6.23	22-50078-07	Connector, 1-Wire, SSD	1
10.2.7	34-60089-05	Nut, Lock, M5 Twolock	12
10.2.8	34-00366-09	Washer, Plain, #10	2
10.2.9	34-00774-04	Rivet, Blind, 0.188 Diameter, 0.250 - 0.500	2

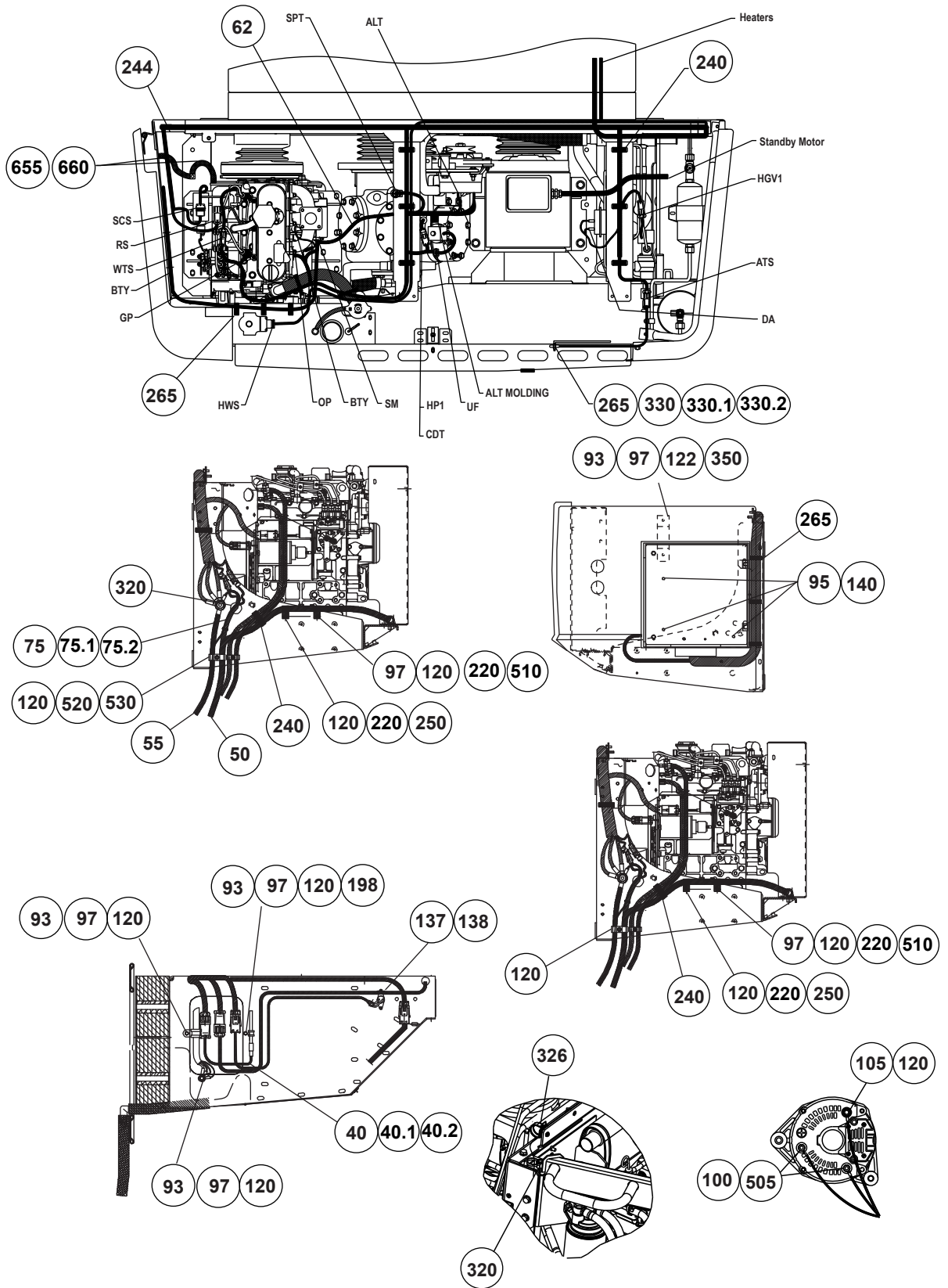
Item Number	Part Number	Part Description	Quantity
10.2.10	12-00649-47	Logic Board, Micro	1
10.2.11	58-00660-00	Washer, Condensate Drain	4
10.2.12	62-04135-00	Lamination, Schematic	1
10.2.13	34-00946-105	Nut, Hex, M5	2
10.2.14	34-00946-106	Nut, Hex, M6	1
10.2.15	34-01151-04	Washer, Flat, M5	10
10.2.16	34-01151-05	Washer, Flat, M6	4
10.2.17	34-01327-05	Washer, Lock, M5 Spring	2
10.2.18	34-01327-06	Washer, Lock, M6 Spring	1
10.2.19	34-60000-16	Screw, Mach. Hex Head, M5 x 16MM	4
10.2.20	34-00373-01	Clamp, Tube, .25 Diameter	1
10.2.21	42-60082-00	Gasket, Control Box	1
10.2.22	22-60340-04	Fuse, Midifuse 80A, F1	2
10.2.23	22-60599-00	Fuse Holder, Midival	1
10.2.24	10-01129-15	Switch, Toggle, 1-Pole, Off/On	1
10.2.25	42-00583-00	Seal, Panel Bushing	1
10.2.26	58-60306-13	Washer, Nylon, M12 x 2.4 Thick x 18 OD	1
10.2.27	58-04842-04	Grommet	3
10.2.28	22-02964-00	Cable Assembly, Cab Command, 10M	1
10.2.29	10-00375-02	Buzzer, Warning	1
10.2.30	34-01184-04	Nut, Lock, M4 Nylock	17
10.2.31	22-02336-02	Fuse, 5A, F2, F4, F6, F11	4
10.2.32	22-02336-06	Fuse, 15A, F3, F7	2
10.2.33	22-02336-00	Fuse, 30A, F8, F9, F10	3
10.2.34	22-02336-50	Fuse, Removal Tool	1
10.2.35	22-02336-04	Fuse, 10A, F5	1
10.2.36	58-00836-18	Spacer, Nylon	7
10.2.37	58-00079-02	Sta-Strap, Nylon	3
10.2.38	62-60223-28	Decal, SUFR	1
10.3	91-01186-00	Box Assembly, Standby, 208 - 230V	1
10.3.1	22-02955-00	Receptacle, 230V, 50A, 3-Phase	1
10.3.2	22-02937-00	Box, Conduit	1
10.3.3	22-02324-02	Bushing, 0.177 ID x 0.59, 8 AWG	7
10.3.4	22-04183-01	Heat Shrink, 1.00 ID, Black	1
10.3.5	58-04842-05	Grommet, Tap	1
10.3.6	58-00079-02	Sta-Strap, 0 - 1.75 Diameter Cable	1
10.3.7	22-50122-41	Terminal, Ring, #10, 8 - 10 AWG	1
10.3.8	22-02343-06	Connector, 1 NPT	1
10.3.9	22-02954-00	Adapter, Receptacle, Inlet	1
10.3.10	66-U---1--9782-1	Cable, 8/4, SO, Black, 90`C	16.88
10.3.11	34-06136-02	Nut, Lock, 1.00 NPT	1
10.3.12	62-02255-00	Decal, Voltage, 230V	1
10.3.13	62-03914-00	Decal, Check Rotation	1
10.3.14	66-U---1--1251-3	O-Ring, 1.00, Hub Sealing	1
10.3.15	68-08332-01	Bracket	1
10.3.16	34-60002-56	Washer, M6, Belleville	3
10.3.17	34-01184-06	Nut, Lock, M6, Nylock	3
10.4	22-02989-00	Cable Assembly, Standby Motor	1

Item Number	Part Number	Part Description	Quantity
10.5	91-01185-00	Panel Assembly, Standby	1
10.5.1	10-00433-11	Contact, 43A	1
10.5.2	10-00473-06	Overload, 9 to 45A	1
10.5.3	22-02952-00	Harness, MC/OL, Control	1
10.5.3.1	22-60254-07	Connector, 3-Pin, C3	1
10.5.4	22-02953-00	Wire, Ground	1
10.5.5	34-06330-12	Screw, M4 x 12LG, Socket, HD	2
10.5.6	34-01184-05	Nut, Lock, M5, Nylock	1
10.5.7	34-00944-04	Washer, Flat, M4	2
10.5.8	34-00944-05	Washer, M5, Flat	1
10.5.9	68-08383-00	Panel Assembly, Standby	1
10.6	22-60241-03	Terminal, Pin, 1.5mm, Wire	1
30	12-00325-02	Cab Command, Micro Control	1
35	22-60030-00	Harness, Info-Start	1
35.1	22-50078-63SV	Connector, 1-Wire	1
37	22-02907-00	Harness, + Micro	1
40	22-02973-05	Harness Assembly, RAS	1
40.1	12-00500-04	Sensor, Thermistor	1
40.2	22-50078-01SV	Connector, 2-Wire	1
50	22-02941-00	Cable, Battery, Positive, Red x 9200mm Long	1
55	22-02941-01	Cable, Battery, Negative, Black x 8000mm Long	1
62	22-02983-02	Harness, Alt. B+	1
75	22-02979-02	Harness, Fuel Pump	1
75.1	22-01585-00SV	Connector, 2-Wire	1
75.2	22-50078-64SV	Connector, 1-Wire	1
90	34-01153-35	Screw, Cap, Hex Head, M8 x 35mm, 1.378	1
93	34-01152-20	Screw, Cap, Hex Head, M6 x 20mm, 0.787	4
95	34-01184-58	Nut, Lock, M8 Nylock	3
97	34-01184-106	Nut, Lock, M6 Nylock	3
100	34-01184-05	Nut, Lock, M5 Nylock	2
103	34-00944-06	Washer, Flat, M6	2
104	34-00945-06	Washer, Lock, M6	2
105	34-00946-56	Nut, Hex, M6 - 1.0, 0.236	1
110	34-01153-20	Screw, Cap, Hex Head, M8 x 20mm, 0.787	1
120	34-60095-27	Washer, Lock, M6 x 14mm	6
122	34-60095-46	Washer, Lock, M6 x 18mm	1
125	34-00372-123	Washer, Lock, M8 External Tooth	4
128	34-60002-06	Washer, M6, Belleville	1
130	34-60002-08	Washer, M8 Belleville	5
133	34-00946-08	Nut, Hex, M8 - 1.25	1
135	34-00946-58	Nut, Hex, M8 - 1.25, 0.315	1
137	34-01197-10	Screw, Cap, Hex Head, M4 x 10mm, 0.394	2
138	34-60095-24	Washer, Lock, M4 x 10mm	2
140	34-00366-12	Washer, Plain, 5/16	3
160	34-00876-25	Screw, Cap, Hex Head, M8 x 25mm, 0.98	1
163	34-01266-20	Screw, Hex Head Sems. M6 x 20mm	2
168	58-05099-02	Sta-Strap	1
198	58-00079-00	Sta-Strap, Cable Clamp, 0 - 4.00 Diameter	28
205	58-05078-00	Sta-Strap	3

Item Number	Part Number	Part Description	Quantity
220	34-00373-05	Clamp, Tube, 0.50 Diameter, Cushioned	1
240	58-00079-02	Sta-Strap, Cable Clamp, 0 - 1.75 Diameter	16
242	58-05100-00	Sta-Strap	11
250	34-01152-35	Screw, Cap, Hex Head, M6 x 35mm, 1.378	2
265	34-06048-00	Rivet, 0.187 Diameter, 0.187 - 0.375	2
320	44-60150-02	Clip, Harness Retainer	4
325	44-60163-00	Base, Tie Wrap	1
326	58-05100-03	Sta-Strap	5
330	22-01637-00	Harness, ATS	1
330.1	22-50078-01SV	Connector, Male	1
330.2	12-01104-06	Thermistor	1
350	68-60274-00	Bracket	1
505	34-00372-122	Washer, Lock, M6 External Tooth	2
510	34-01152-40	Screw, Cap, Hex Head, M6 x 40mm, 1.575	1
540	34-60201-03	Nut, Hex, M8	1
545	34-00967-30	Screw, Cap, Hex Head, M6 x 30mm	1
550	34-00967-50	Screw, Hex Head, M6 x 50mm	2
655	30-00006-00	Cable, Braided, Ground	1.337
660	30-00007-00	Terminal, Ring, 5/16 Stud, #6 AWG	4



# Electrical Kit (with standby)



**Electrical Kit (with standby)**

