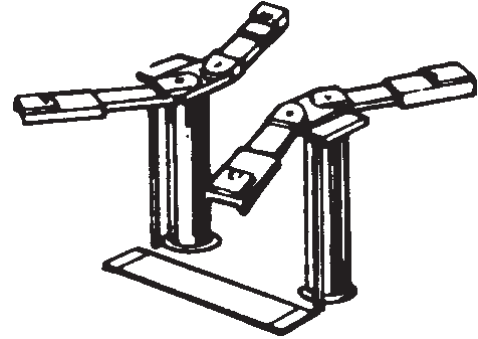




In-Ground Lift Equalizer Assemblies and Parts

For All Two Post Side by Side In-Ground Lifts



Rack Bar Identification by Dimensions

Width	Depth	Features	SVI Rack Bar Part # Plus the Lift Manufacturer
1-3/4"	x	1-3/4"	BH-9012 for Benwil Lifts
1-1/2"	x	1-1/2"	BH-9110 for Cochin Lifts
1-1/2"	x	1-1/2"	BH-9111 for Cochin Lifts
1-1/2"	x	1-1/2"	BH-9210 for Curtis Lifts
3"	x	1-1/2"	BH-9310 for Gilbarco/Manitowoc Lifts
1"	x	2"	BH-9409 for Globe Auto lock
1"	x	2"	BH-9410 for Globe Manual Lock
2-1/2" Diameter		Round	BH-9610 for Joyce/Weaver
1-3/4"	x	1-1/4"	BH-9611 for Weaver
1-7/8"	x	1-7/8"	BH-9612 for Weaver/Rotary

Pinion Gear Identification by Dimensions

Gear Dimensions		No. of Teeth	SVI Pinion Gear Part # Plus the Lift Manufacturer	
Width	Outside Dia.			
1-3/4"	x	4-1/4"	20	BH-9011 for Benwil Lifts
1-1/2"	x	2-5/8"	12	BH-9112 for Cochin Lifts
1-1/2"	x	2-5/8"	20	BH-9211 for Curtis Includes collar/lock screw
1-1/2"	x	3-3/4"	21	BH-9311 for Gilbarco/Manitowoc Lifts
1"	x	4"	18	BH-9411 for Globe Lifts
1-1/2"	x	4-1/4"	20	BH-9613 for Joyce/Weaver/Rotary Lifts

BALTIMORE • CHICAGO • LOS ANGELES

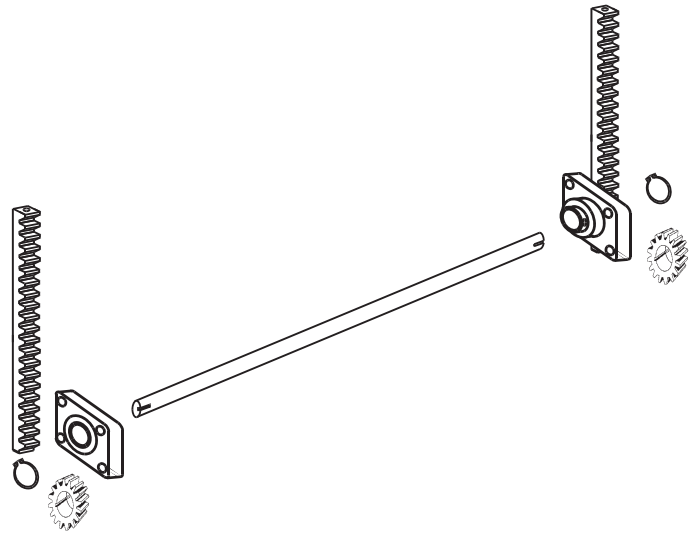
(800) 321-8173 • fax: (800) 899-1784

www.sviinternational.com



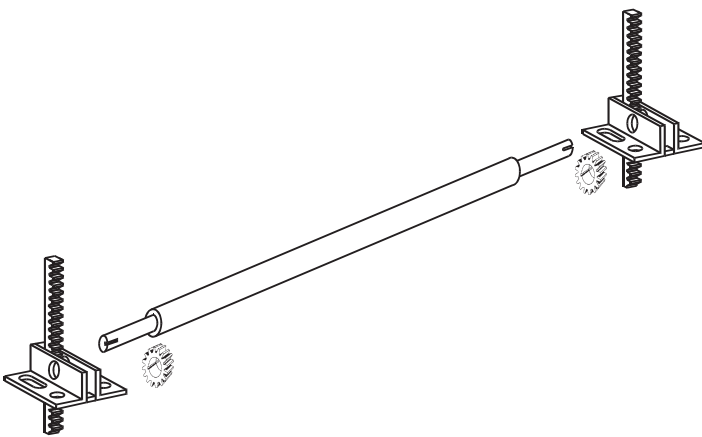
For Benwil Lifts

SVI Part #	Ref. OEM Part #	Description and Contents
BH-9011	10133912	Pinion Gear
BH-9012	10133472	Rack Bar For Standard or Metric Shaft
BH-9013-77		77" Plunger Center Equalizer Assy. Includes: (1) 10146050 Equalizer Shaft (2) 80840501 Bearing Housings (2) 1-1/2" Snap Rings (2) Keys (2) Pinion Gears Rack Bars Sold Separately
Note: BH-9013-77 has standard (non-metric) shaft and gears.		



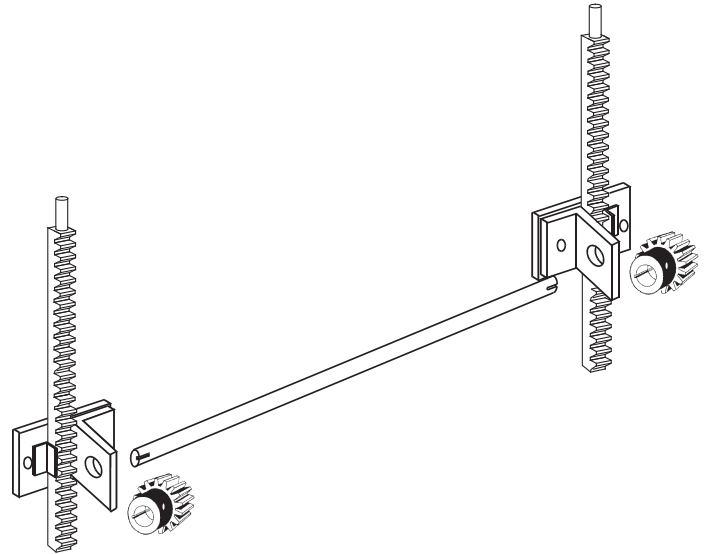
For Cochin Lifts

SVI Part #	Ref. OEM Part #	Description and Contents
BH-9112	10025N	Pinion Gear
BH-9110	A-21458	Rack Bar - 72" long
BH-9111	A-21458-84	Rack Bar - 84" long
BH-9113-40 BH-9113-57 BH-9113-85	50000-40 50000-57 50000-85	40" Plunger Center Equalizer Assy. 57" Plunger Center Equalizer Assy. 85" Plunger Center Equalizer Assy. Includes: (1) 40", 57", or 85" Equalizer Shaft (2) A-21459 Equalizer Brackets (4) Lock Collars with Set Screws (2) Keys (2) Pinion Gears
BH-9120-40 BH-9120-57 BH-9120-85	50000-40L 50000-57L 50000-85L	40" P.C. Locking Equalizer Assy. 40" P.C. Locking Equalizer Assy. 40" P.C. Locking Equalizer Assy. Includes: (1) 40", 57", or 85" Equalizer Shaft (1) A-21459 Equalizer Bracket (1) Locking Equalizer Bracket (1) BH-9120-02 Lock Assembly (1) BH-9120-01 Lock Handle (4) Lock Collars with Set Screws (2) Keys (2) Pinion Gears Rack Bars Sold Separately
For Complete Assembly with Rack Bars add "C" to P/N		



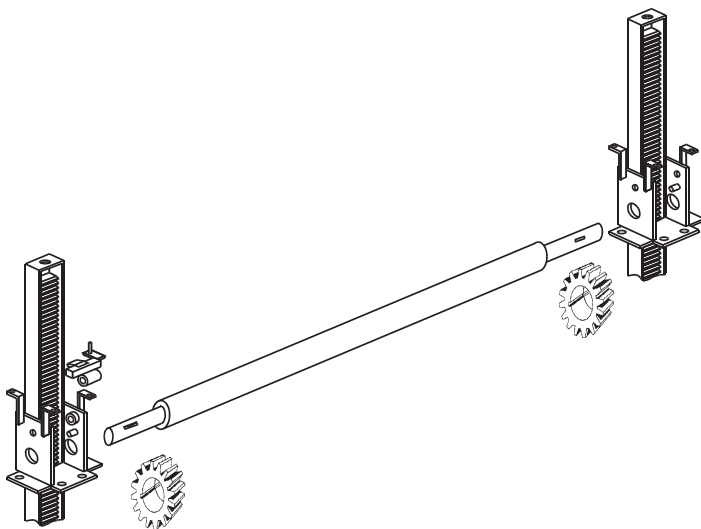
For Curtis Lifts

SVI Part #	Ref. OEM Part #	Description and Contents
BH-9211	A-15116	Pinion Gear
BH-9210	B-15096	Rack Bar with Machined End
BH-9212		Equalizer Assembly Includes: (1) BH-9212-01 Equalizer Shaft (2) BH-9212-05 Equalizer Brackets (2) Keys
Rack Bars and Gears Sold Separate		



For Gilbarco/ Manitowoc Lifts

SVI Part #	Ref. OEM Part #	Description and Contents
BH-9311	K87046	Pinion Gear
BH-9310	N19253	Rack Bar In Channel
BH-9312-40 BH-9312-57 BH-9312-89		40" Plunger Center Equalizer Assy. 57-1/2" Plunger Center Equalizer Assy. 89" Plunger Center Equalizer Assy. Includes: (1) 40", 57", or 89" Equalizer Shaft (1) BH-9314 Left Side Bracket (1) BH-9315 Right Side Bracket (2) Keys (2) Retaining Rings Rack Bars and Gears Sold Separate
BH-9312-40L BH-9312-57L BH-9312-89L		40" P.C. Locking Equalizer Assy. 57-1/2" P.C. Locking Equalizer Assy. 89" P.C. Locking Equalizer Assy. Includes: (1) BH-9313-23 Lock Latch (1) BH-9313-25 Lock Spring (1) BH-9313-24 Latch Shaft (1) BH-9313-26 Set Screw (1) BH-9313-21 Latch Handle (1) 40", 57", or 89" Equalizer Shaft (1) BH-9314 Left Side Bracket (1) BH-9315 Right Side Bracket (2) Keys (2) Retaining Rings and hardware Rack Bars and Gears Sold Separate
For Complete Assembly with Rack Bars and Gears add "C" to P/N		



Model Number	Plunger Centers
12C	40-1/2"
12E, 12N	57-1/2"
12D, 12L	89-3/4"

P.C. = Plunger Centers

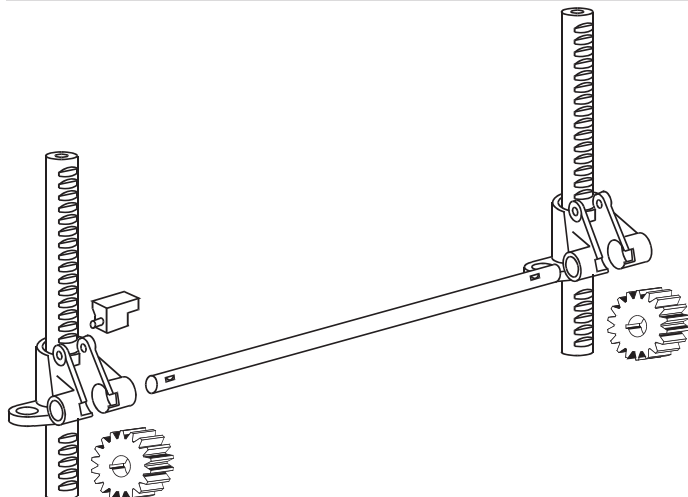


For Globe Lifts

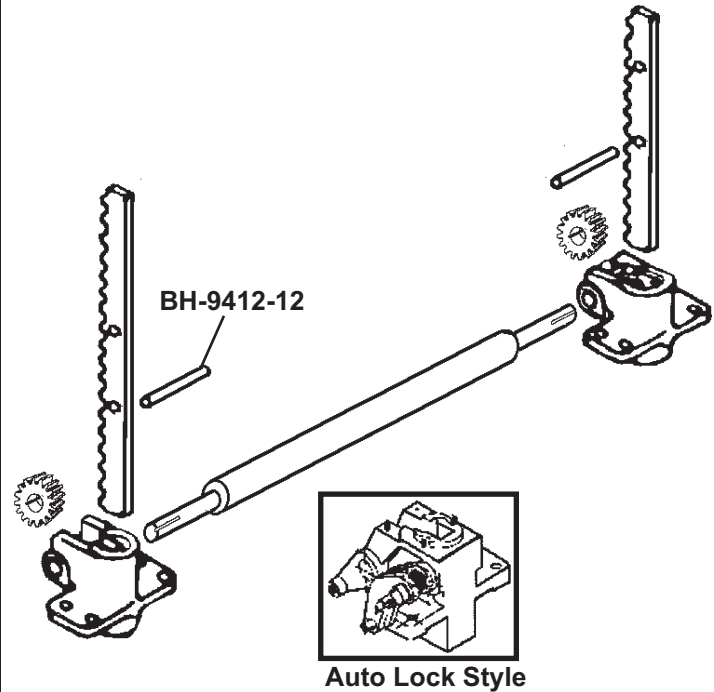
SVI Part #	Ref. OEM Part #	Description and Contents
BH-9411	B-39999	Pinion Gear
BH-9409	B-42580	Rack Bar for Auto Lock System
BH-9410	B-39818	Rack Bar for Manual Lock System
BH-9413-01K	35055x	Auto Lock Repair Kit
BH-9412-26 BH-9412-29 BH-9412-36 BH-9412-39 BH-9412-42* BH-9412-46 BH-9412-57 BH-9412-83 BH-9412-88		26-1/2" Plunger Center Equalizer Assy. 29-1/2" Plunger Center Equalizer Assy. 36" Plunger Center Equalizer Assy. 39" Plunger Center Equalizer Assy. 42" Plunger Center Equalizer Assy. 46" Plunger Center Equalizer Assy. 57-1/2" Plunger Center Equalizer Assy. 83-1/2" Plunger Center Equalizer Assy. 88" Plunger Center Equalizer Assy. Includes: (1) Shaft (2) BH-9412-01 Equalizer Brackets (2) BH-9412-12 Lock Pins and Keys <i>Rack Bars and Gears Sold Separate</i>
BH-9412-26L BH-9412-29L BH-9412-36L BH-9412-39L BH-9412-42L* BH-9412-46L BH-9412-57L BH-9412-83L BH-9412-88L		26-1/2" P.C. Locking Equalizer Assy. 29-1/2" P.C. Locking Equalizer Assy. 36" P.C. Locking Equalizer Assy. 39" P.C. Locking Equalizer Assy. 42" P.C. Locking Equalizer Assy. 46" P.C. Locking Equalizer Assy. 57-1/2" P.C. Locking Equalizer Assy. 83-1/2" P.C. Locking Equalizer Assy. 88" P.C. Locking Equalizer Assy. Includes: (1) Shaft (1) BH-9413-01L Left Lock Bracket (1) BH-9413-01R Right Lock Bracket (2) BH-9411-01 Keys <i>Rack Bars and Gears Sold Separate</i>

For Complete Assembly with Rack Bars and Gears add "C" to P/N

*Note: Only the 42" shaft is available - no other parts.



Effective March 1998
Globe Equalizer Assemblies
Include all installation
Hardware.



For Joyce Lifts

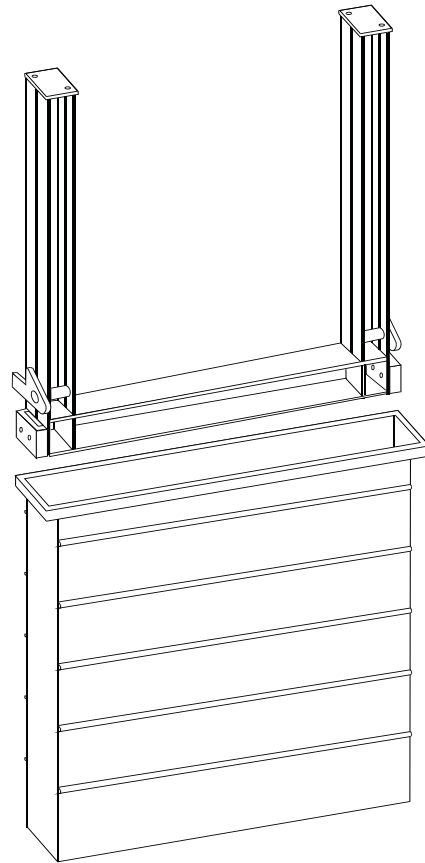
SVI Part #	Ref. OEM Part #	Description and Contents
BH-9613	18220	Pinion Gear
BH-9610	23431	Solid Round Rack Bar
BH-9515-10	23441	Safety Latch Trip
BH-9515-11	23442	Roll Pin
BH-9515-12	24755	Safety Latch Counter Weight
BH-9515-13	24756	Safety Latch Shoulder Bolt
BH-9515-40 BH-9515-48 BH-9515-57		40" Plunger Center Equalizer Assy. 48" Plunger Center Equalizer Assy. 57-1/2" Plunger Center Equalizer Assy. Includes: (1) 40", 48" or 57" Equalizer Shaft (2) BH-9515-05 Equalizer Brackets (2) BH-9515-06 Bushings (2) Keys <i>Rack Bars and Gears Sold Separate</i>

For Complete Assembly with Rack Bars and Gears add "C" to P/N

For Rotary Lifts

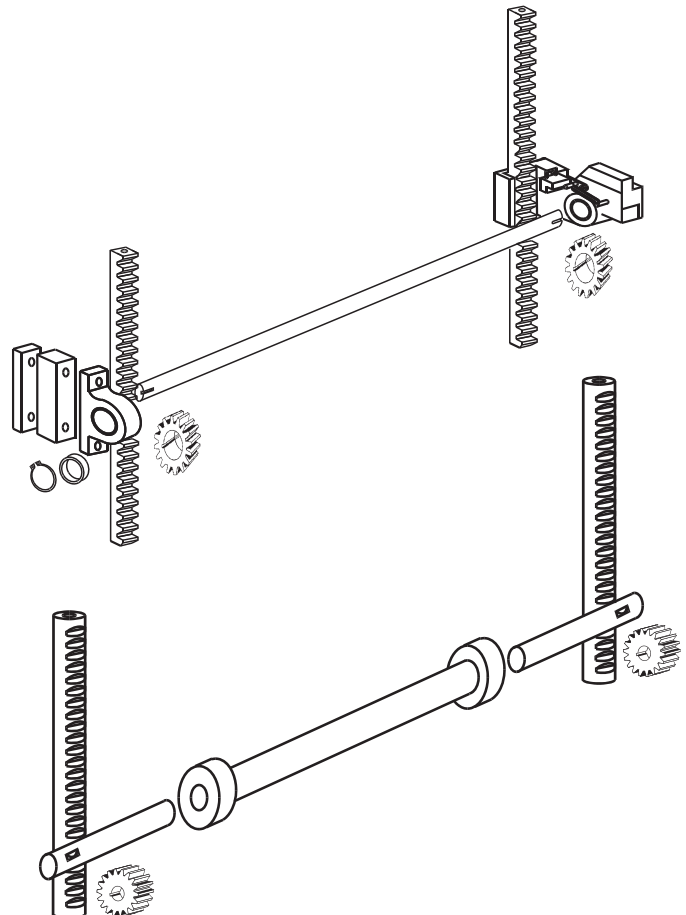
SVI Part #	Ref. OEM Part #	Description and Contents
BH-9760-01	FA279	Safety Latch Repair Kit (2 latches & pins)
BH-9760-02	FJ321-5	Slider Block
BH-9760-03	FJ37-40	Roller Assembly Kit
BH-9760-05	FJ37	Equalizer Frame
BH-9760-05R	FJ37R	Equalizer Frame with Rollers
BH-9760-06	FJ38	57-1/2" P.C. Equalizer Box for Sliders
BH-9760-06R	FJ311	57-1/2" P.C. Equalizer Box for Rollers
BH-9760-07	FJ38-11	Center Cover Plate (not pictured)

See the following two pages for Drop-In Rack and Pinion Equalizer Upgrade for DTO Lifts



For Weaver Lifts

SVI Part #	Ref. OEM Part #	Description and Contents
BH-9613	S-24522	Pinion Gear
BH-9610	S-18807	Round Rack Bar
BH-9611	S-23134	Rectangular Rack Bar
BH-9612	1080236	Square Rack Bar
BH-9614 BH-9615 BH-9616 BH-9617		57-1/2" Square Rack Equalizer Assy. 57-1/2" Rect. Rack Equalizer Assy. 40" Rectangular Rack Equalizer Assy. 89" Square Rack Equalizer Assy. Includes: (1) 57-1/2", 40" or 89" Shaft, spacers, pillow blocks, square specers, keys, cap screws, retaining rings Racks, Gears & Lock Sold Separate
BH-9614-10	KL-345	Equalizer Lock (Square Rack System)
BH-9614-10R	KL-345R	Equalizer Lock (Rect. Rack System)
BH-9618		40" Round Rack Equalizer Assy. Includes: Coupler Shaft, Gear Shafts, Clevis Pins, Cotter Pins, Woodruff Keys Racks, Gears & Lock Sold Separate
<p>For a Locking Equalizer Assy. including Lock add "L" to P/N. For a Complete Assembly including Rack Bars and Gears add "C" to P/N. For a Complete Locking Assy. including Rack Bars, Gears, and Lock add "LC" to P/N.</p>		





For Rotary: DTO28 Rack and Pinion Equalizer Kits

SVI worked carefully with a distributor to design a system to extend the service life of DTO28 lifts produced by Rotary. Problems start when floor cleaners and moisture cause the equalizer box to corrode. This results in backfill pouring through the rusted openings and interfering with the equalizer operation, thus hanging the lift up.

In the past, there were only three ways to deal with the problem. You either excavate and replace the corroded box at great cost, scoop out the backfill every so often or condemn the lift. This is over with SVI's new **Drop-In Rack and Pinion Equalizer Assembly for DTO lifts.**

Order BH-9760-09 Kit for 4" Wide Box

BH-9760-09AL Drop-In Auto Lock for Equalizer Assembly

BH-9760-10 Kit for 4-3/4" Wide Box

Installation is a breeze:

- 1) Remove the old equalizer frame.
- 2) Clean out the bottom of the box at the ends so rack guides fit to the bottom.
- 3) Assemble the new rack bar guide tubes to cross supports, drop in the opening and square up.
- 4) Assemble the pinion housing and shaft assembly, set in box and line up with the guide tubes.
- 5) Drill (20) 3/8" holes in the concrete using the pinion housing as a template and bolt housing down using the anchors supplied. **Note:** make sure rack bars mate properly with pinions and fit easily through the housing before drilling and bolting.
- 6) Install rack bars making sure each starts with the same tooth and bolt to bolster. You may need to elongate the bolt hole in the bolster with a torch so the rack movement is perpendicular to the plunger.
- 7) Show your customer how good the lift works again and accept thanks for solving the problem.

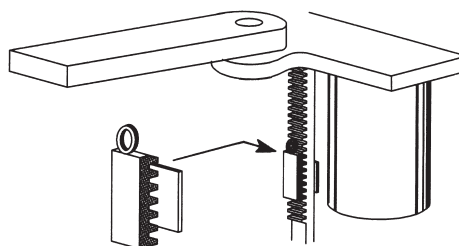
Detailed Instructions are included with each kit.
(Instruction Sheet: BH-9760-09S)

New system includes:
rack bars, pinion gears, shaft, brackets, center cover, guide tubes, manual placement locks and fasteners.



Existing Equalizer Box

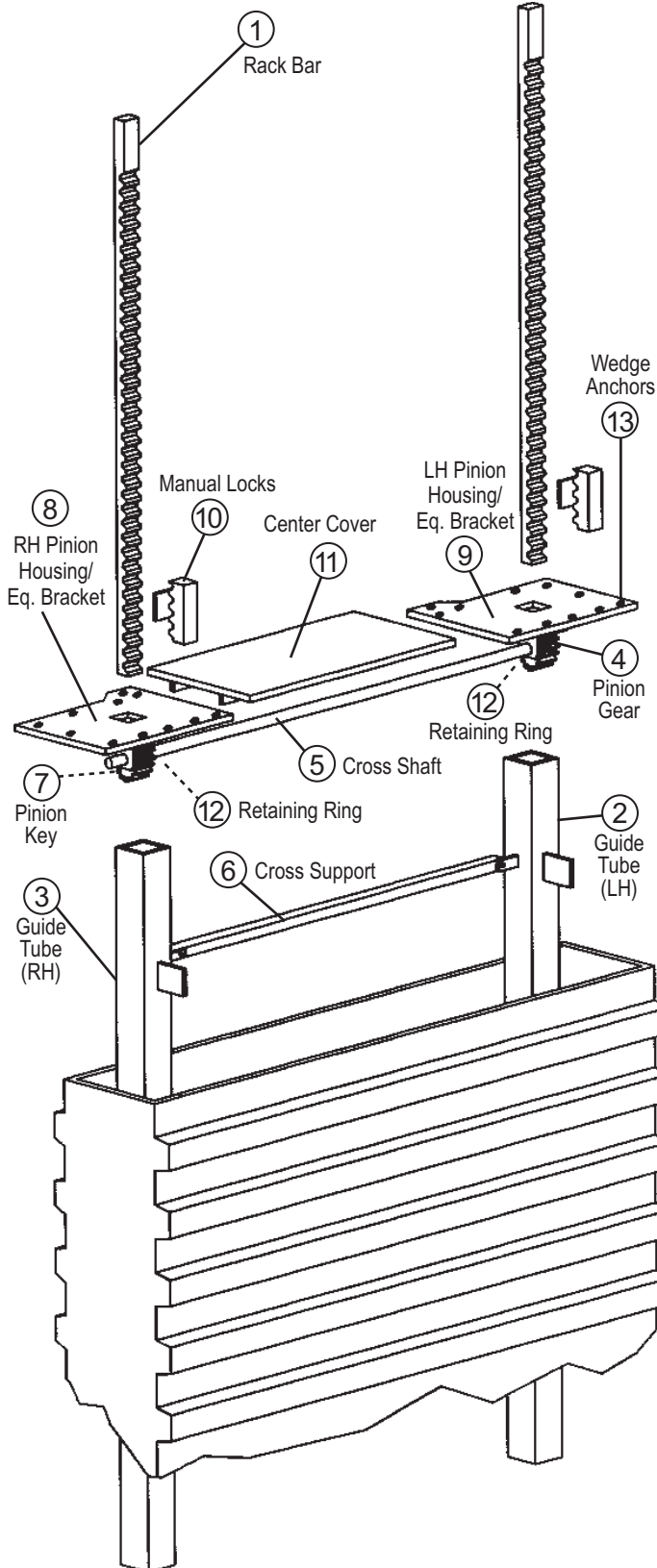
Manual Style Rack Bar Locks



Order: BH-9612ML
Fits Rack Bar:
BH-9612

Manual Rack Bar Lock For:
Side-by-Side Lifts
w/ Square Rack Bar

For Rotary: Drop In Rack and Pinion Equalizer Upgrade for DTO28 Lifts



- BH-9760-09** For 4" Wide Box
- BH-9760-10** For 4-3/4" Wide Box
- BH-9760-09AL** Auto Lock

Item	SVI Part #	Qty.	Description / (Kit Specified)
1	BH-9760-10R	2	Rack Bar
2	BH-9760-10XE	1	LH Guide Tube (BH-9760-09)
	BH-9760-10XE	1	LH Guide Tube (BH-9760-09AL)
	BH-9760-10E	1	LH Guide Tube (BH-9760-10)
3	BH-9760-10XH	1	RH Guide Tube (BH-9760-09)
	BH-9760-10XH	1	RH Guide Tube (BH-9760-09AL)
	BH-9760-10H	1	RH Guide Tube (BH-9760-10)
4	BH-9112	2	Pinion Gear
5	BH-9760-10C	1	Cross Shaft for Equalizer
6	BH-9760-10J	2	Cross Supports
7	BH-9614-06	2	Equalizer Pinion Key
8	BH-9760-10XB	1	RH Pinion Housing / Eq. Bracket
	BH-9760-10LOC	1	RH Eq. Bracket (BH-9760-09AL)
9	BH-9760-10XA	1	LH Pinion Housing / Eq. Bracket
	BH-9760-10PIA-C	1	LH Eq. Bracket with Lock (BH-9760-09AL)
10	BH-9611ML	1	Any Position Manual Locks (Pair)
11	BH-9760-10XG	1	Center Cover (BH-9760-09)
	BH-9760-10G	1	Center Cover (BH-9760-10)
12	BH-9614-05	2	Retaining Rings
13	F-WA-0375-3750	20	3/8" x 3-3/4" Wedge Anchors
14	BH-7512-90B		Shims (1/16") Pack of 20

Parts/Hardware Not Pictured:

F-HC-0375-16-1000	4	3/8"-16 x 1" Hex Head Capscrews
F-HN-0375-16	4	3/8"-16 Hex Nuts
F-HC-0500-13-2500	2	1/2"-13 x 2-1/2" Hex Head Capscrews
F-LW-0500	2	1/2" Lockwashers
BH-9620-37	1	Adpt Adjusting Handle (BH-9760-09AL)

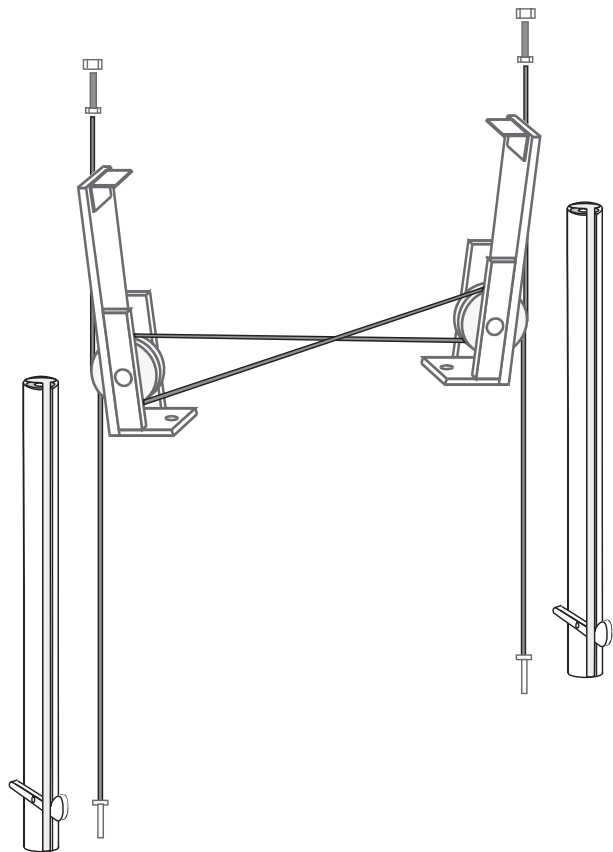




For Western Lifts

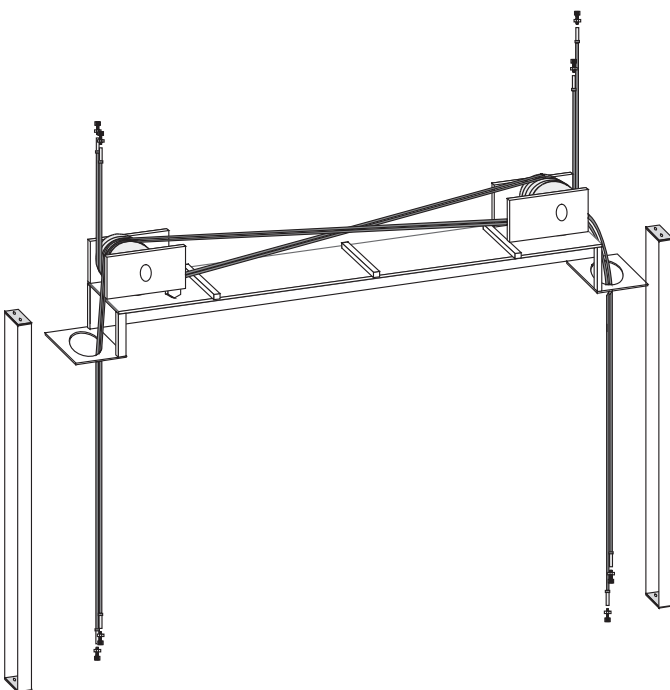
FOR TWO CABLE SYSTEMS SINCE JUNE 1985

SVI Part #	Ref. OEM Part #	Description and Contents
BH-9702-01	F-602	134" Equalizer Cable for WP-2
BH-9704-01	F-607	109" Equalizer Cable for P-2
BH-9702-02	F-617	Pulley and Axle Assembly
BH-9702-03	F-645	Pulley Bracket
BH-9701-08	U-606	Equalizer Strut with lock (round)
BH-9702-07	F-510	Pulley Box Cover for WP-2
BH-9702-08	F-515	Pulley Box Cover for P-2
BH-9702-10		Pulley and Axle Repair Kit



Note: SVI In-Ground Equalizer Cables for Western Lifts are Constructed Using Stainless Steel Wire Rope and Carbon Steel End Fittings.

FOR FOUR CABLE SYSTEMS PRIOR TO JUNE 1985



SVI Part #	Ref. OEM Part #	Description and Contents
BH-9701-01	F-600	153-1/2" Equalizer Cable for WP-2
BH-9703-01	F-605	129-1/2" Equalizer Cable for P-2
BH-9701-02	F-615	Pulley and Axle Assy. (11/83 to 6/85)
BH-9701-03	F-610	Pulley and Axle Assy. (Prior to 11/83)
BH-9701-04	F-635	Equalizer Strut with lock (rectangular)
BH-9701-15	F-500	Pulley Box Cover for WP-2, AR-2
BH-9701-16	F-520	Pulley Box Cover for P-2
BH-9701-10		Pulley and Axle Repair Kit

**TERMS AND CONDITIONS OF THE
SALES ORDER
FOR SVI INTERNATIONAL, INC.**

1. **GENERAL.** The terms and conditions of sales order outlined herein shall apply to the sale by SVI INTERNATIONAL, INC. (hereinafter referred to as "Company") of the items described on the facing page (hereinafter referred to as "Merchandise") to Purchaser.
2. **DELIVERY.** Delivery shall be deemed to be complete when the Merchandise has been shipped F.O.B. Company's plants in DeKalb, Illinois, Duarte, California; and Baltimore, Maryland ("Company's plants"). Shipments are subject to delays from causes or contingencies beyond the reasonable control of the Company. When otherwise not specified, shipments will be made in standard containers via carrier which, in the judgment of the Company, will result in the most practical method. Title and right of possession will pass to the Purchaser upon receipt by the carrier at the shipping point. If a customer of the Company should specify a specific carrier's method of shipment (i.e. UPS Next Day Air) and that carrier does not perform to the customer's expectations, freight credit to a customer's account will not be issued unless the Company can first obtain a credit.
3. **RISK OF LOSS.** Identification of the Merchandise under Uniform Commercial Code (hereinafter referred to as "UCC") Section 2-501 shall take place at the moment of shipment F.O.B. Company's plants. Risk of loss shall pass to the Purchaser when the Merchandise is shipped from the Company's plants.
4. **TITLE.** Title to the merchandise shall transfer to the Purchaser when the Merchandise is shipped from the Company's plants.
5. **WARRANTIES.** The Company guarantees its products to be free from defects in workmanship and raw materials for a period of one year from date of purchase. THIS WARRANTY IS EXPRESSLY IN LIEU OF ANY AND ALL WARRANTIES EXPRESS OR IMPLIED. COMPANY DOES NOT WARRANT THE MERCHANDISE IS MERCHANTABILITY OR FIT FOR ANY PARTICULAR PURPOSE. Company's liability for breach of the terms of this Agreement, including any warranty, is limited to either refund of the invoice price of the Merchandise or at Company's option, replacement of the Merchandise free of charge, including transportation charges but not including the cost of labor. Purchaser has not relied on any statement or upon the conduct of Company with respect to the prospective use of the merchandise. Company shall not be liable for and Purchaser waives any and all claims for any loss or damage, directly or indirectly, arising from the use of the Merchandise and for punitive, incidental or consequential damages, including, but not limited to, damages to property, for loss of use, loss of time, loss of profit or loss of income. The Company does not authorize the sale of our products under any other warranty, expressed or implied.
6. **SETOFF.** All claims for money due or to become due from the Company shall be subject to deduction by the Company for any setoff or counterclaim arising out of this or any other claims of the Company or its affiliated companies, whether such setoff or counterclaim arose before or after any assignment by Purchaser.
7. **INDEMNIFICATION.** Purchaser agrees to indemnify the Company and hold it harmless from and against all claims, liability, loss, damage or expense, including reasonable counsel fees, arising from or by reason of any modifications or alterations made by Purchaser. If a customer of the Company modifies or alters any part, in any manner whatsoever, or uses any part in departure from recommended performance specifications, said customer agrees to indemnify and hold the Company harmless from and against all liability and expenses based on damage to property or injury to or death of any person arising out of or attributable to such modified or altered part. Further, the Company will not accept any such modified or altered part for credit to a customer's account.
8. **FREIGHT POLICY.** Freight charges on individual orders less than \$3,000 in net value are prepaid and added to invoice or collect F.O.B. shipping point. Freight charges (standard ground service and continental US only) on individual orders more than \$3,000 net value are paid by the Company F.O.B. shipping point. Note: customers with C.O.D. terms are responsible for all carrier C.O.D. fees regardless of order net value.
9. **RETURN POLICY.** To return parts for credit or inspection Purchaser must first contact the Company to obtain a Return Goods Authorization number (RGA#). Once Purchaser has obtained an RGA# the parts can be returned freight prepaid only. The RGA# must be on the outside of the container in a highly visible location. All parts must be returned freight prepaid and the shipment must include a letter of explanation giving the specific reason for return including details as to the conditions under which the part or parts operated. Note: parts returned without an RGA#, freight collect or without written explanation may be refused. Parts which have been used in any way or manner, including any installation or incorporation into a lift or hoist, shall NOT be eligible for return whether or not an RGA has been assigned.
10. **RESTOCK CHARGE.** Returns are subject to up to twenty-five (25%) restocking charge. Refusals are subject to the same restocking charge plus the cost of outbound and return freight charges and/or fees incurred by the Company due to shipment refusal.
11. **PRICES AND PAYMENTS.** All prices are subject to change without notice. All prices are F.O.B. shipping point. The Company standard terms are net 30 days, C.O.D. company check, C.O.D. cash, VISA, MasterCard, Discover or American Express. However, if in the judgment of the Company, the financial condition of the Purchaser at any time does not justify shipment according to standard terms of payment, the Company may require full or partial payment in advance.
12. **INTERPRETATION.** This sales order is intended by the parties as a complete and exclusive statement of the terms of their agreement. It supersedes all prior agreements, written or oral. No course of prior dealings between the parties and no usage of the trade shall be relevant to supplement or explain any terms used in this sales order. Acceptance or acquiescence in a course of performance rendered under this purchase order shall not be relevant to determine the meaning of this sales order even though the accepting or acquiescing party has knowledge of the nature of the performance and opportunity for objection. Whenever a term defined by the UCC is used in this sales order the definition contained in the UCC shall control.
13. **MODIFICATION.** This sales order can be modified or rescinded only by a writing signed by both parties.
14. **WAIVER.** No claim or right arising out of a breach of this sales order can be discharged in whole or in part by a waiver or renunciation of the claim or right unless such waiver or renunciation is supported by consideration and is in writing signed by the aggrieved party.
15. **ASSIGNMENT.** No right or interest in this sales order shall be assigned by either party without the written consent of the other and no delegation of any obligation owed, or of the performance of any obligation by either the Company or Purchaser shall be made without the written consent of the other party. Any attempted assignment or delegation not made in conformity with this paragraph shall be wholly void and totally ineffective for all purposes.
16. **TIME TO PERFORM AND BRING ACTION.** Time is of the essence of this sales order. Any action for breach of this sales order shall be commenced within two (2) years after the cause of action has accrued. Any party who loses any litigation shall reimburse the other party for costs including reasonable attorneys fees. The exclusive jurisdiction for any legal action shall be the Circuit Court of DeKalb County, Illinois.
17. **APPLICABLE LAW.** This sales order shall be governed by the UCC of Illinois as effective and in force on the date of this sales order.