



World Leader in Lift Systems

Surface Lift Identification Guide

This guide was developed for the purpose of identifying the different vintages of full rise surface lifts manufactured by Rotary since the mid seventies.

Each model type is defined with a brief description including the distinguishing characteristics of the lift. Also included are pictographic representations of each model type which include dimensional data.

2 Post Family of Lifts

(See page 4 for column styles)

SP lifts have hose and cables running across the floor.

SPO lifts have the hoses and cables running overhead.

SPOA lifts have the hoses and cables running overhead and the columns are rotated 30° towards vehicle approach.

SP70/80, and **SPOA82** models of lifts are rubber pad type frame contact lifts.

SP70/74 series of lifts: Introduced in May 1976. Columns were style "A" using 8" wide flange "H" beam with external carriage. This model used a base frame that was anchored to the floor and the columns were bolted to the base mounting plate.

SP80/84 series of lifts: Introduced in October 1980. There were two versions of this model. The first version (SP80 thru -3 and SP84 thru -7) used a base frame that was anchored to the floor and the columns were bolted to the base mounting plate. The second version introduced in June 1982 (SP80-4 and above and SP84-8 and above), the columns were anchored directly to the floor. Both versions used column style "B" that were 3 pieces of formed "C" channel welded together with internal carriages. Early carriages used roller bearings, in July 1987 slider blocks were introduced.

Note: SP84-15, 16, and 17 cables and hydraulic lines were run through a trench cut in the floor between the columns. The cover was a flat plate.

SP94 series of lifts: Introduced in February 1985. Columns were style "B" that anchored directly to the floor. Early carriages used roller bearings, in July 1987 slider blocks were introduced.

SP55 series of lifts: Introduced in April 1985. Basically the same as SP84-8 and above with the exception of column spacing and arm design. This model was designed specifically for smaller vehicles.

SPOA84 series of lifts: Introduced in July 1985. Columns were style "B". There were 2 versions of this model. The first version includes through the -4 series. The lifts have columns that measure 103 3/4" tall. The column extensions measure 42 3/8". The second version includes -5 (December 1987) and above. These columns measure 95 3/4" tall. The column extensions measure 50 3/8".

NOTE: The overall height of the lift did not change.

On January 14, 1988 we began supplying arm restraints that were mounted to the outside of the arms for the SP/SPO/SPOA84/94 series of lifts.

SP82/88/98/O88/O98/OA82/88/OA98 series of lifts: Introduced in March 1989. First "Double S" formed columns. Column style "C". First lifts with the single point latch release.

In May 1992 enhancements were made to the 88/98 series of lifts. Introduced JIC fittings on the hoses and changed the routing of the hoses to the inside web of the "Double S" formed columns.

DCOA7(SPOA77) series of lifts: Introduced in March of 1991. Columns were formed but not "Double S" design. Full length column eliminated the need for bolt on extensions. Asymmetric design achieved through use of offset front arms rather than rotated columns.

SPO7/O9/OA7/OA82/OA9 series of lifts: Introduced in January 1993. Column style "C". First lifts with arm restraints mounted internally on the carriage end of the arm, that would automatically release when lift was fully lowered.

SPO15: Introduced in January 1993. Column style "C", measuring 17" across the back.

SPALC7 (also known as SPALC93): Introduced in January 1993. Low ceiling lift. Floor equalized and piggyback hydraulic cylinders. Column style "C".

SPO12: Introduced officially in March 1994. Column back measures 17" (inside measurement). Basically the same as the SPO15. Earlier lifts were identical, later series utilized a different carriage. (No gussets on the carriage and on the ends of the yoke). Column style "C".

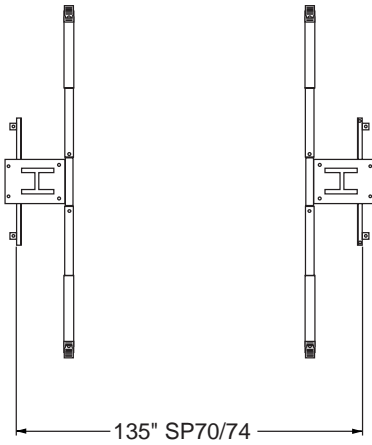
SPO9/OA7/OA82/OA9 -100 series of lifts: Introduced in April 1995. The backs of these columns were narrowed from 12" to 10" (inside measurement). **Note:** Other components were also revised at the same time due to the column redesign. Column style "C".

SPO9/OA7/OA82/OA9 -200 series of lifts: Introduced in September 1996. Many common parts between the lifts, including the Columns, Carriages, and Baseplates. First lifts with open gussets on the arms. Column style "C".

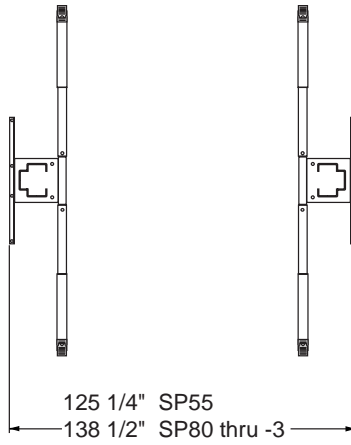
SPO18: Introduced in February 1997. Column style "C" measuring 17" across the back.

SPO12 -10 series of lifts: Introduced in March 1997. Column back measures 12" (inside measurement). Column style "C".

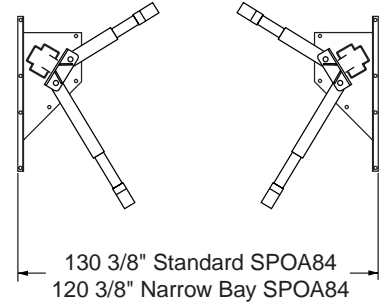
SPOA7LC: Introduced in July 1997. Low ceiling lift. Overhead equalized and piggyback hydraulic cylinders. Column style "C".



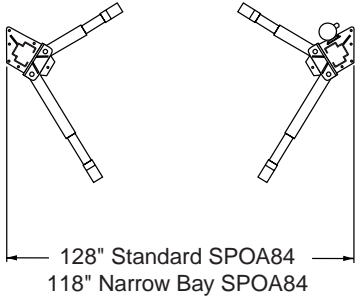
135" SP70/74



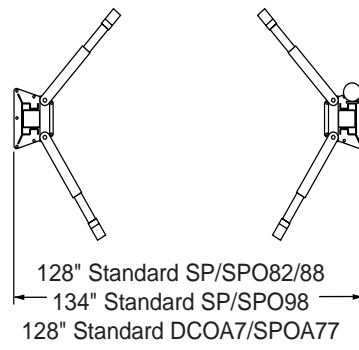
125 1/4" SP55
 138 1/2" SP80 thru -3
 SP84 thru -7
 129 1/4" SP80-4 & above
 SP84-8 & above
 129 1/4" SPO80/84
 136 1/4" SP/SPO94



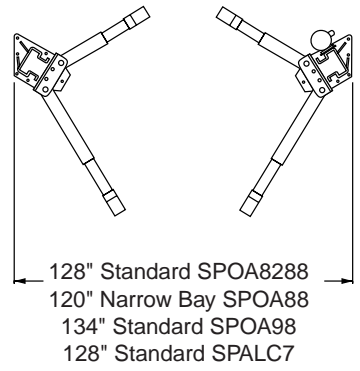
130 3/8" Standard SPOA84
 120 3/8" Narrow Bay SPOA84



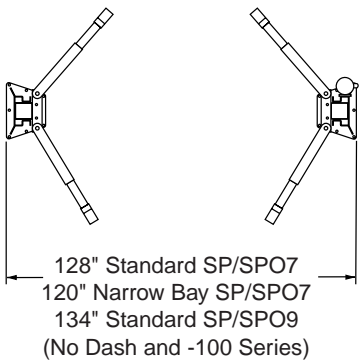
128" Standard SPOA84
 118" Narrow Bay SPOA84



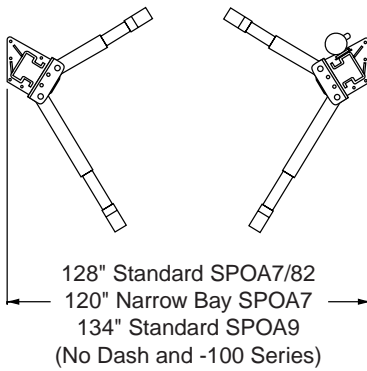
128" Standard SP/SPO82/88
 134" Standard SP/SPO98
 128" Standard DCOA7/SPOA77



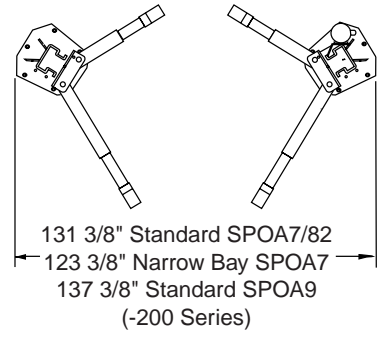
128" Standard SPOA8288
 120" Narrow Bay SPOA88
 134" Standard SPOA98
 128" Standard SPALC7



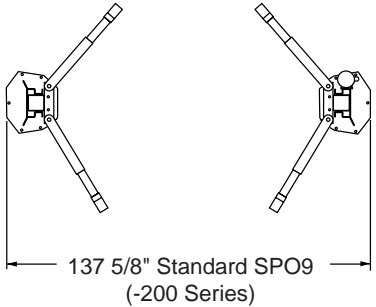
128" Standard SP/SPO7
 120" Narrow Bay SP/SPO7
 134" Standard SP/SPO9
 (No Dash and -100 Series)



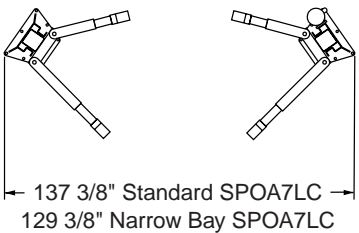
128" Standard SPOA7/82
 120" Narrow Bay SPOA7
 134" Standard SPOA9
 (No Dash and -100 Series)



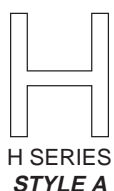
131 3/8" Standard SPOA7/82
 123 3/8" Narrow Bay SPOA7
 137 3/8" Standard SPOA9
 (-200 Series)



137 5/8" Standard SPO9
 (-200 Series)



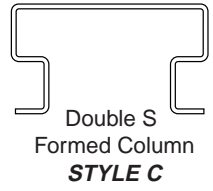
137 3/8" Standard SPOA7LC
 129 3/8" Narrow Bay SPOA7LC



H SERIES
STYLE A



84/94 SERIES
STYLE B



Double S
 Formed Column
STYLE C

4 Post Family of Lifts

(See page 6 for column styles)

AR/SM90/91/120/121 series of lifts: Columns have a “V” back forming and rolling jack track is welded to the runways. Early models had mechanical lock release. In October 1988, we began phasing in the Air Operated Lock Release. The air cylinders were mounted external to the yoke.

AR/SM90 series of lifts: Introduced in December 1982. Runways measure 14" wide. Column style “E”.

AR/SM120 series of lifts: Introduced in December 1984. Runways measure 14" wide. Column style “E”.

AR/SM91 series of lifts: Introduced in July 1989. Runways that measure 20" wide. Column style “E”.

AR/SM121 series of lifts: Introduced in July 1989. Runways that measure 20" wide. Column style “E”.

SM101: Introduced in January 1995. This is basically a SM122 lift with extended length runways to accommodate long wheelbase vehicles. 10,000 lbs. capacity. It is ideal for limousine's. Approximately first 6 months were shipped with Column style “E”, then changed to column style “F”.

AR/SM122 series of lifts: Introduced in July 1995. Columns have flat back forming, runways that measure 20" wide and rolling jack track is welded to the runways. First series of lifts to be supplied with Air Release Cylinders mounted internally to the yoke. Column style “F”.

SM180/181 series of lifts: Introduced in December 1996. Runways that are 22" wide. Column style “F”.

AR/SM122 -100 series of lifts: Introduced in March 1998. Runways measure 20" and rolling jack track is formed into the runways. Column style “F”.

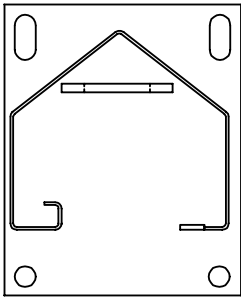
ARO122 series of lifts: Introduced in February 1998. Open yoke design. Columns are a mixture of style “F” and “G”.

SMO122 series of lifts: Introduced in December 1998. Open yoke design. Columns are a mixture of style “F” and “G”.

QL4P Series of lifts: Characteristics the same as SM121 series, with walkways, handrails, and ladder added for Quick Lube operation. Column style “E”.

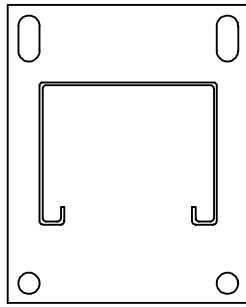
QL4P-100 Series of lifts: Characteristics the same as SM122 series, with walkways, handrails, and ladder added for Quick Lube operation. Column style “F”.

QL4P-110 Series of lifts: Characteristics the same as SM122-100 series, with walkways, handrails, and ladder added for Quick Lube operation. Column style “F”.



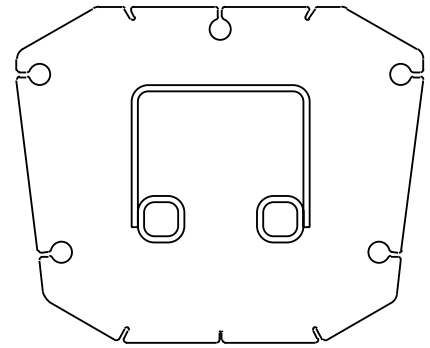
AR/SM90/91/120/121 Series of lifts: Columns have a “V” back forming.

STYLE E



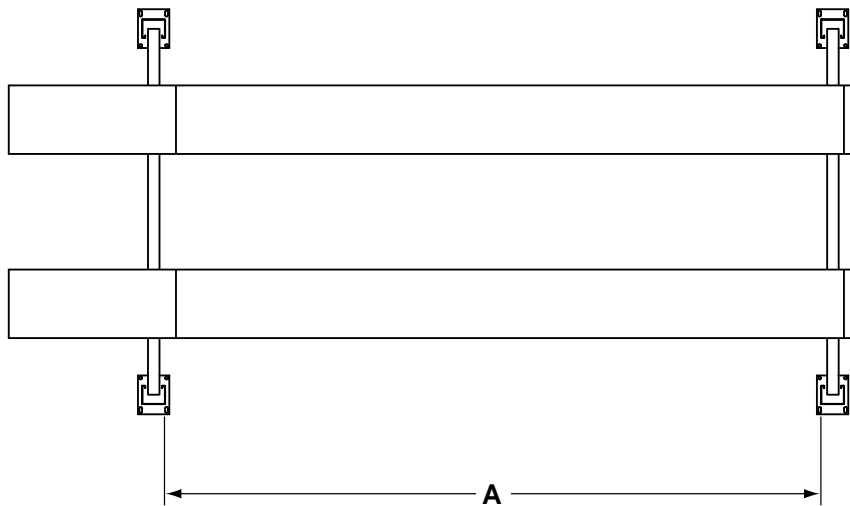
AR/SM122 Series of lifts: Columns have a flat back.

STYLE F



ARO/SMO Series of lifts

STYLE G



Model	Dimension A
AR/SM 90/91	168 5/8” from Edge of Column to Edge of Column
AR/SM 120	194 5/8” from Edge of Column to Edge of Column
AR/SM 121 S	168 5/8” from Edge of Column to Edge of Column
AR/SM 121 L	194 5/8” from Edge of Column to Edge of Column
AR/SM 121 EL2	218 5/8” from Edge of Column to Edge of Column
AR/ARO/SM/SMO 122 S	171 3/8” from Edge of Column to Edge of Column
AR/ARO/SM/SMO 122 L	196 3/8” from Edge of Column to Edge of Column
AR/ARO/SM/SMO 122 EL2	220 3/8” from Edge of Column to Edge of Column
SM 101	256 5/8” from Edge of Column to Edge of Column
SM 180	211 15/16” from Edge of Column to Edge of Column
SM 181	247 15/16” from Edge of Column to Edge of Column