

ARC H₂O



Proudly made in the USA.

Arc Rating (ATPV) = 19 cal/cm²

Arc rated hi-visibility rainwear offers protection from the elements, potential arc hazards and open flames.

The premium 10 oz/yd² FR Polyurethane (PU) moisture barrier with an FR cotton weft knit fabric offers lightweight & stretchable comfort that combines a superior arc rating along with hi-vis protection. The FR PU material is durable, flexible and will not become brittle as it ages. Arc H₂O is made in the U.S.A. and is constructed to last!

- Arc and Flame Resistance
- High Visibility Rating
- Resistant to most chemicals, acids, salts and alkalies
- Fabric will not melt, drip, ignite or breakopen
- 100% waterproof with dielectrically welded seams

Features & Benefits

30" Length Jacket: (shown)

- Batwing pattern creating freedom of movement
- Tuck away attached hood in collar
- Covered front zipper/snap closures
- Velcro tab wrist cuff adjusters
- Two front pockets with Velcro closure
- Back ventilation system with FR mesh for increased airflow
- D-Ring opening for fall protection access
- Key stress points reinforced for durable construction
- Hi-Vis reflective trim

Bib Pant: (shown)

- Quick release suspender system
- Snap fly pant front
- Velcro tab leg cuff adjusters
- Hi-Vis reflective trim

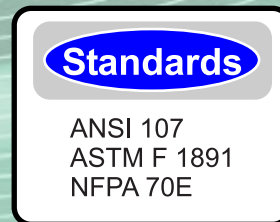
Product Codes

ANSI 107 Class 3 Level 2

- 30" Length Jacket R30RL__06 (ANSI Fluorescent Yellow)
- 30" Length Jacket R30RQ__06 (ANSI Fluorescent Orange)

ANSI 107 Class E Level 2

- Bib Pant R40RL__14 (ANSI Fluorescent Yellow)
- Bib Pant R40RQ__14 (ANSI Fluorescent Orange)





Material Data

PU / FR Cotton Weft Knit	Arc H ₂ O FL Yellow	Arc H ₂ O FL Orange
*Arc Rating ATPV	19 cal/cm ²	21.6 cal/cm ²
*EBTAS	28 cal/cm ²	31.9 cal/cm ²
*HAF	87%	89%
NFPA 70 E Level	HRC 2	HRC 2
Visibility Data Jacket/Coat	Class 3 Level 2	Class 3 Level 2
Visibility Data Bib/Waist Pant	Class E Level 2	Class E Level 2

- *(ATPV) Arc Thermal Performance Value
- *(EBTAS) Estimated Breakopen Threshold Stoll
- *(HAF) Heat Attenuation Factor

Sizing and Measurements

TABLE X1.1 Two Piece Rainsuit Measurements

Jacket—Measurements in Inches (Centimetres)			
Size	Chest Girth (C)	Sleeve Length (A)—See Note X1.1	Sleeve at Elbow Girth (E)
Small	45 (114)	32 (81)	19 (48)
Medium	49 (124)	33 (84)	19 (48)
Large	53 (135)	34 (86)	19 (48)
X-Large	57 (145)	35 (89)	20 (51)
XX-Large	60 (152)	36 (91)	20 (51)
XXX-Large	64 (163)	36 (91)	20 (51)

Trousers—Measurements in Inches (Centimetres)			
Size	Waist Girth (W)	Leg Inseam Length (I)—See Note X1.1	Knee Girth (K)
Small	42 (107)	29 (74)	21 (53)
Medium	45 (114)	30 (76)	22 (56)
Large	48 (122)	31 (78)	23 (58)
X-Large	51 (130)	31 (78)	24 (61)
XX-Large	54 (137)	32 (81)	25 (64)
XXX-Large	57 (145)	32 (81)	26 (66)

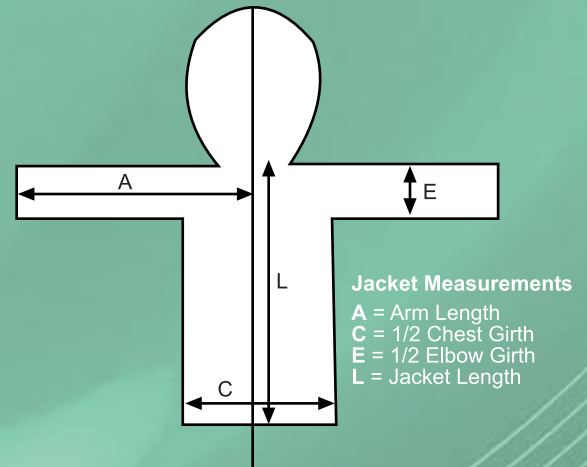


FIG. X1.1 Jacket Measurements

Sizing is per ASTM F1891 - 06 Standard

*The measurements are based on the actual size of the garment and **NOT** the actual body measurement.

