

INSTALLATION, OPERATION, AND SERVICE INSTRUCTION MANUAL



**880
CODE APPROVED
AUTOMATIC SERIES**



**Assembly
Instructions For
880 and 720**

**720
MANUAL SERIES**



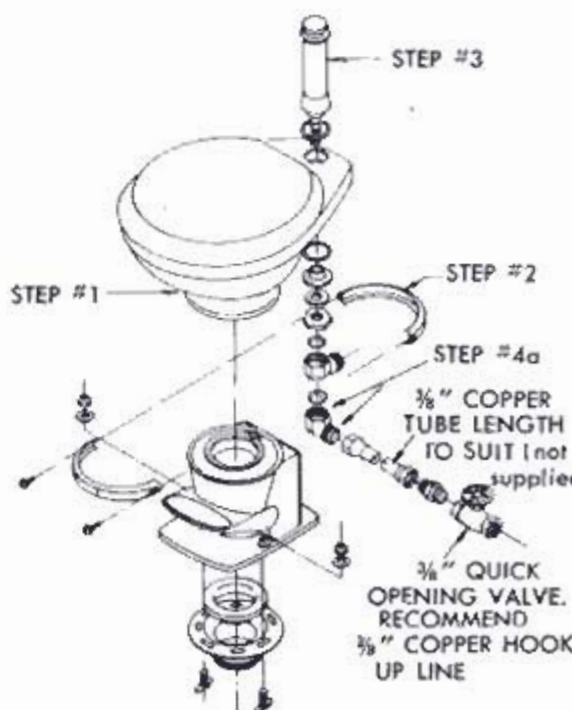
STEP 1. Center bowl on top of base; align bowl and base overflow passage way holes.

STEP 2. Slip rear "V" Band in place; slip front band in place (with SWIRL-O-MATIC logo to front). Tighten screws evenly.

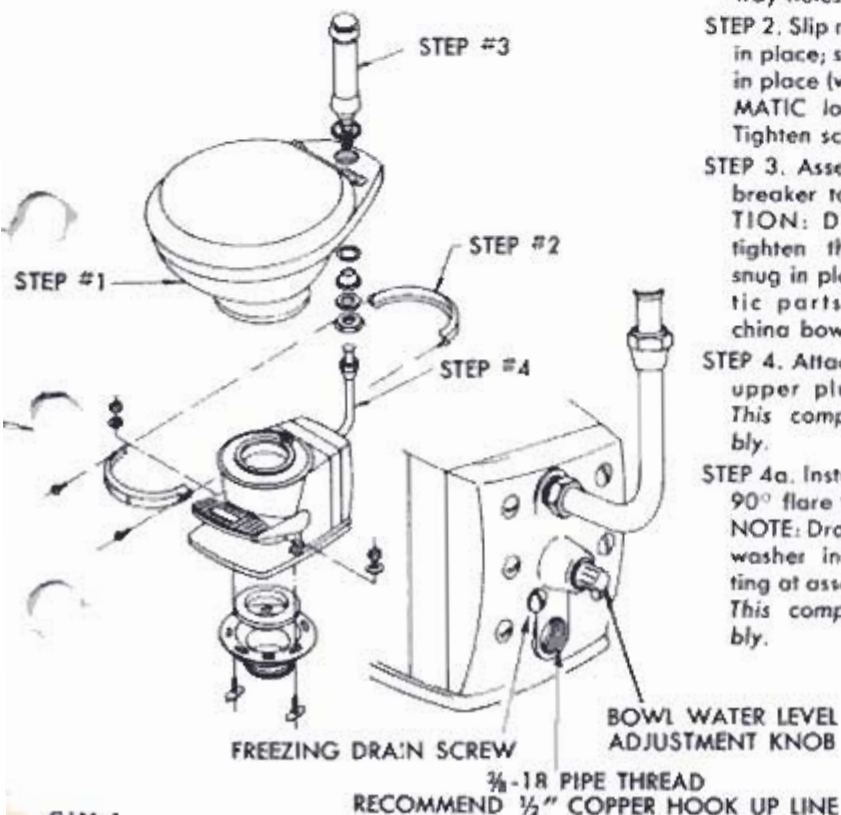
STEP 3. Assemble vacuum breaker to bowl. **CAUTION:** Do not overtighten this assembly, snug in place until plastic parts bottom on china bowl.

STEP 4. Attach 880 Series upper plumbing line. This completes assembly.

STEP 4a. Install 720 Series 90° flare tubing fitting. **NOTE:** Drop soft copper washer inside 90° fitting at assembly to seal. This completes assembly.

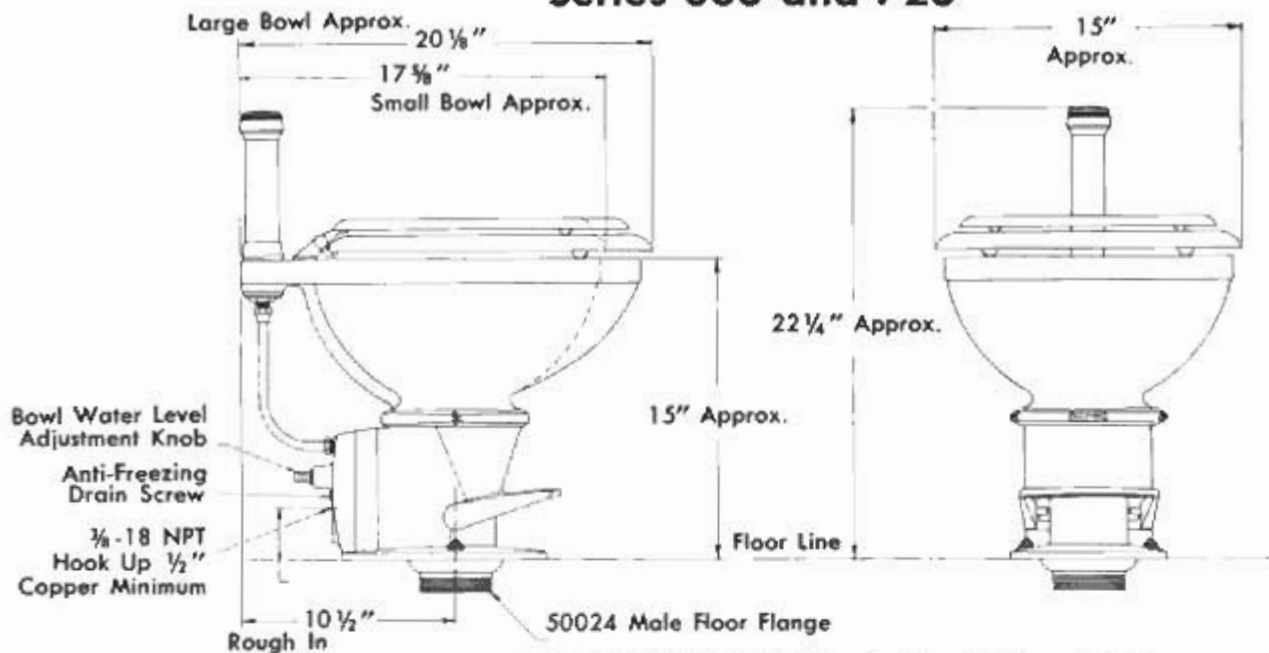


STEP 4. 720 Series comes complete with an in-the-line quick opening on-off manually operated water valve.



INSTALLATION INSTRUCTIONS

Series 880 and 720



INSTALLATION INSTRUCTIONS Series 880 and 720

Proper installation means long trouble free service. By carefully following these instructions, good installation is accomplished.

CAUTION: Do not use pipe compound or sealing material to seal water connections. Compound particles can enter the valve mechanism, causing clogging and improper operation.

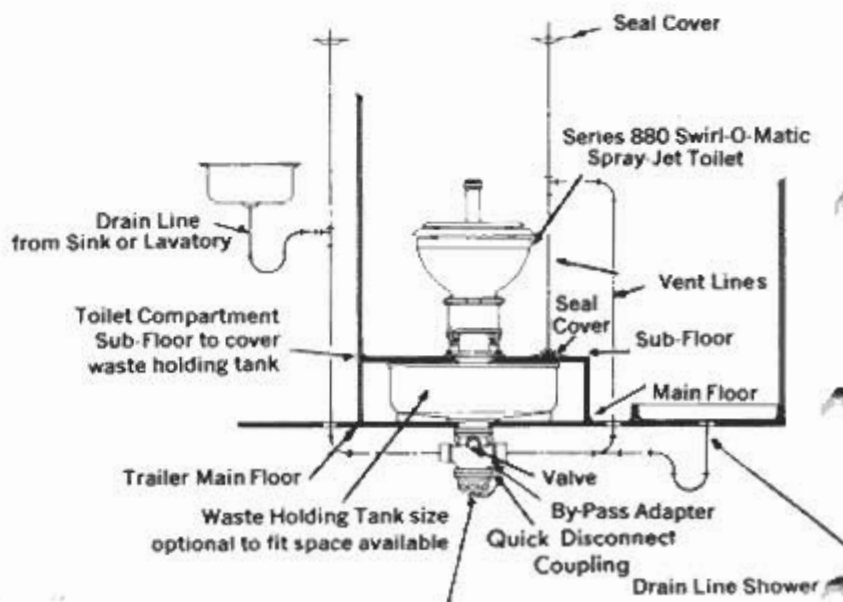
1. Screw floor flange into holding tank or plumbing until lip of flange is tight to floor surface.
2. Insert the two brass studs into flange lip, opposite each other.
3. Place assembled toilet, making sure that floor flange gasket is in place squarely on the floor flange. Using the two flat washers provided, place the two cap nuts on studs and tighten evenly.
4. Connect inlet water line to inlet opening. Start fitting threads carefully to avoid cross threading. 1 1/2 turns by wrench, after hand tightening, will seal this connection.
5. Check thoroughly for water leaks.

RECOMMENDED TANK INSTALLATION TYPICAL INSTALLATION SHOWING BY-PASS ADAPTER USE



When modernizing a trailer which has an existing toilet compartment your main concern should be proper termination selection (valve and coupling) to achieve easy installation and access for hook-up.

If you are adding a complete toilet compartment or placing the toilet and tank under a bunk, your main concern should focus on accessibility to the toilet and proper tank venting.



SANIWARE B TERMINATION WITH BY-PASS ADAPTER

The word By-Pass means that any waste water from sinks, showers, tubs, or lavatories will by pass the waste holding tank, but all drain outlets including the toilet waste will terminate at one location on the trailer to form a single common outlet for all fixtures for easy drain line hook-up.

OPERATION INSTRUCTIONS

OPERATION INSTRUCTIONS

MODEL 880

The No. 880 Code Model requires only one manual operation per flush:

1. **STEP ON PEDAL** and release slowly. Toilet flushes and bowl refills automatically with approx. 3 quarts of water.
2. If additional flush water is desired, hold pedal in full down position. This will hold refill valve open and allow additional flush water to pass.
3. To empty bowl for traveling, step on pedal lightly until stopper is half open. Bowl will empty but pedal motion will not open water-control valve.
4. When traveling with water tank full and pressurized, keep shut-off valve between toilet and tank in "off" position.
5. To prevent freezing, loosen drain screw on rear of base above inlet fitting, depress pedal & drain.
6. To adjust bowl water level, rotate knob at rear of base.



OPERATION INSTRUCTIONS

MODEL 720

The No. 720 Standard Model requires 3 separate manual operations per flush:

1. **TURN ON WATER.**
2. **STEP ON PEDAL** to flush. Release pedal slowly.
3. **TURN OFF WATER** after approximately 3 quarts of refill water has run into bowl. **IMPORTANT:** To prevent sewer gases or holding tank odors from re-entering trailer, always keep adequate water (3 quarts) in bowl between uses except when traveling.
4. To empty bowl for traveling, step on pedal and drain water from bowl.



SERVICE INSTRUCTIONS

Models 880 and 720

The Nos. 720 and 880 require no special maintenance except regular cleaning and disinfecting.

CLEANING OVERFLOW PASSAGEWAY . . . Both models are equipped with built-in bowl overflow passageway. If bowl overflows and holding tank is not full this indicates a block in overflow passageway. It may be cleaned as follows:

Insert a small piece of flexible wire through overflow hole and agitate until passageway is clear.

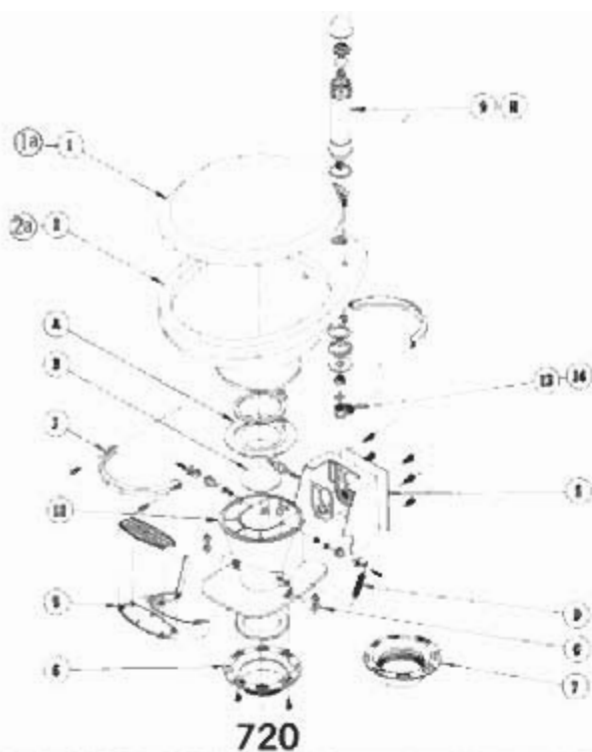
MAINTAINING BOWL SEAL WATER . . . Water must be maintained in bowl at all times to prevent sewer gases, or holding tank odors from re-entering the toilet compartment. After several years usage, it may become necessary to replace worn parts with either Kit "A" or "B" as required. See replacement parts list, Page 4.

CLEANING AND DISINFECTING SPRAY-JET . . . Mix ½ cup of any household bleach with 1 gallon of water. Then wipe all toilet components thoroughly.

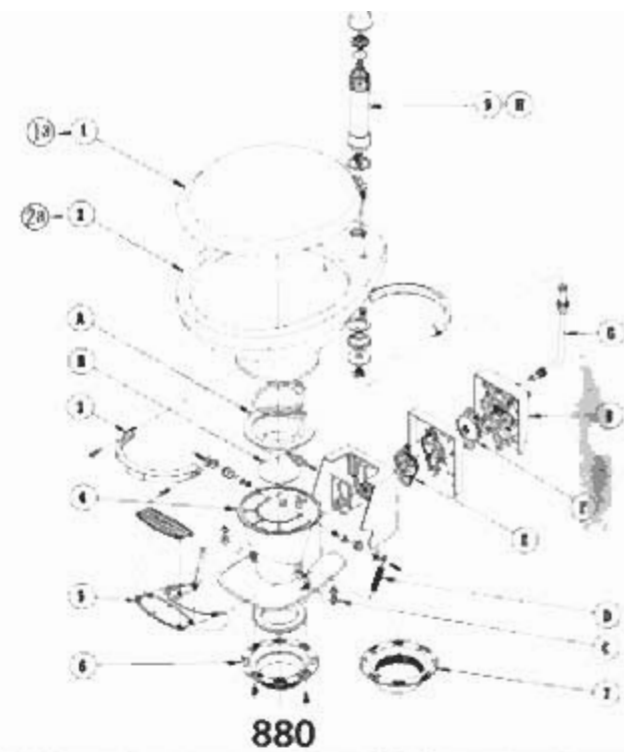
CAUTION: Do not fill toilet with full strength bleach or cleaner and leave to soak. This will damage rubber stopper and stopper seat. **FAILURE TO HEED THIS CAUTION VOIDS WARRANTY.**

OWNER INSTRUCTIONS FOR MINOR REPAIR

1. **Leakage at top of vacuum breaker:** Remove rubber cap and be sure that spring guide is in place and poppet is free to rise and fall on the guide when toilet is flushed. Sometimes a particle may lodge under the poppet causing a temporary leakage until it is dislodged. If rubber seal has failed, a new poppet and seal should be installed as shown on the instruction sheet.
2. **Bowl water leaking out:** First, be sure that the rubber stopper is clean, with no heavy scum or paper build-up. Rotate stopper slightly, then close stopper quickly with a snap action several times (with the toilet lid closed to avoid splashing), and any slight leak should seal. A light application of a silicone grease to the rubber seal will help it to seal well, and this also avoids contamination build-up.



720



880

REPLACEMENT PARTS

- (1) STANDARD SEAT
52970 - WHITE - \$8.75
52971 - YELLOW - \$9.25
52972 - CORAL - \$9.25
- (1a) SMALL SEAT
59990 - WHITE - \$8.50
- (2) STANDARD BOWL
52990 - WHITE - \$29.95
52991 - YELLOW - \$36.75
52992 - CORAL - \$36.75

- (2a) SMALL BOWL
52980 - WHITE - \$27.25
- (3) V-BAND ASSEMBLY
91020 - WHITE - \$2.85
91021 - YELLOW - \$2.85
91022 - CORAL - \$2.85
- (4) BASE ASSEMBLY COMPLETE
91880 - WHITE - \$61.50
91881 - YELLOW - \$63.50
91882 - CORAL - \$63.50

- (5) PEDAL ASSEMBLY
91030 - WHITE - \$7.00
91031 - YELLOW - \$7.00
91032 - CORAL - \$7.00
- (6) FLOOR FLANGE MALE
50024 - \$2.25
- (7) FLOOR FLANGE FEMALE
50020 - \$2.25
- (8) DIAPHRAGM VALVE ASSEMBLY
91010 - WHITE - \$25.75
91011 - YELLOW - \$26.75
91012 - CORAL - \$26.75

- (12) BASE ASSEMBLY COMPLETE
91720 - WHITE - \$39.00
91721 - YELLOW - \$39.00
91722 - CORAL - \$39.00
- (13) 90 MALE CONNECTOR 1/2 FLARE
50072 - \$1.00
- (14) 90 MALE CONNECTOR 1/2 FLARE
50069 - \$1.00

REPAIR KITS

- (A) STOPPER SEAT AND GASKET
98550 - WHITE - \$3.00
(1) 20407 (1) 20408 (1) 20409 (2) 20439
98551 - YELLOW - \$3.60
(1) 22006 (1) 20408 (1) 20409 (2) 20439
98552 - CORAL - \$3.60
(1) 22007 (1) 20408 (1) 20409 (2) 20439
- (B) STOPPER & LINKAGE KIT
98537 - \$13.50
(1) 10061 (1) 20410 (1) 20408 (2) 20053
(2) 20057 (2) 20060 (2) 10066 (2) 40141
(2) 40095 (1) 20405 (1) 10063 (1) 30032

- (C) FLOOR MOUNTING KIT
98538 - \$1.55
(1) 90028 (1) 20006 (1) 20005 (1) 20465
- (D) BUSHING & SPRING KIT
98539 - \$5.60
(2) 20053 (2) 20057 (2) 20060 (2) 10066
(2) 40141 (2) 40095 (1) 30032
- (E) CHAMBER DIAPHRAGM KIT
98536 - \$3.10
(1) 20442 (1) 30028 (1) 20012 (1) 20400
- (F) DIAPHRAGM VALVE KIT
98535 - \$4.85
(1) 20403 (1) 30033 (1) 30034 (1) 40096
(1) 30030 (1) 20423 (1) 20404 (1) 20400

- (G) PLUMBING LINE KIT
98534 - \$3.10
(1) 50052 (2) 20439
- (H) VACUUM BREAKER KIT
98529 - \$2.40
(1) 20420 (1) 20421 (1) 20419 (1) 20418
(2) 20418 (2) 20439
- (S) OVER FLOW COVER REPAIR KIT
98560 - WHITE - \$2.70
(1) 12020 (1) 20071 (1) 20400
98561 - YELLOW - \$2.70
(1) 12021 (1) 20071 (1) 20400
98562 - CORAL - \$2.70
(1) 12022 (1) 20071 (1) 20400

MODERNIZATION KITS

- BASE KITS
- (V) SERIES 600-500 & 300 BASE ASSEMBLY
NO LONGER AVAILABLE ORDER
#80 Base - WHITE - \$64.75
#81 Base - YELLOW - \$65.50
#82 Base - CORAL - \$65.50
- (W) SERIES 440-400 & 100 BASE ASSEMBLY
NO LONGER AVAILABLE ORDER
#70 Base - WHITE - \$40.50
#71 Base - YELLOW - \$40.50
#72 Base - CORAL - \$40.50

STANDARD BOWL KIT

- (X) SERIES 600-500-440-400-300 & 100
NO LONGER AVAILABLE ORDER
#90 - WHITE - \$55.25
#91 - YELLOW - \$61.85
#92 - CORAL - \$61.85
KIT INCLUDES: (1) Bowl (1) Seat (1) Vacuum Breaker Ass.
(1) Plumbing Line & Fitting
- (Y) SMALL BOWL
#50 - WHITE ONLY - \$44.50
KIT INCLUDES: (1) Bowl (1) Vacuum Breaker
(1) Plumbing Line & Fitting

*1400 Bristol
Elkhardt Ind*

for major service and replacement kit information
see your

LOCAL TRAILER SUPPLY STORE
OR AUTHORIZED SANIWARE SERVICE STATION

SaniWare

DIVISION OF MISSION-WEST MANUFACTURING COMPANY

1000 EAST 60TH STREET
LOS ANGELES 1, CALIFORNIA

ADAMS 2-4395

