

by Honeywell

Description

The Gamewell-FCI, 7200 Retrofit Kits provide a simple way to convert the existing 7200 CAB B and CAB C systems to the new state-of-the-art E3 Series® fire alarm control panel.

The Retrofit Kits offer a cost-effective solution to upgrade the FCI 7200 legacy panels without replacing the existing backbox secured on the wall. This solution eliminates the expensive cost of repairing walls, buying new cabinets or replacing the existing FCI 7200 backbox.

All retrofit kits provide backplates that mount directly into the FCI 7200 backbox. Each backplate includes mounting patterns to allow an easy installation of the E3 Series plates and sub-assemblies. A new inner door includes slots for the following components:

- LCD-E3 panel display
- Addressable switch buttons
- LED drivers
- Paging microphone
- LCD-SLP LCD touchscreen display

The black outer door completes the kit with new locks.

The FCI 7200 KDU remote annunciator plate is an add-on option for the Retrofit Kits. This retrofit option allows you to reuse the existing backbox to retrofit the FCI 7200's KDU remote annunciators to accommodate an E3 Series supported annunciator.

Retrofitting is a cost-effective way to upgrade your facilities' fire alarm control panel without swapping out smoke detectors and notification devices. Upgrading your legacy FCI 7200 System to the Gamewell-FCI, E3 Series System converts your fire alarm system, so that it is compliant with the most current UL® and NFPA codes and standards.

Installation

To retrofit from a FCI 7200 panel to an E3 Series System, refer to the following time-saving steps which can save a lot in setup and labor costs.

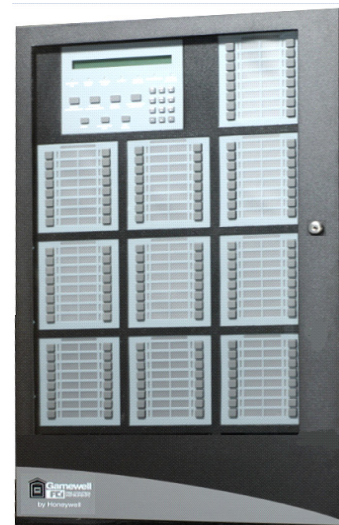
1. Remove all field wiring from the 7200 sub-assemblies that are installed inside the cabinet.

Note: GW-FCI recommends labeling all wiring that is removed for quicker terminating.

2. Unscrew the 7200 mounting plate from the backbox and remove sub-assemblies.
3. Remove the 7200 front door.
4. Install the new retrofit mounting plate for E3 Series-sub-assemblies or plates.
5. Install the new E3 Series panels and connect with the existing wiring.
6. Auto configure the system or custom program the E3 Series.

E3 Series® and System Sensor® are registered trademarks of Honeywell International Inc. UL® is a registered trademark of Underwriters' Laboratories Inc.

Retrofit Kits FCI 7200 to E3 Series®



7200-C-RETROFIT

Features

- Listed under UL® Standard 864, 9th Edition.
- Offers a cost-effective solution for upgrading an existing system without buying a complete fire alarm system.
- Upgrades to the state-of-the-art E3 Series fire alarm and mass notification system.
- Includes a simple plate system for easy installation.
- Allows the existing cabinet to remain mounted on the wall.
- Reuses the existing System Sensor® CLIP detectors/modules, and notification appliance devices.
- Provides the option of the KDU remote annunciator retrofit.

E3 Series Features

For additional information on the E3 Series features, refer to the E3 Series Data Sheet Part Number: 9020-0637.



FCI KDU Retrofit

Figure 1 illustrates the FCI KDU Retrofit model.



Figure 1 FCI KDU Retrofit

Retrofit Cabinet Installation

Figure 2 illustrates the FCI 7200 CAB-C configuration.

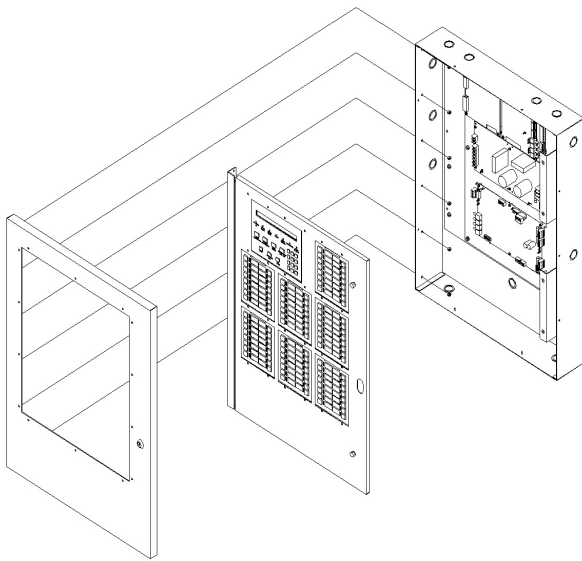


Figure 2 FCI 7200 CAB-C Configuration

Dimensions

Model	Dimensions
7200 CAB-B	28 1/2"H x 21"W x 4"D (72.39H x 53.34W x 10.16D cm)
7200 CAB-C	38"H x 21"W x 4"D (96.52H x 53.34W x 10.16D cm)
KDU	6"H x 18"W x 2 5/8"D (15.24H x 45.72W x 6.55D cm)

Ordering Information

Part Number	Description
7200-B-RETROFIT	FCI 7200 CAB-B Retrofit to E3 Series

The Retrofit Kit includes the following:

- Outer door
- Inner Door
- Backbox adapter plate for E3 plates
- Z-brackets for inner door

The backbox adapter plate supports one of the following E3 Series mounting plates (sold separately).

- E3-ILI-C
- E3-INCC-C

E3-ILI-CPLATE (Mounting Plate): Plate for E3-ILI-C E3-ILI-CPLATE Mounting Plate accommodates the following:

- Choice of two ILI loop cards
- ILI-MB-E3
- ILI-S-E3
- ILI95-MB-E3
- ILI95-S-E3

E3-INCC-CPLATE (Mounting Plate): Plate for E3 INCC-C E3-INCC-CPLATE Mounting Plate accommodates the following:

- Choice of one ILI loop cards:
- ILI-MB-E3
- ILI-S-E3
- ILI95-MB-E3
- ILI95-S-E3

Optional-Select One of the following INI-VG Series boards

- INI-VGC Command Center
- INI-VGE Bulk Voice Gateway

7200-C-RETROFIT	FCI 7200 CAB-C Retrofit to E3 Series
------------------------	--------------------------------------

The Retrofit Kit includes the following:

- Backbox adapter plate for E3 plates
- Z-brackets for inner door
- Outer Door
- Inner Door

The backbox adapter plate supports one E3-INCC-DPLATE mounting plate (sold separately).

E3-INCC-DPLATE (Mounting Plate): Plate for E3-INCC-D E3-INCC-DPLATE Mounting Plate accommodates the following:

- Choice of seven ILI loop cards:
- ILI-MB-E3
- ILI-S-E3
- ILI95-MB-E3
- ILI95-S-E3
- Optional-Select one of the following INI-VG Series boards:
- INI-VGC Command Center
- INI-VGE Bulk Voice Gateway

KDU-RETROFIT	KDU remote annunciator retrofit plate
---------------------	---------------------------------------

The retrofit kit requires purchasing:

- RAN-7100 remote annunciator

GAMEWELL-FCI