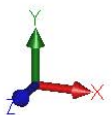
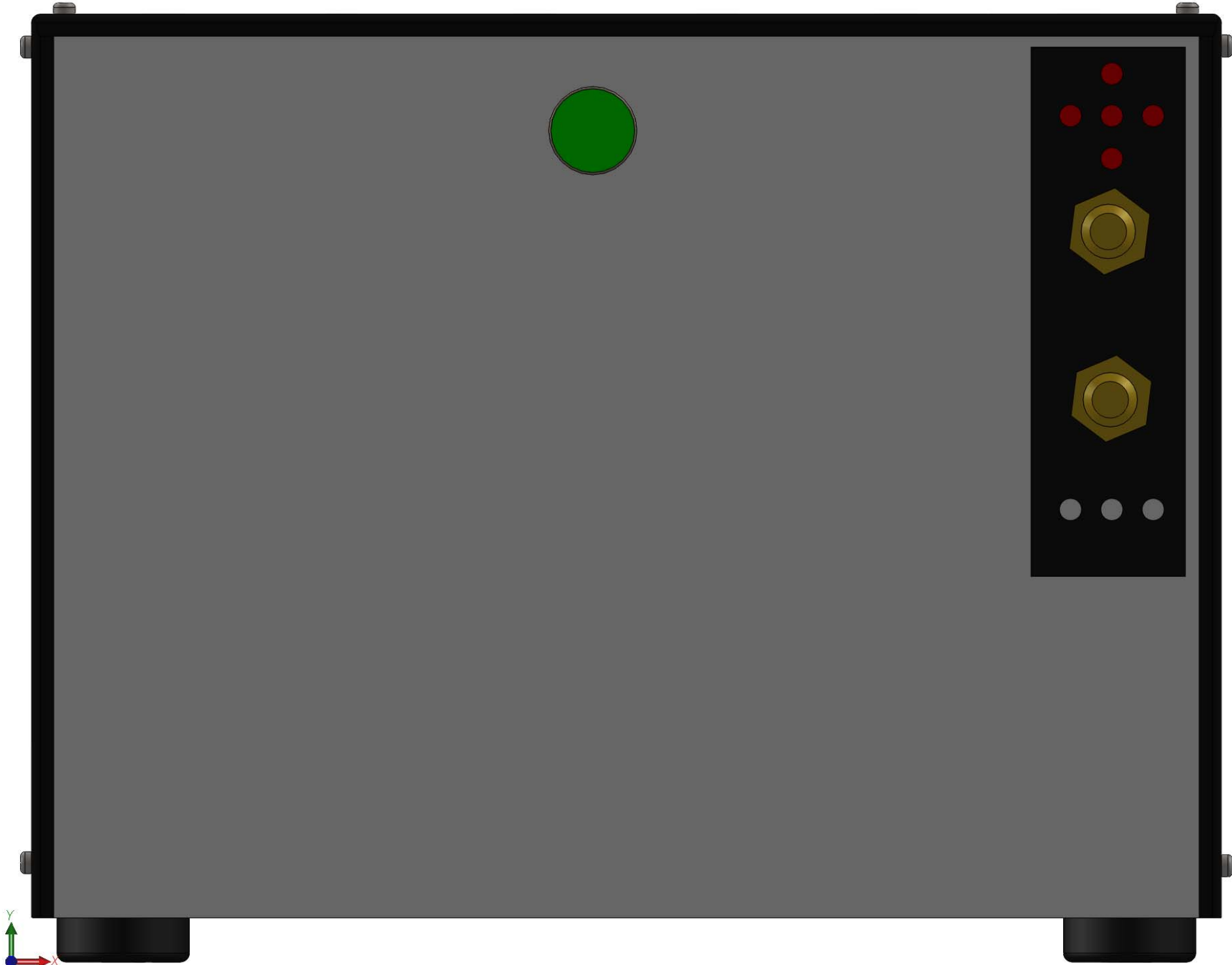


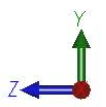
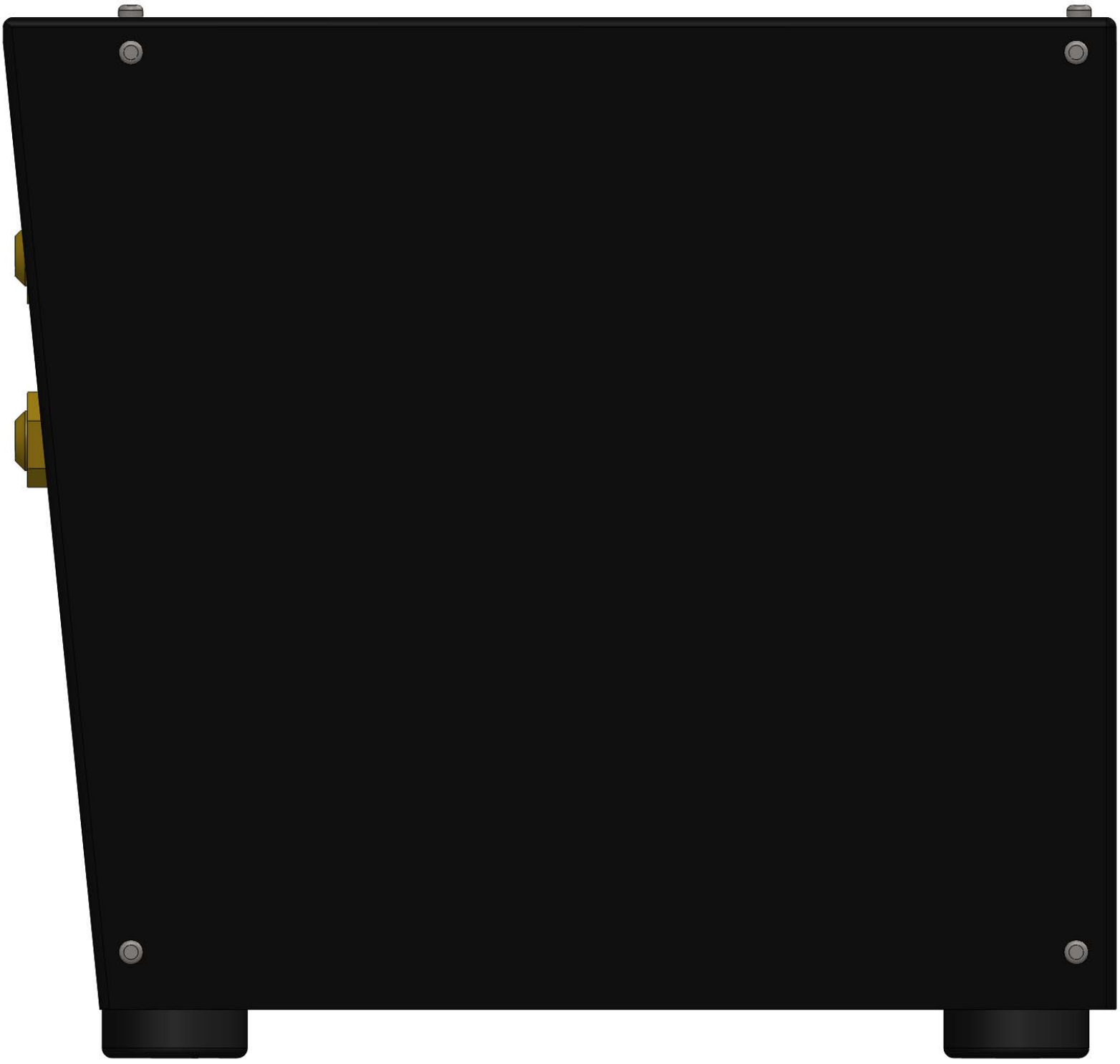
POLY #1 CABINET



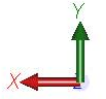
FRONT



RIGHT



BACK

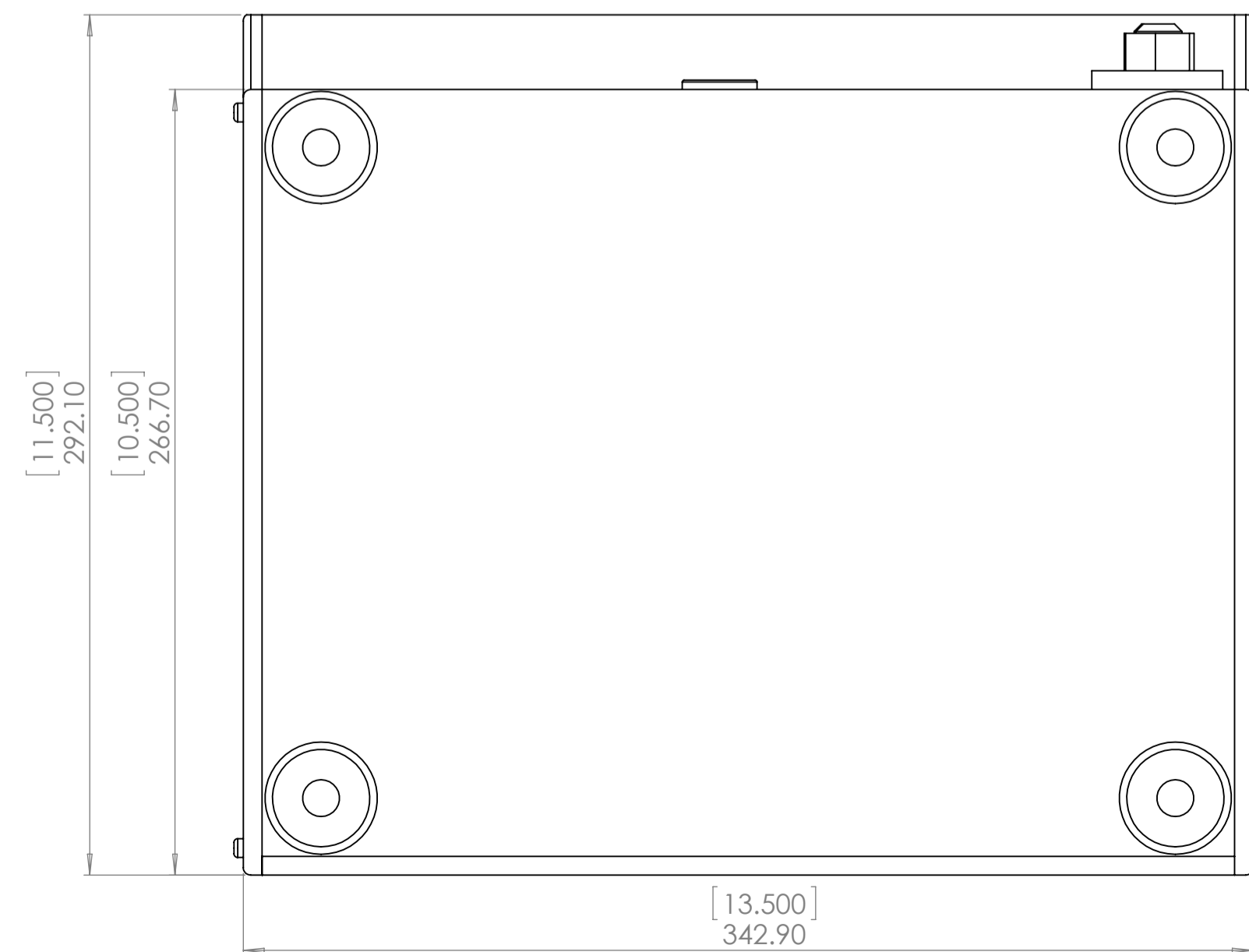
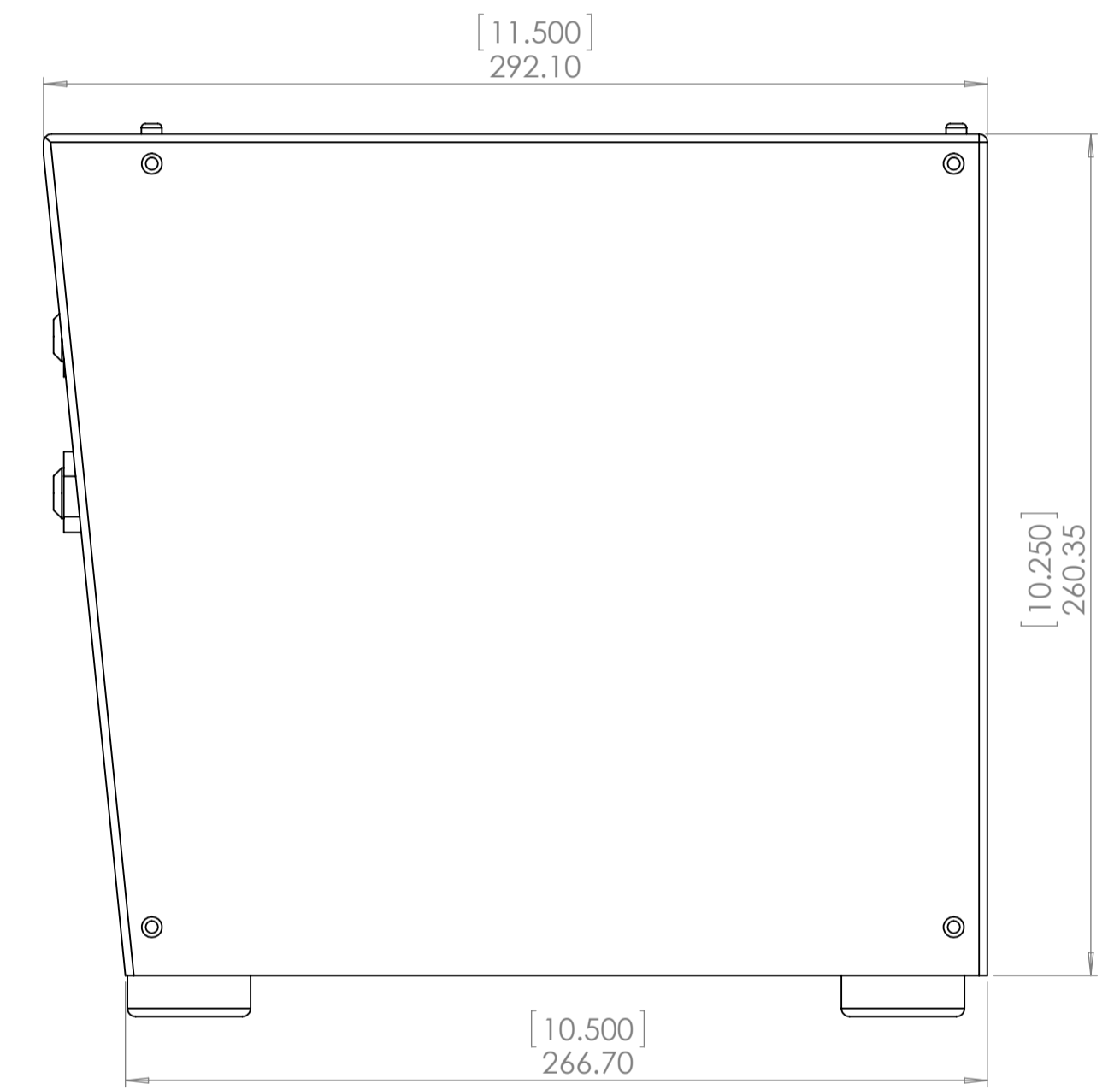
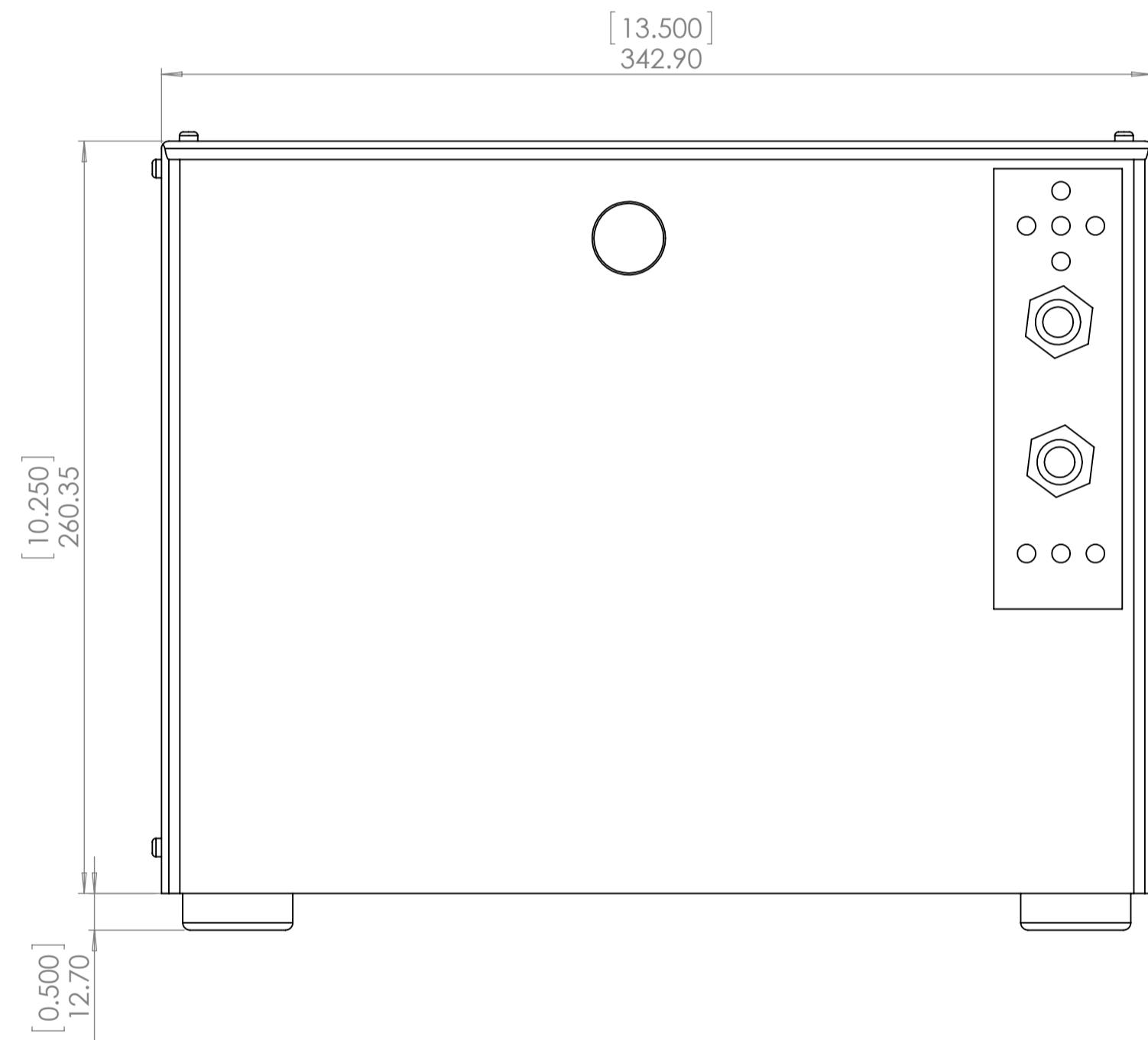
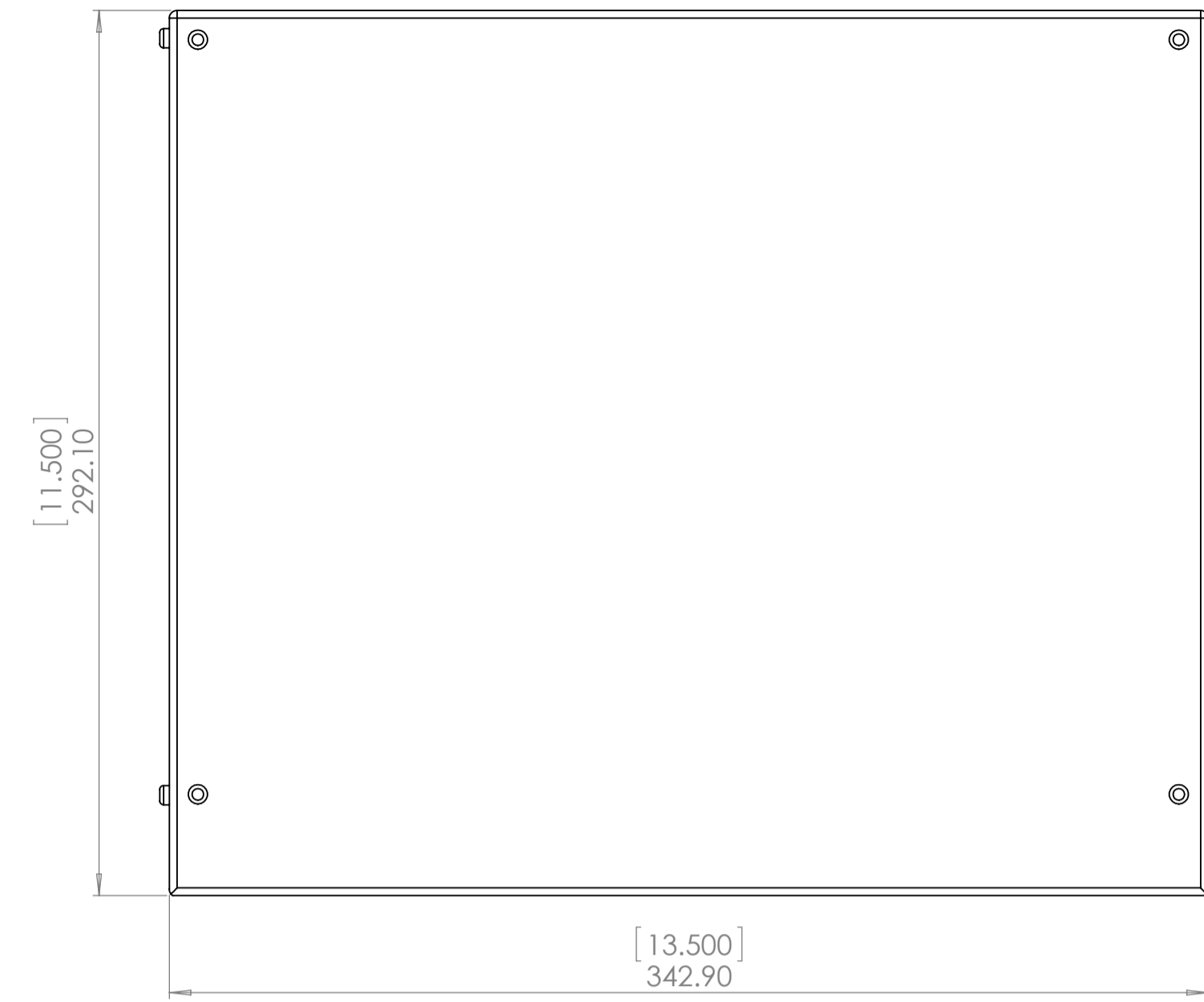
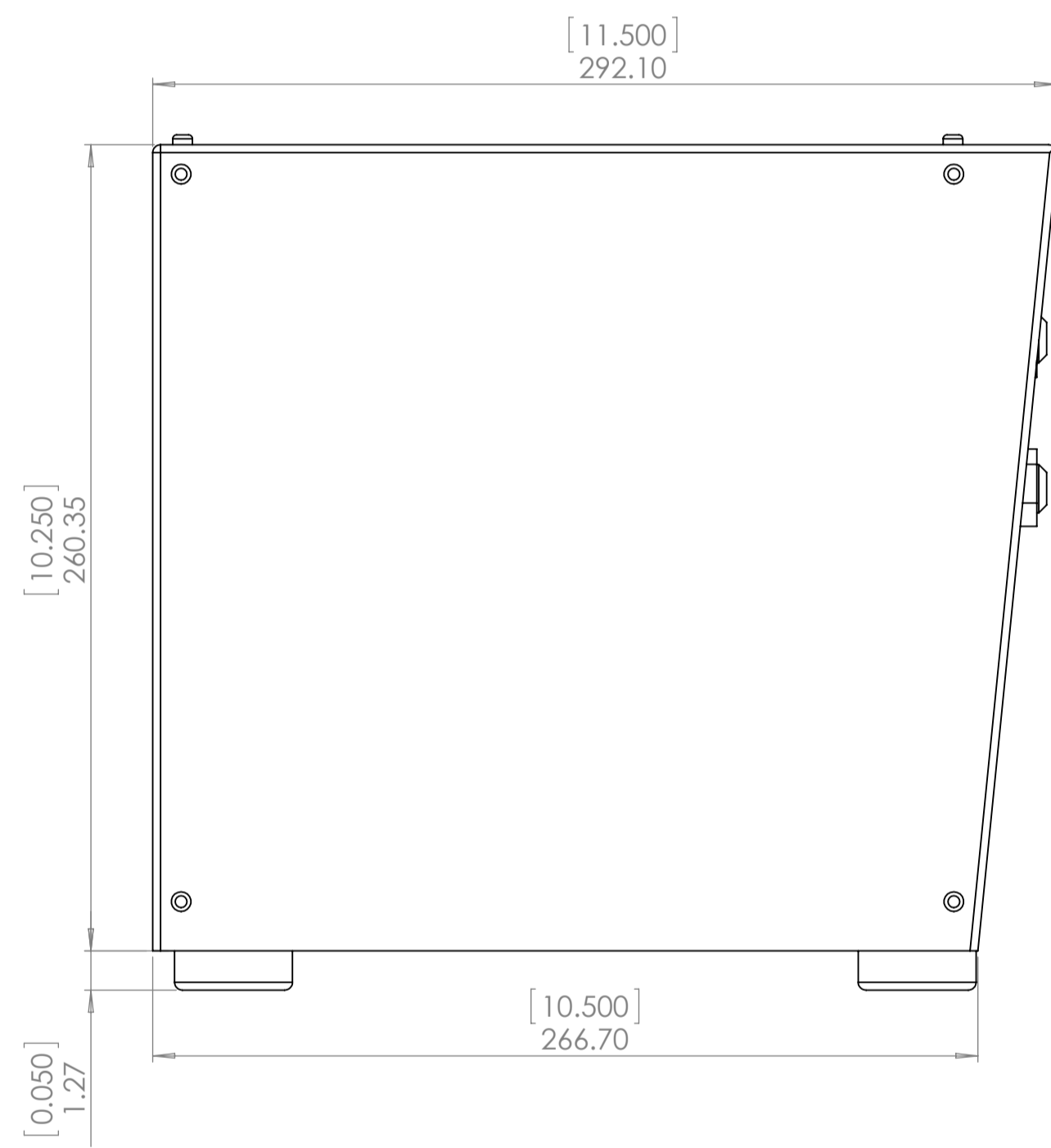


LEFT



BACK





UNLESS OTHERWISE SPECIFIED: DIMENSIONS ARE IN MILLIMETERS			FINISH:		DEBUR AND BREAK SHARP EDGES		DO NOT SCALE DRAWING		REVISION	
SURFACE FINISH:							ALDONEX, INC			
TOLERANCES:							TITLE: ENCLOSURE			
LINEAR:										
ANGULAR:										
DRAWN	SO	NAME	SIGNATURE	DATE						
CHK'D	SO			5.30.19						
APP'VD										
MPG										
Q.A.										
							MATERIAL: POLY		DWG NO. #1 CABINET	
							WEIGHT:		SCALE: 1:2	
									SHEET 1 OF 1	