

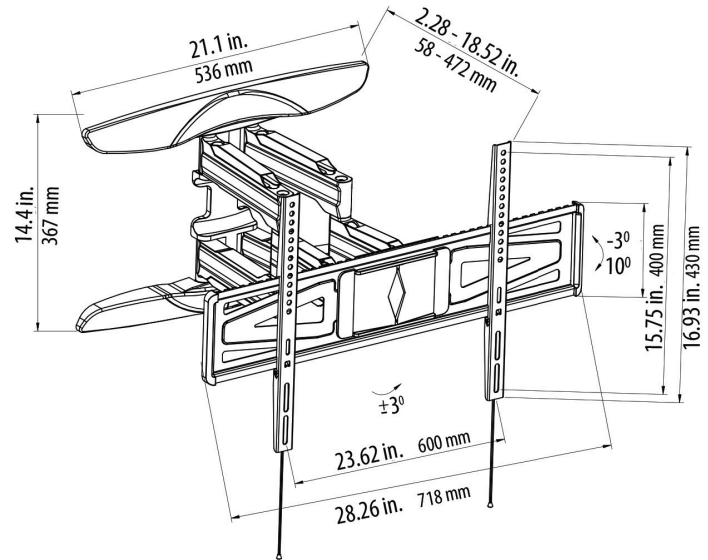
# Apollo Weatherproof Mount Selections

## Mounts available for 39- to 75-inch Apollo Enclosure Models and Outdoor TVs

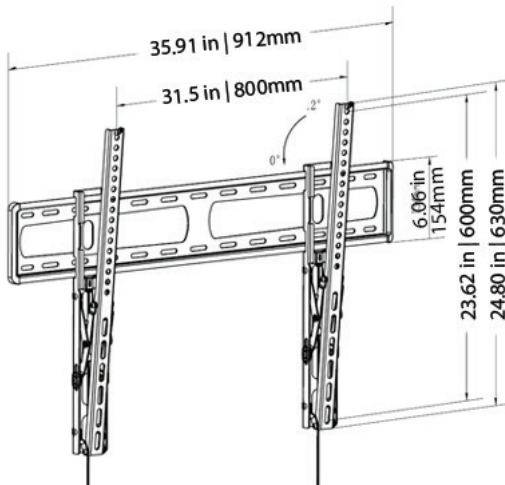
Apollo weatherproof full-motion wall mount, non-articulating wall mount, or adjustable-height ceiling mount are manufactured with weatherproof construction and stainless steel hardware.

### AWM407 Full Motion Wall Mount - 39-75" Models

Description	Weather resistant high-grade aluminum dual arm, full-motion, tilting wall mount. Black. Maximum load 155 lbs
Extension	2.3" to 18.5" (58.4 to 469.9 mm)
Tilt	Adjustable from -2° to 10°
Product Weight	23.7 lbs. (10.8 kg)
Shipping Weight	26.5 lbs. (12.0 kg)
Shipping Carton	30"H x 16.6"W x 3.7"D (762 x 421.6 x 94 mm)



OR



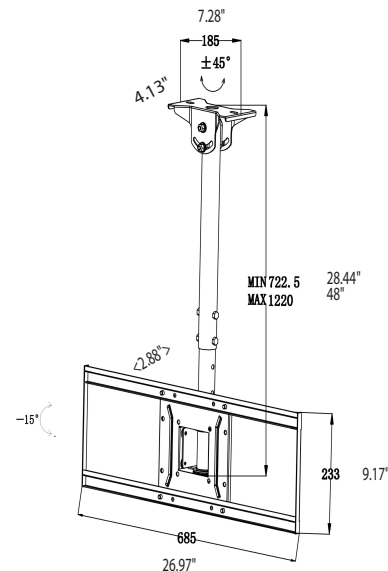
### WM607NA Non Articulating Wall Mount - 39-75" Models

Description	Weather resistant non-articulating wall mount with stainless steel hardware, Black. Maximum load 133 lbs
Tilt	Adjustable from 0° to 12°
Mount Weight	11.02 lbs. (5.0 kg)
Shipping Weight	12.13 lbs. (5.5 kg)
Shipping Carton	36.93" H x 6.61" W x 1.97" D (938.02 x 168 x 50mm)

OR

### CM708 Ceiling Mount for 39 to 65-inch Models

Description	Weather resistant adjustable height, tilting and swivel ceiling mount with adjustable ceiling plate for flat or angled ceilings. Black. Maximum load 155 lbs
Extension	28.44" - 48" (722.5 to 1220mm)
Tilt	+/-15°
Product Weight	9.65 lbs. (4.38 kg)
Shipping Weight	11.5 lbs. (5.22 kg)
Shipping Carton	32"H x 9-3/4"W x 4"D (812.8 x 247.065 x 101.6 mm)



[www.apolloenc.com](http://www.apolloenc.com) | 888.414.5919

Copyright 2018 Apollo Enclosures, All rights reserved

Rev 180402