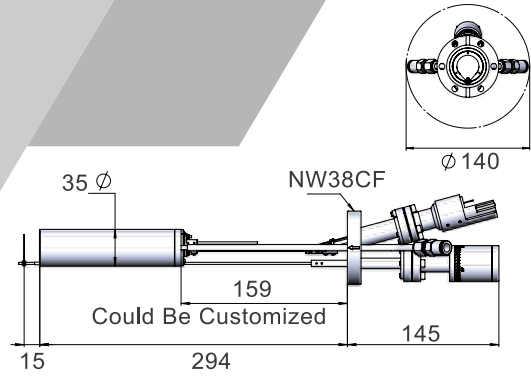
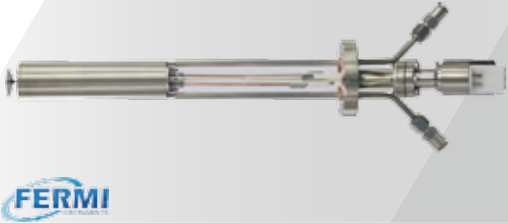


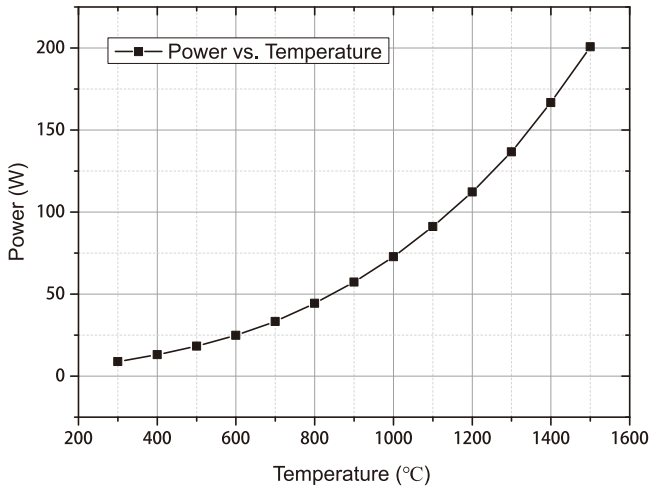
# Standard Evaporator



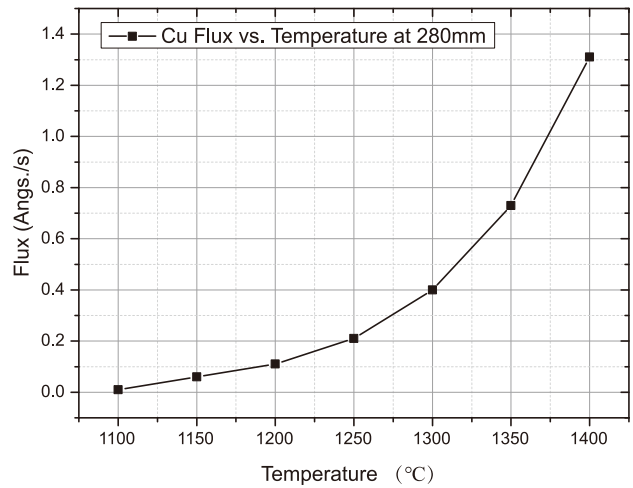
## Specification

| Mounting Flange       | Crucible Size | Working Temperature | Degas Temperature | Thermocouple | Stability | Part Number |
|-----------------------|---------------|---------------------|-------------------|--------------|-----------|-------------|
| NW38CF<br>(2.75 inch) | 10 cc         | 80~1100°C           | 1200°C            | K            | ±0.1°C    | EC38LT      |
|                       |               | 300~1400°C          | 1500°C            | C            |           | EC38MT      |

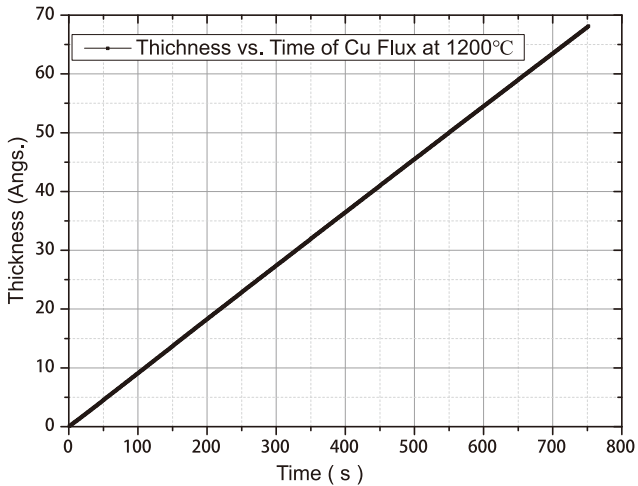
### — Testing Curve —



### — Cu Flux Test —



### — Cu Film Thickness Test —



### — Temperature Stability Test —

