

2

1

\*SHEET 3 CONTAINS REVISION HISTORY.

B

B

A

A

THIS DRAWING IS THE PROPERTY OF QMotion CORPORATION AND IS LOANED WITH THE EXPRESSED AGREEMENT THAT THE DRAWINGS AND INFORMATION THEREIN CONTAINED ARE THE PROPERTY OF QMotion AND WILL NOT BE REPRODUCED, COPIED, OR OTHERWISE DISPOSED OF, DIRECTLY OR INDIRECTLY, AND WILL NOT BE USED IN WHOLE OR IN PART TO ASSIST IN MAKING OR TO FURNISH ANY INFORMATION FOR THE MAKING OF DRAWINGS, PRINTS, OR OTHER REPRODUCTION THEREOF, OR FOR THE MAKING OF APPARATUS OR PARTS THEREOF, EXCEPT UPON WRITTEN PERMISSION OF HOMERUN HOLDINGS FIRST OBTAINED AND SPECIFIC AS TO EACH CASE. THE ACCEPTANCE OF THIS DRAWING WILL BE CONSTRUED AS AN ACCEPTANCE OF THE FOREGOING AGREEMENT.


INTERPRET DIMENSIONS AND TOLERANCES PER ASME Y14.5

UNLESS OTHERWISE SPECIFIED DIMENSIONS ARE IN INCHES TOLERANCES ARE

LINEAR .X	±.015
LINEAR .XX	±.010
LINEAR .XXX	±.005
LINEAR .XXXX	±.0005
ANGULAR	±.50°

MATERIAL

FINISH

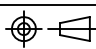
 KEY CONTROL CHARACTERISTICS

DRAWN BY

CHECKED BY

APPROVED BY

WEIGHT (lb)

ANGLE PROJECTION 

DATE

DATE

DATE

VOLUME (in³)

STATUS

PROJECT

TITLE

PART NUMBER

DRAWING NUMBER

REVISION



Qmotion Corporation  
3400 Cooper Road  
Pensacola, FL 32514  
860 208 3400

01.00

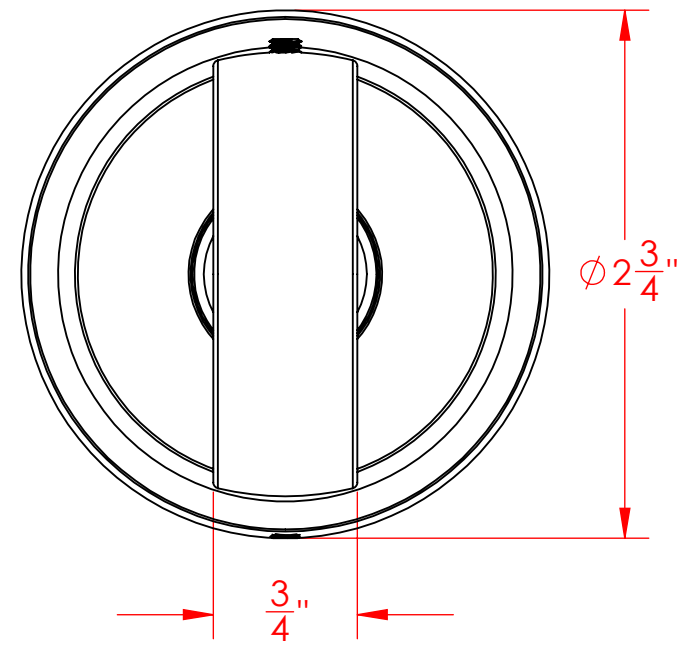
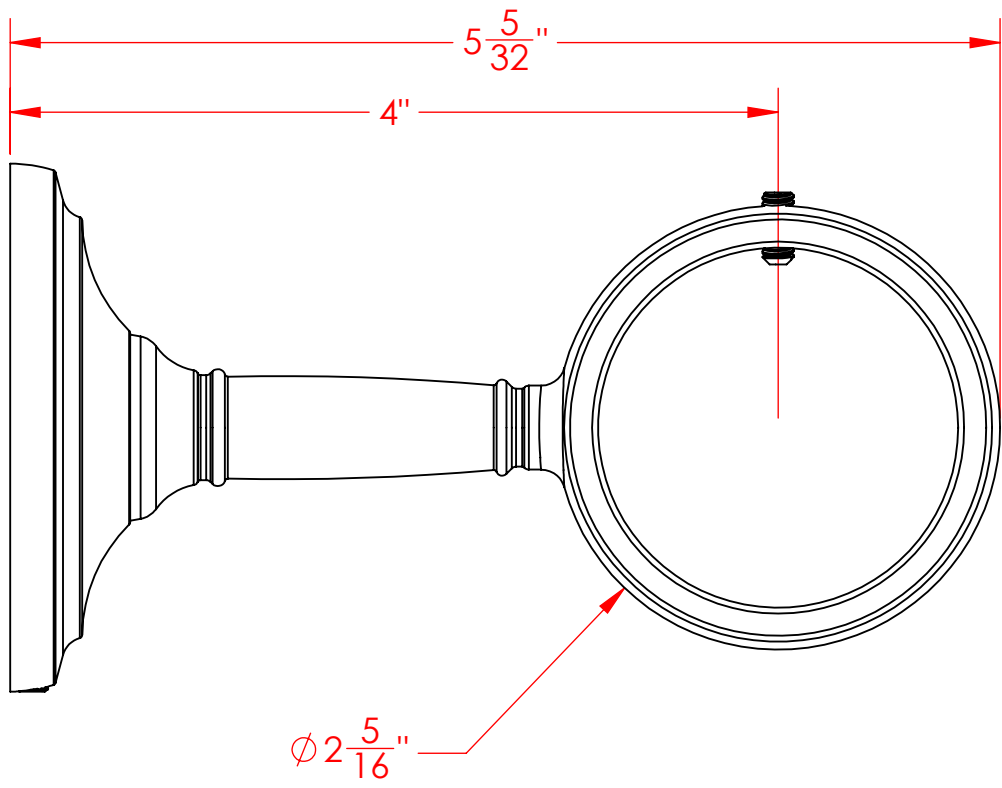
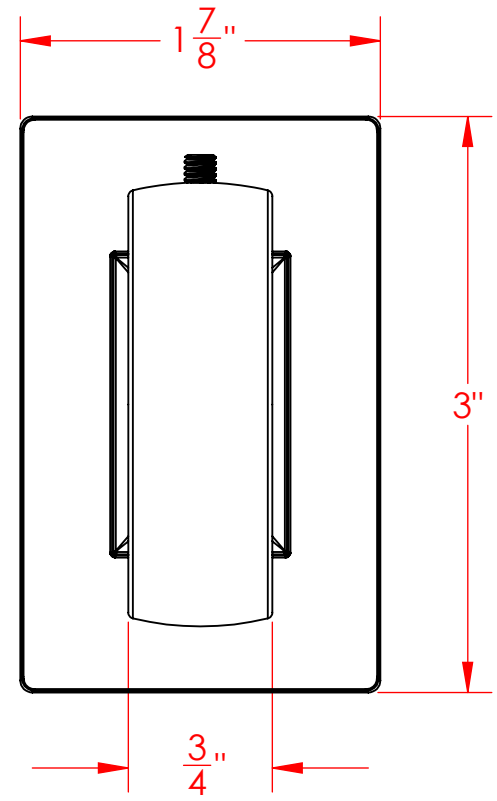
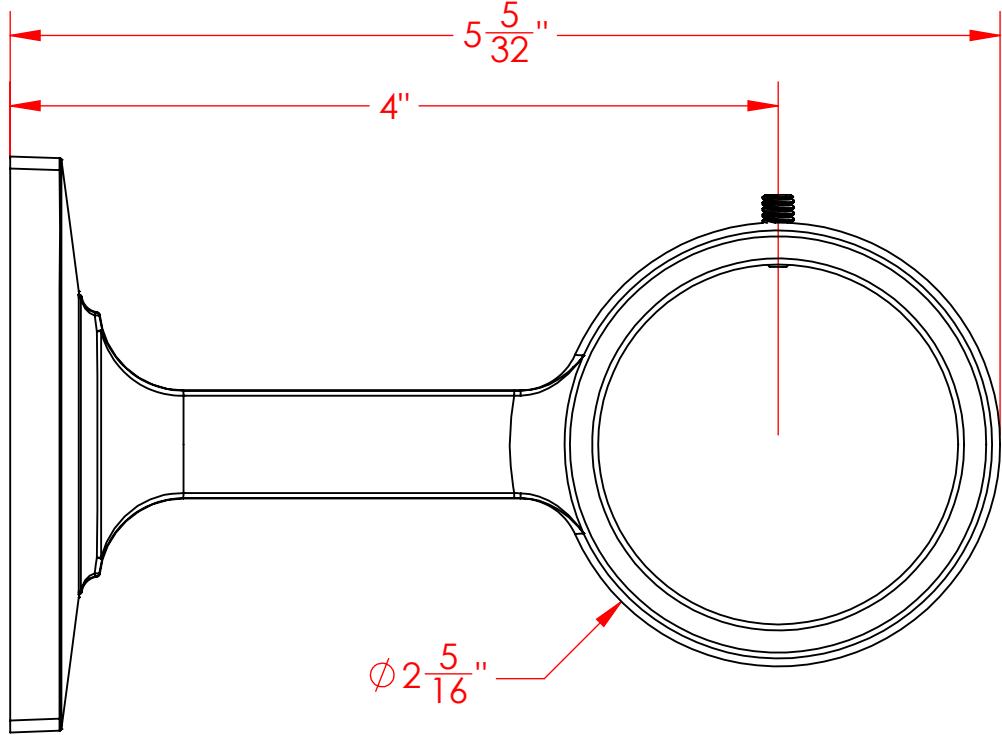
SIZE A

**DO NOT SCALE DRAWING**

SHEET 1 OF 3

2

1



2

1

### REVISIONS


REV.	DESCRIPTION	FILENAME	DATE	APPROVED

B

B

A

A

STATUS	 qmotion <sup>®</sup> advanced sharing systems		Motion Corporation 3400 Cooper Road Pensacola, FL 32514 850 208 3400	
PROJECT				
TITLE				
PART NUMBER	DRAWING NUMBER	REVISION 01.00		
SIZE A	<b>DO NOT SCALE DRAWING</b>			SHEET 3 OF 3

2

1