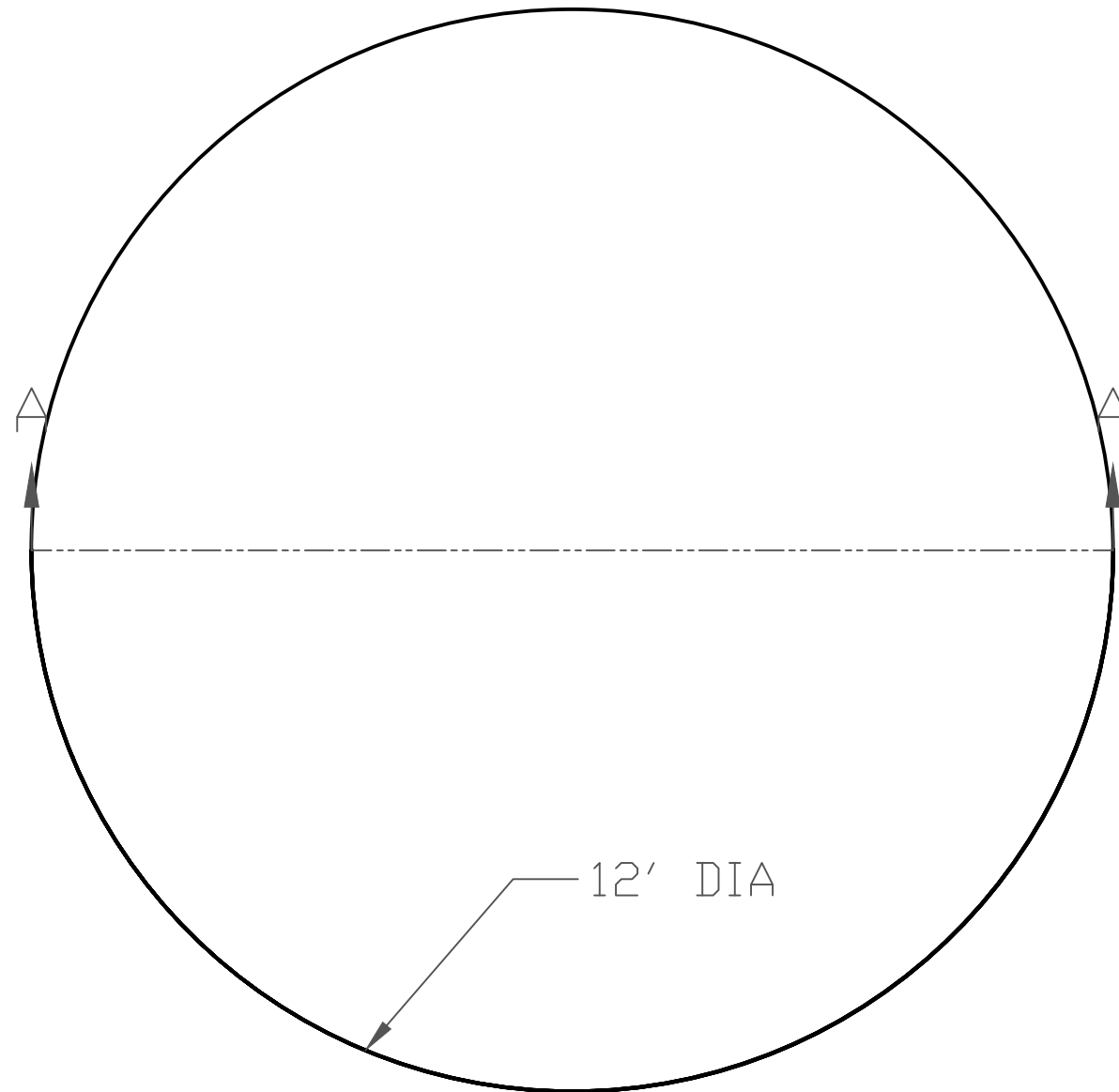


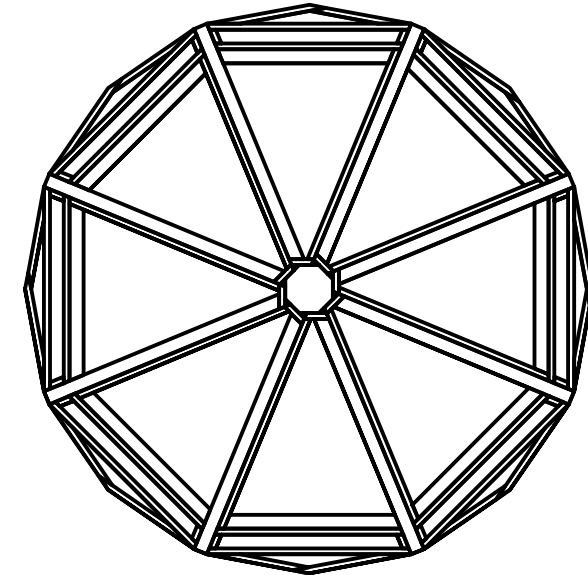
Turntable Iso- Top Removed

Turntable Overall.
Scale: 1/2" = 1'-0"
Top View

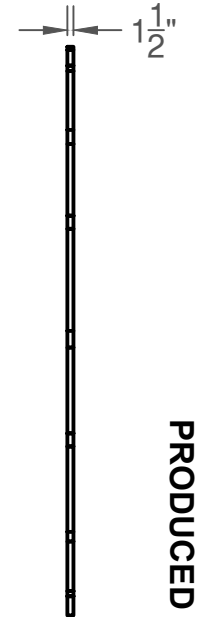


12' DIA

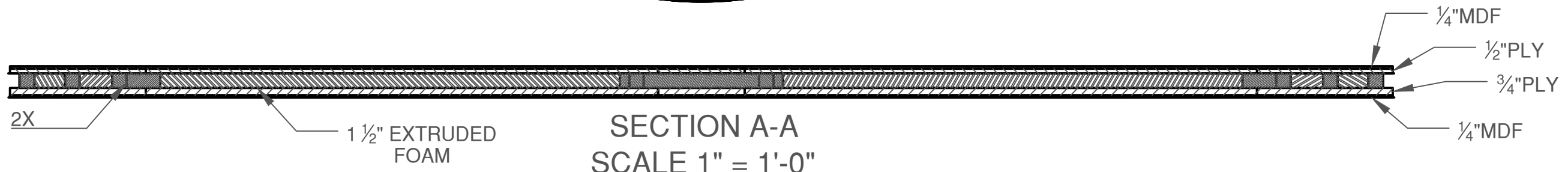
Overall Framing. Build 1 From 2x. Glue All.



Top View
Scale: 1/4" = 1'-0"



Side View
Scale: 1/4" = 1'-0"

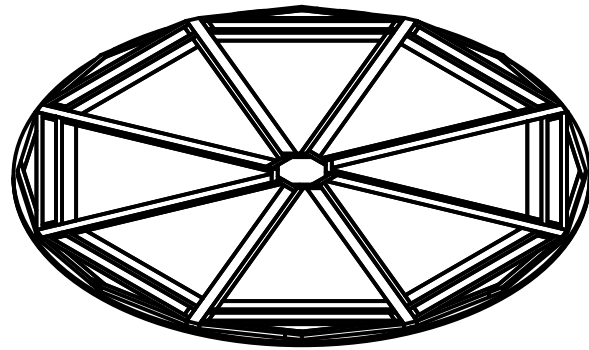


SECTION A-A
SCALE 1" = 1'-0"

PRODUCED BY AN AUTODESK EDUCATIONAL PRODUCT

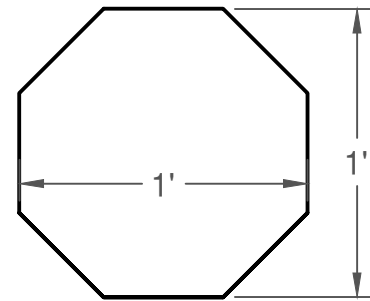
PRODUCED BY AN AUTODESK EDUCATIONAL PRODUCT

12 Ft Turntable	University of Memphis- Dept. of Theatre and Dance		T1
	Designer: Aaron Mayer	Tech Director: Aaron Mayer	
Turntable Overall	Director: --	Drafter: A. Mayer	
	DWG Date: 10/12/11	REV Date:	

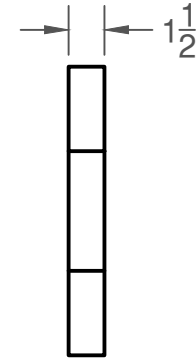


Turntable Iso- Top Removed

Center Hub.
Build 1 From 2x Glue up.
CNC Shape

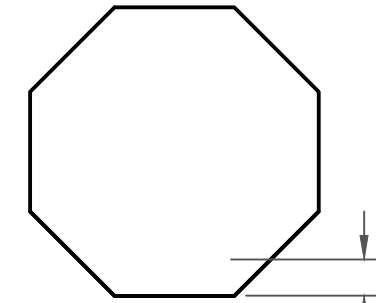


Top View
Scale: 1 1/2"=1'-0"

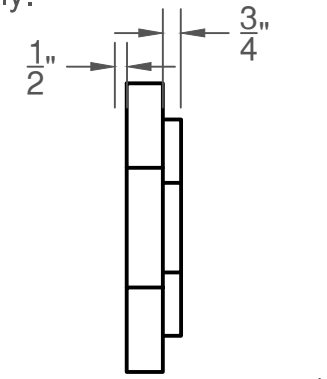


Side View
Scale: 1 1/2"=1'-0"

Center Hub Ply Skin.
Build 1 From 2x Glue up, 3/4" Ply, and 1/2" Ply.
All CNC Shapes.

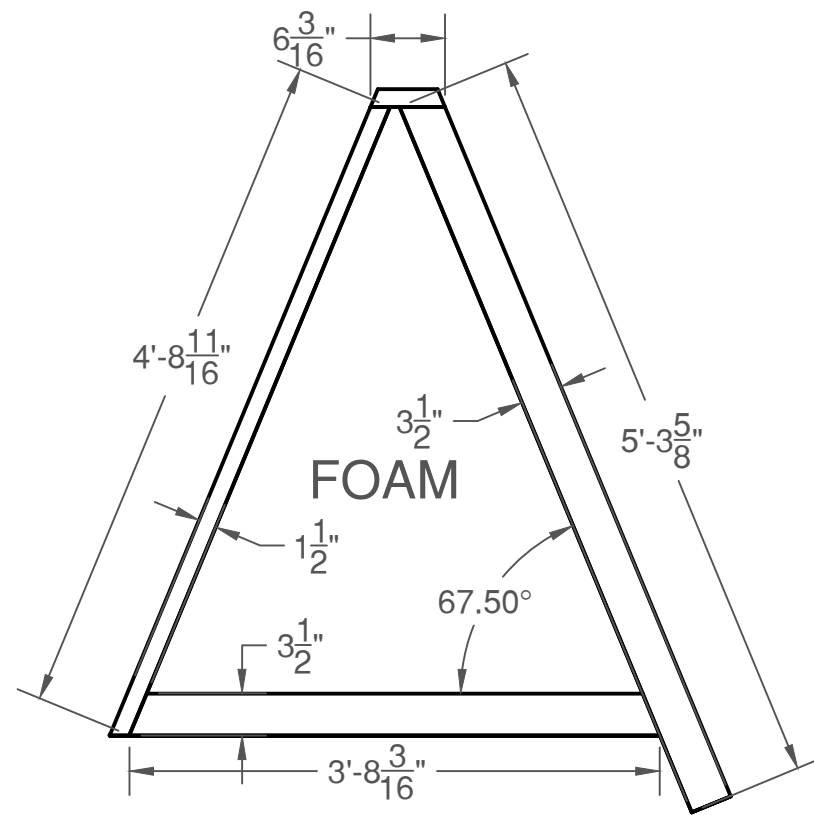


Top View
Scale: 1 1/2"=1'-0"

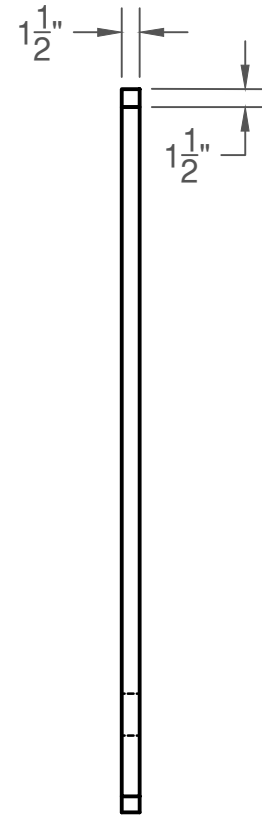


Side View
Scale: 1 1/2"=1'-0"

Wedge Framing. Build 8 From 2x & Foam.
Glue All.

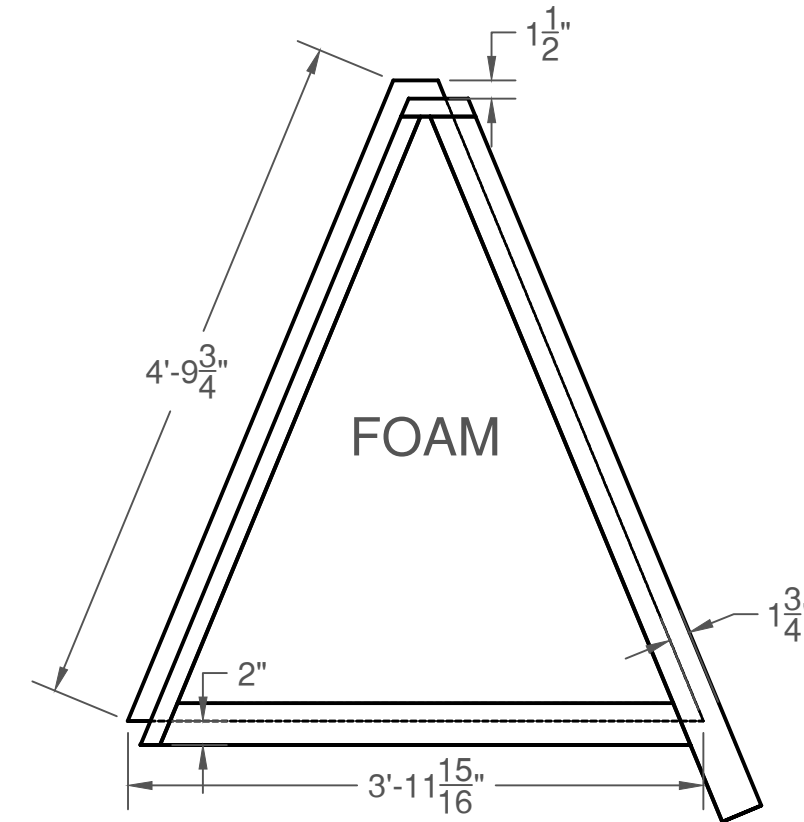


Top View- **A**-
Scale: 3/4"=1'-0"

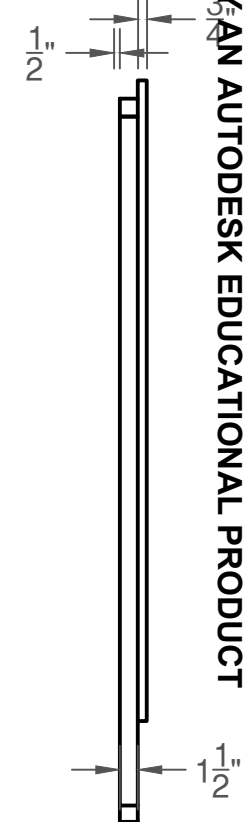


Side View
Scale: 3/4"=1'-0"

Wedge Deck. Build 8 from 2x frame, 3/4" and 1/2" Ply. Glue



Top View-
Scale: 3/4"=1'-0"



Side View
Scale: 3/4"=1'-0"

12 Ft Turntable

Turntable Stage 1 and 2

University of Memphis- Dept. of Theatre and Dance

Designer: Aaron Mayer

Tech Director: Aaron Mayer

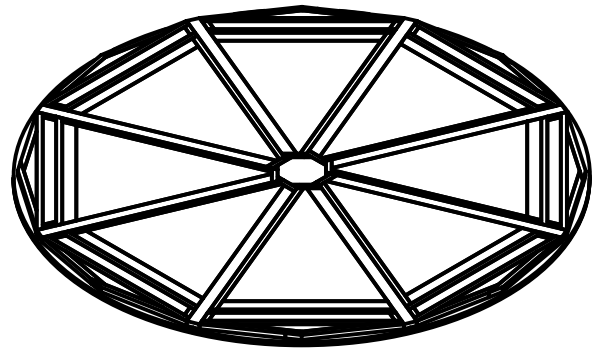
Director: --

Drafter: A. Mayer

DWG Date: 10/12/11 REV Date:

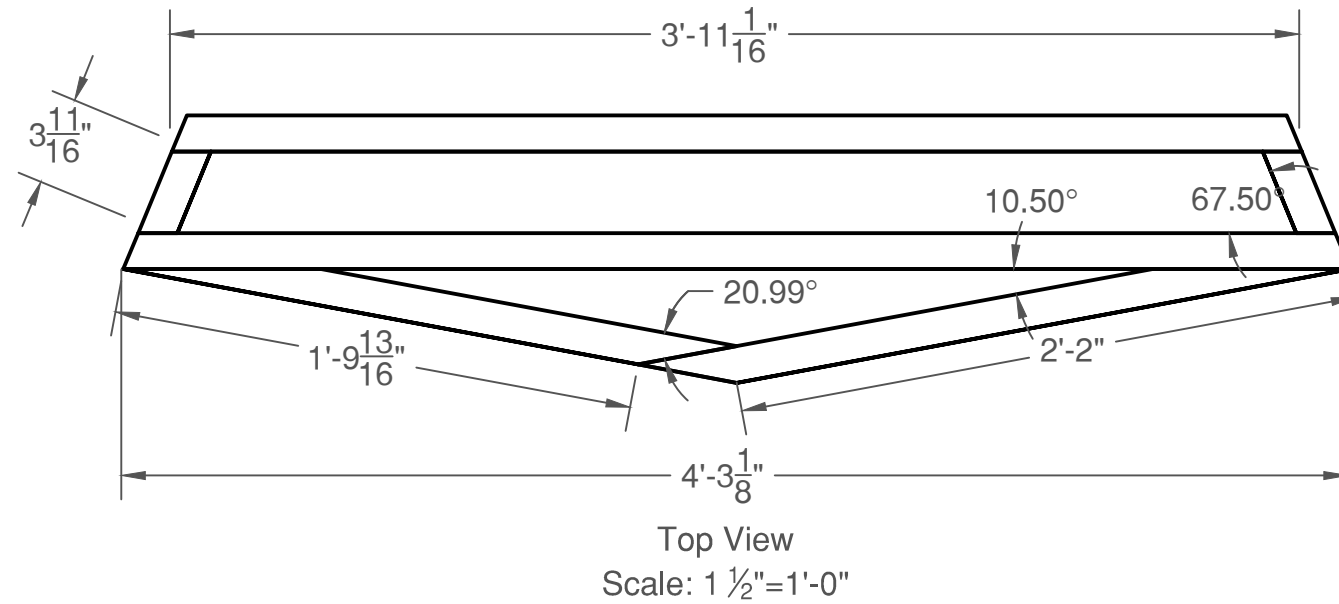
Scale: As Noted

T2

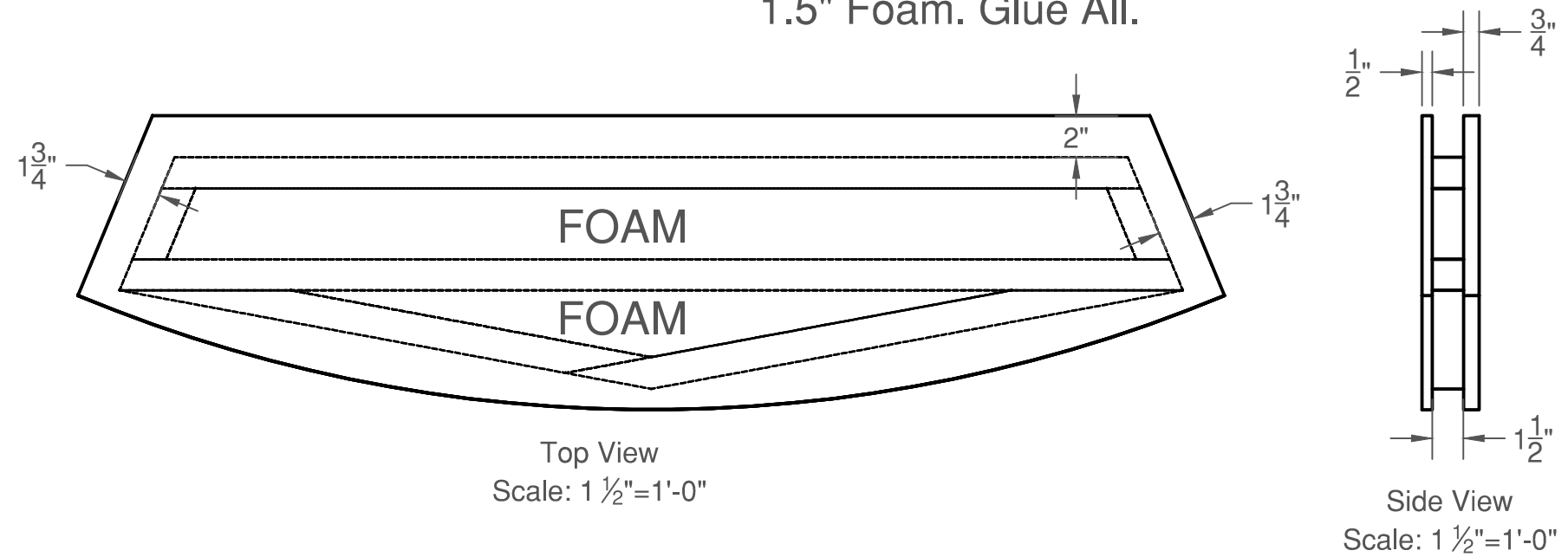


Turntable Iso- Top Removed

Outside Wedge Framing. Build 8 From 2x. Glue All.



Outside Wedge Skins. Build 8 From 2x, 3/4" Ply, 1/2" Ply, and 1.5" Foam. Glue All.



12 Ft Turntable

Turntable Stage 3

University of Memphis- Dept. of Theatre and Dance

Designer: Aaron Mayer

Tech Director: Aaron Mayer

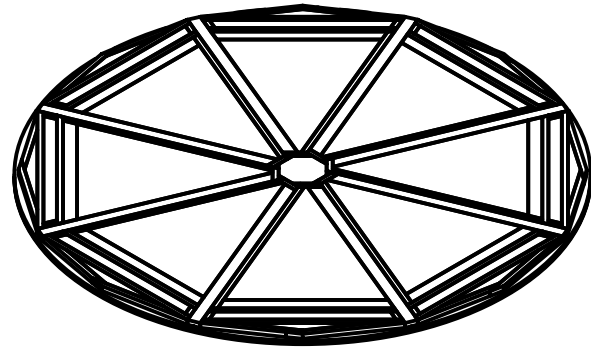
Director: --

Drafter: A. Mayer

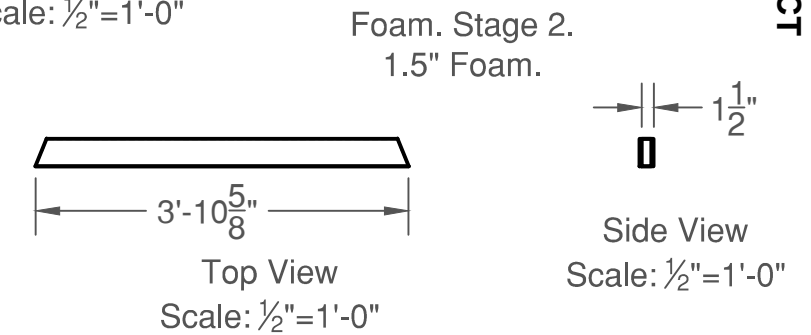
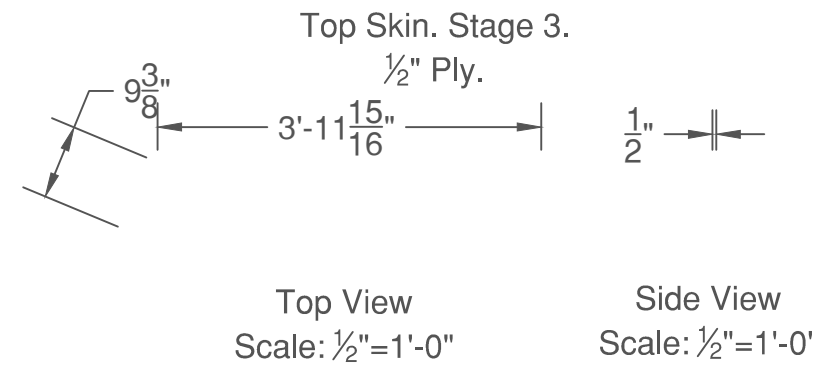
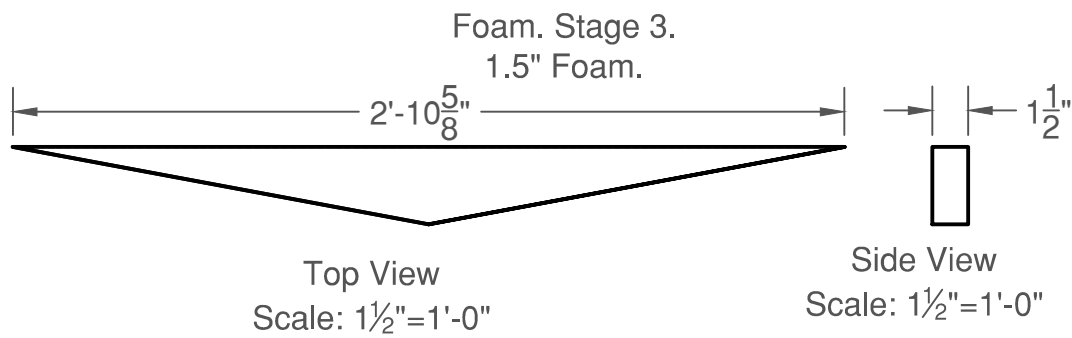
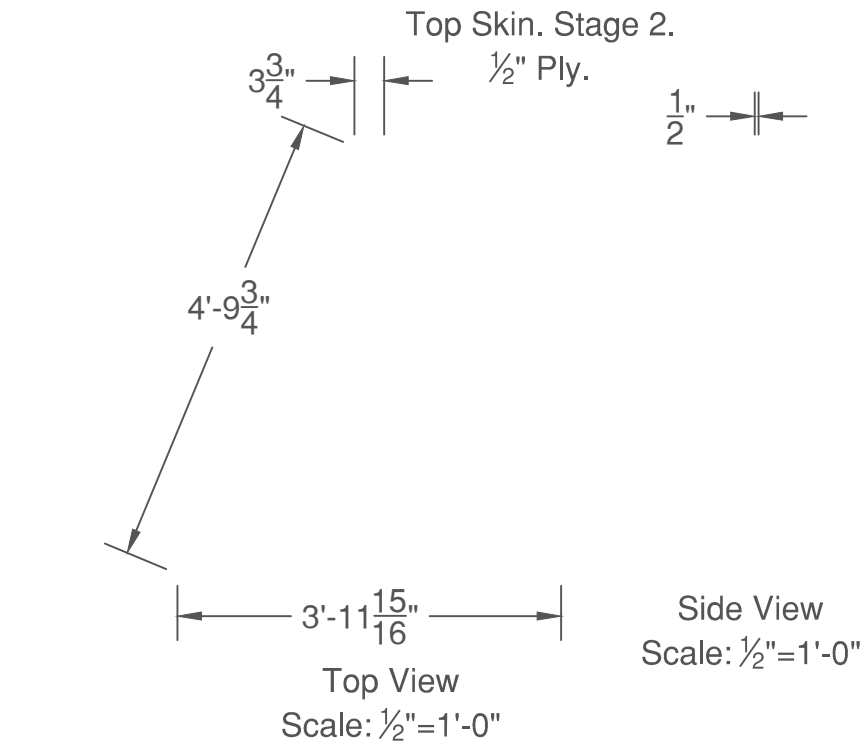
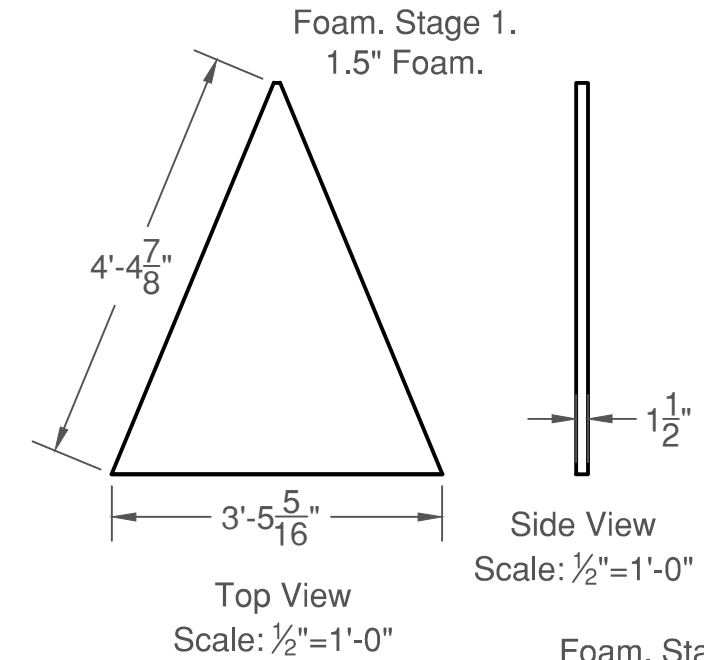
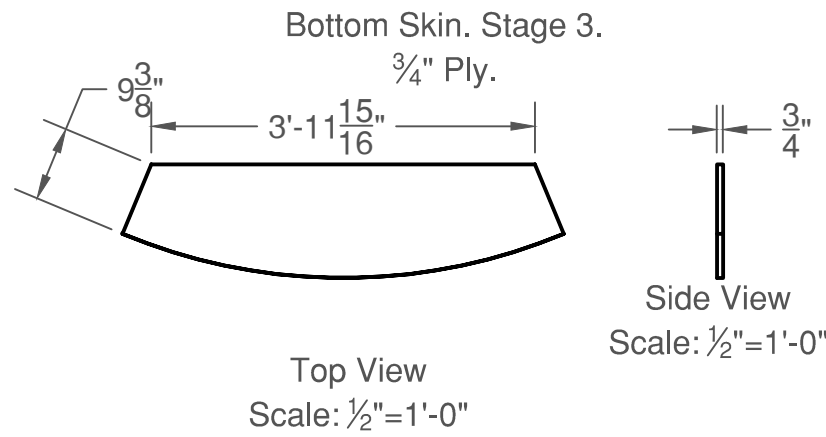
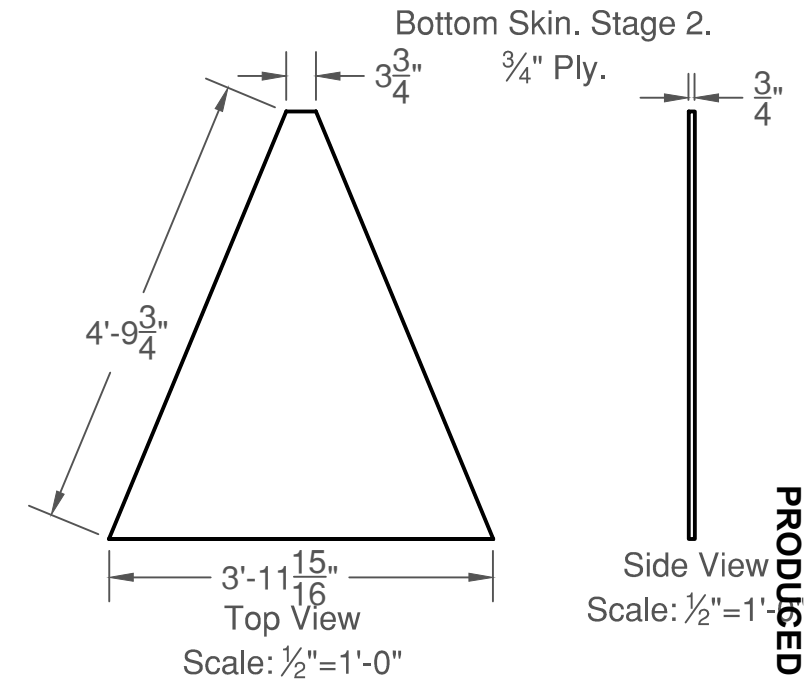
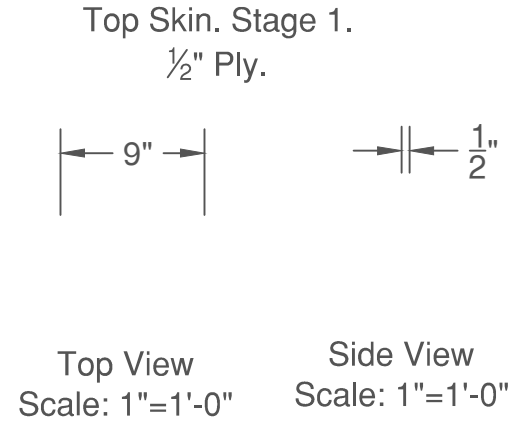
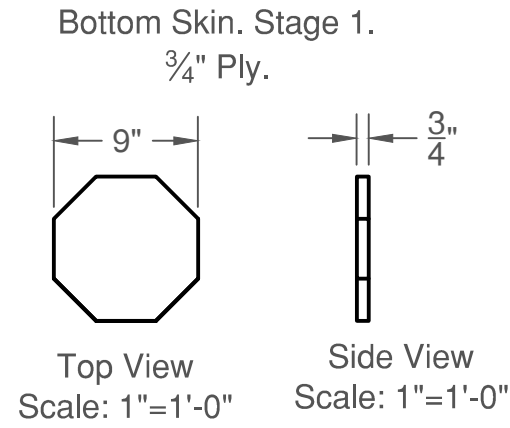
DWG Date: 10/12/11 REV Date:

Scale: As Noted

T3



Turntable Iso- Top Removed



PRODUCED BY AN AUTODESK EDUCATIONAL PRODUCT

PRODUCED BY AN AUTODESK EDUCATIONAL PRODUCT

12 Ft Turntable

Turntable Sheet Goods Reference- All CNC Shapes

University of Memphis- Dept. of Theatre and Dance

Designer: Aaron Mayer

Tech Director: Aaron Mayer

Director: --

Drafter: A. Mayer

DWG Date: 10/12/11 REV Date:

Scale: As Noted

T4