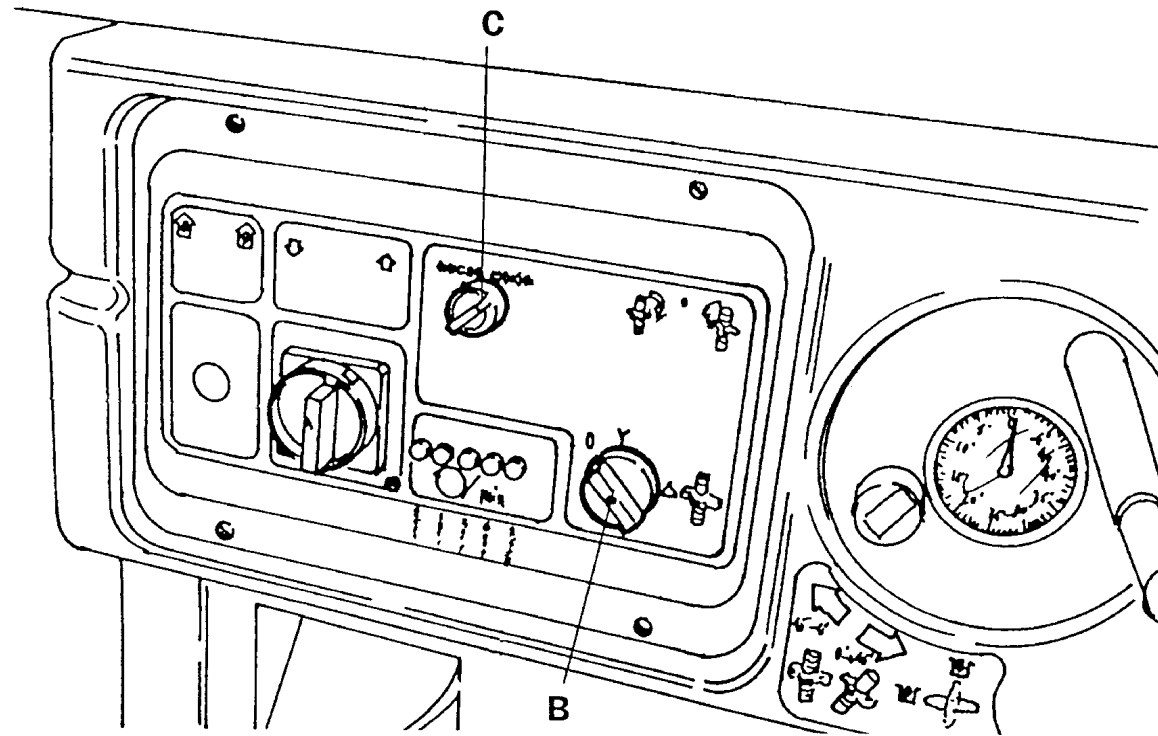


CATALOGO RICAMBI  
SPARE PARTS LIST  
CATALOGUE DES PICES DETACHEES  
ERSATZTEILKATALOG  
CATALOGO RECAMBIOS

<b>T112</b>	<b>TX112</b>
<b>T112 C</b>	<b>TX112 C</b>
<b>T112 CF</b>	<b>TX112 CF</b>
<b>T112 CL</b>	<b>TX112 CL</b>
<b>T112 L</b>	<b>TX112 L</b>

T-TX 112 dal 1999 ad oggi

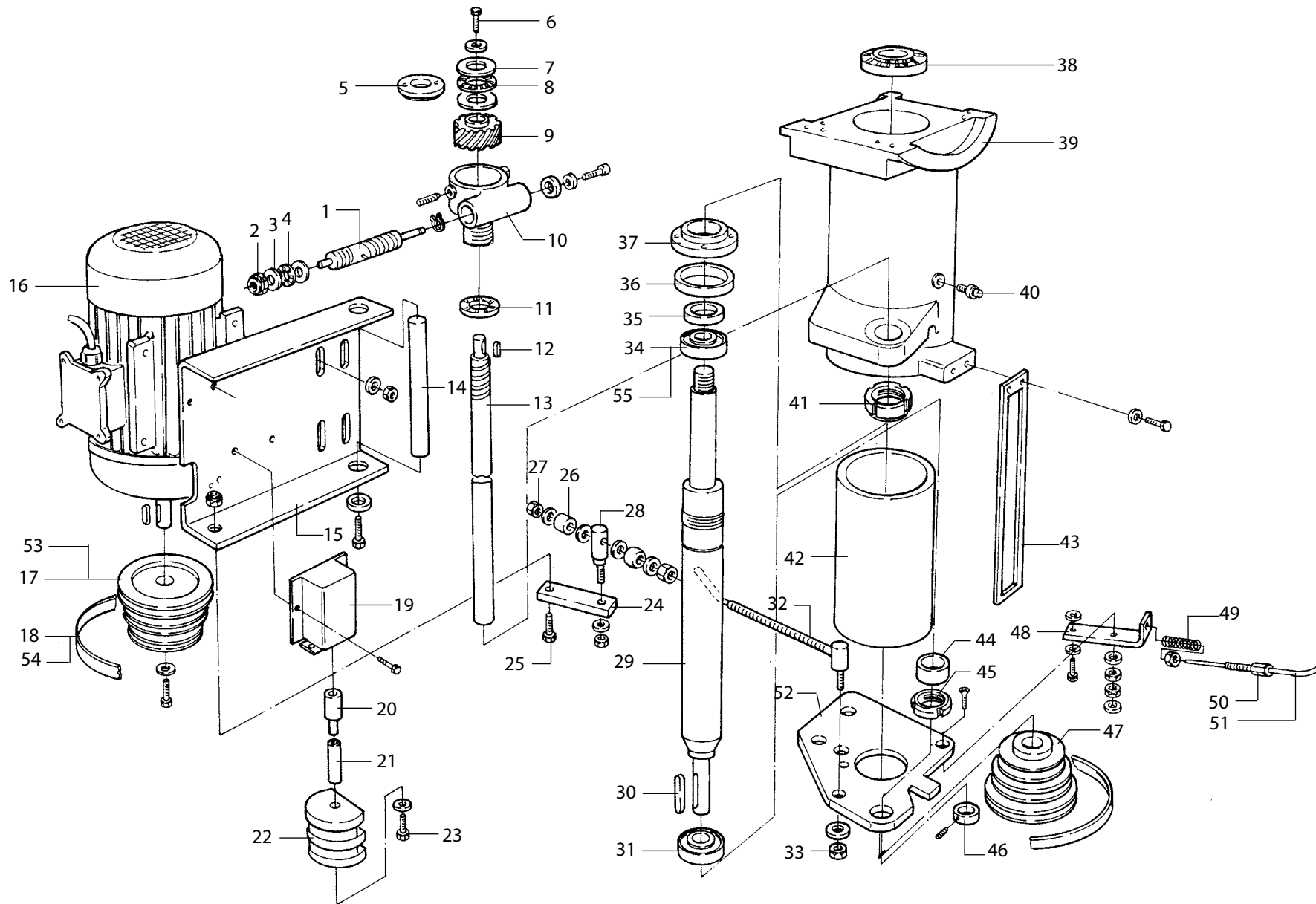
B - Cod. 8362053  
C - Cod. 8753002



T 112

10 99

Fig. 3.1



**T 112**

**10 99**

**TAV. 161**

RIF.	CODE			QUANTITA'
				QUANTITY QUANTITE MENGE CANDIDAD
1	6881023			1
2	8280007			1
3	8682001			2
4	8131614			1
5	7281004			1
6	8886102			1
7	8682002			4
8	8131615			2
9	7735003			1
10	6750001			1
11	8280034			2
12	8101144			1
13	7881109			1
14	6608908			1
15	6617448			1
16	MOTORE			1
17	6642035			1
18	8102826	(3V 355)		1
19	6097211			1
20	6070721			1
21	6169194			1
22	6095256			5
23	8885064			1
24	7617061			1
25	7881211			1
26	8280051			2
27	8153039			2
28	7608734			1
29	ALBERO			1
30	8101164			1
31	8130224	(6206-2RS)		1
32	6409057			1
33	8153006			1
34	8102826	(6011-2RS)		1
35	7169011			1

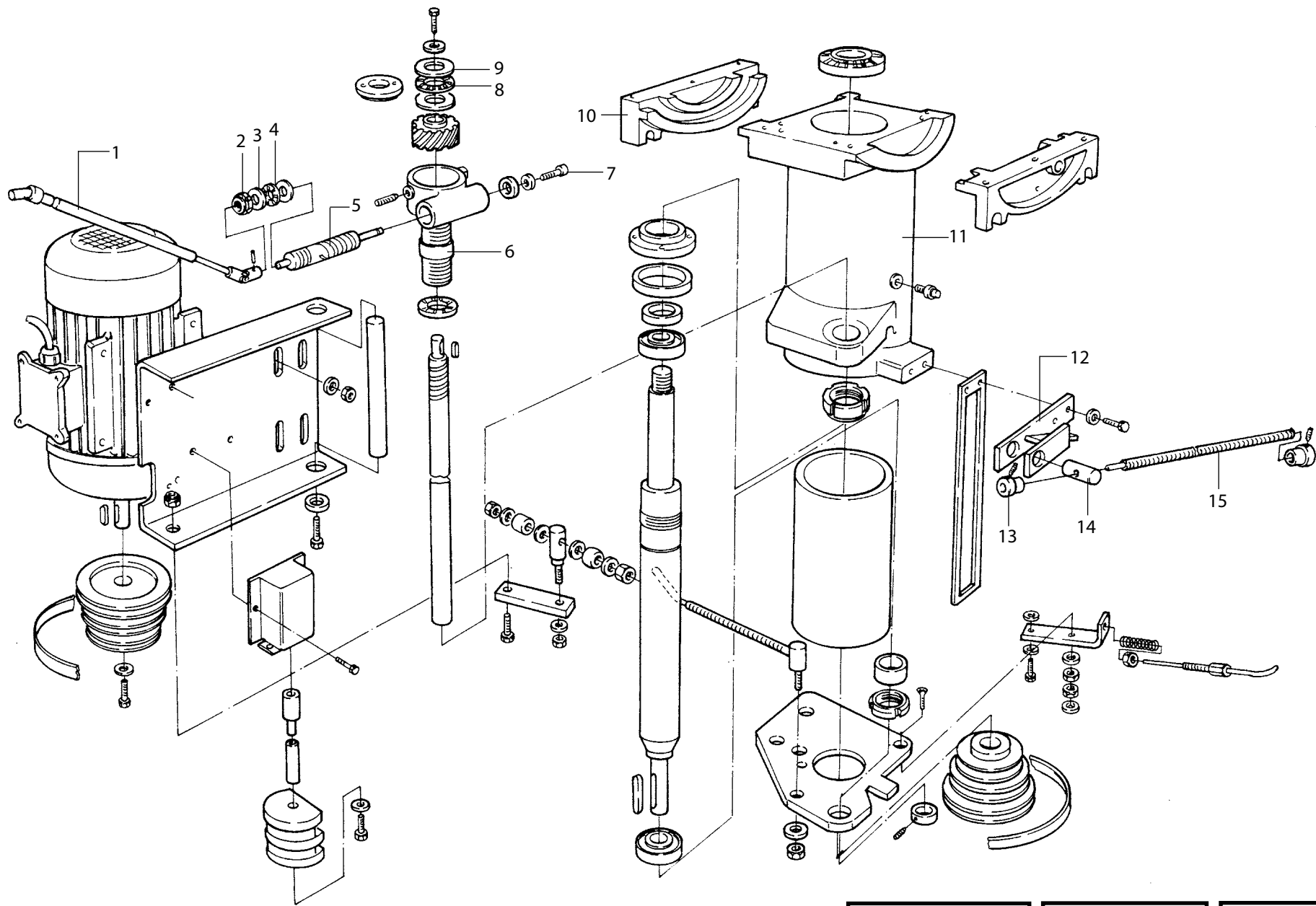
RIF.	CODE			QUANTITA'
				QUANTITY QUANTITE MENGE CANDIDAD
36	7169010			1
37	6597006			1
38	6127014			1
39	6095015			1
40	8680607			1
41	8280034			2
42	6623011			1
43	7617064			1
44	6110048			1
45	8280033			1
46	702258			2
47	6642124			1
48	6617519			1
49	6481082			1
50	8691010			1
51	8292064			1
52	6617446			1
	10000 RPM			
53	6642036			1
54	8102827	(3V 375)		1
55	8130302	(B7011X2TADULEP7-RHP)		1

RIF.	CODE			QUANTITA'
				QUANTITY QUANTITE MENGE CANDIDAD
16	8477290	HP 5,5	V230/400/50	
	8477282	HP 5,5	V400/700/50	
	8477301	HP 5,5	V230/400/50+Brake/ Freno	
	8477303	HP 5,5	V400/700/50+Breke/ Freno	
	8477306	HP 6,6	V220/440/60+Breke/ Freno	
	8477245	HP 7,5	V230/400/50	
	8477247	HP 7,5	V400/700/50	
	8477259	HP 7,5	V230/400/50+Breke/ Freno	
	8477261	HP 7,5	V400/700/50+Breke/ Freno	
	8477264	HP 9	V220/440/60+Breke/ Freno	

**T 112**

**10 99**

**TAV. 161**



**TX 112**

**10 99**

**TAV. 162**

RIF.	CODE			QUANTITA' QUANTITY QUANTITE MENGE CANTIDAD
1	8280046			1
2	8280007			1
3	8682001			2
4	8131614			1
5	6881024			1
6	6169241			1
7	8883619			1
8	8131615			2
9	8682002			4
10	6635016			1
11	6095016			1
12	6785457			1
13	6022566			1
14	6110047			1
15	6881140			1

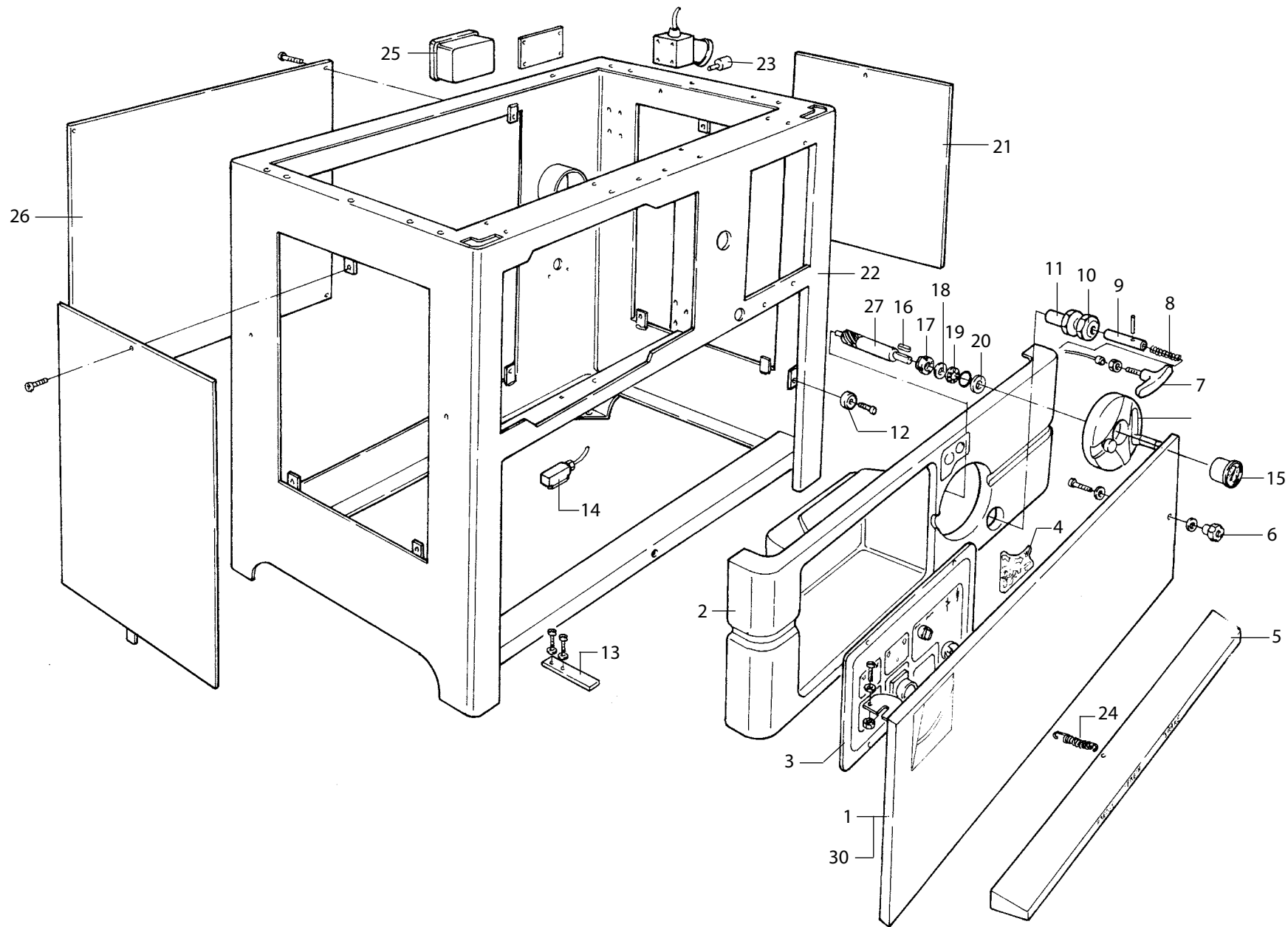
RIF.	CODE			QUANTITA' QUANTITY QUANTITE MENGE CANTIDAD

RIF.	CODE			QUANTITA' QUANTITY QUANTITE MENGE CANTIDAD

**TX 112**

**10 99**

**TAV.162**



**T 112**

**10 99**

**TAV.163**

RIF.	CODE			QUANTITA' QUANTITY MENGE CANTIDAD
	STD			
1	6772043			1
2	6097199			1
3	6595134			1
4	6807471			1
5	6605007			1
6	8888204			1
7	8454050			1
8	6481104			1
9	6070718			1
10	8154012			2
11	6785460			1
12	8120002			1
13	6617449			1
14	8254004			1
15	8876005			1
16	8101144			1
17	6281011			1
18	8682003			2
19	8131616			1
20	6022514			1
21	6097207			2
22	6052666			1
23	8360314			1
24	6481105			1
25	3009925			1
26	6097208			1
27	6881023			1
Con Motore Autofrenante With Brake Motor				
30	6772045			

RIF.	CODE			QUANTITA' QUANTITY MENGE CANTIDAD

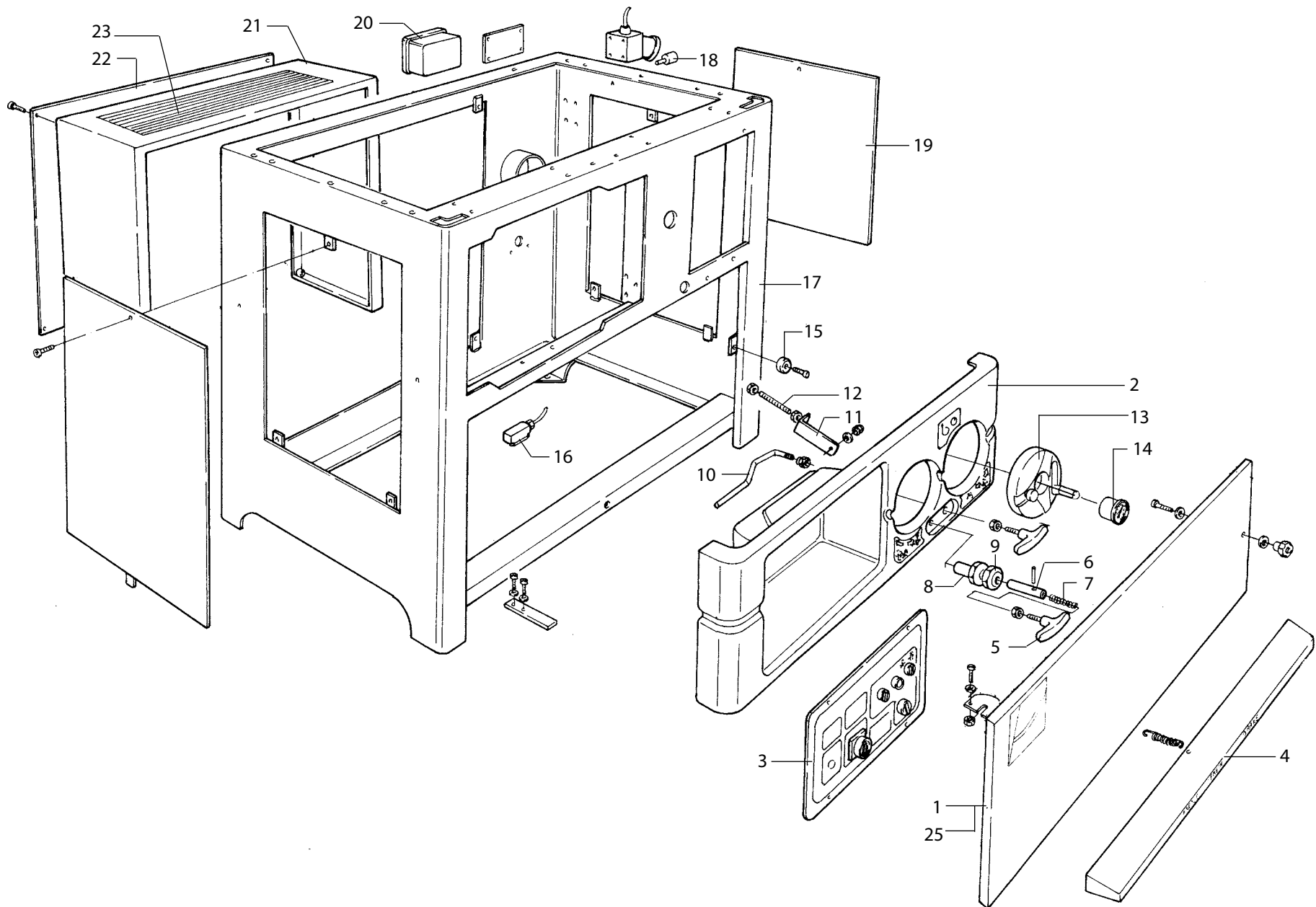
RIF.	CODE			QUANTITA' QUANTITY MENGE CANTIDAD

**T 112**

**10 99**

**TAV. 163**





**TX 112**

**10 99**

**TAV.164**

RIF.	CODE			QUANTITA' QUANTITY MENGE CANDIDAD
	STD			
1	6772043			1
2	6097202			1
3	6595134			1
4	6605007			1
5	8454050			2
6	6070718			1
7	6481104			1
8	6785460			1
9	8154012			2
10	6409059			1
11	6785472			1
12	8885117			1
13	6889019			1
14	8876005			1
15	8120002			1
16	8254004			1
17	6052666			1
18	8360314			1
19	6097207			2
20	3009925			1
21	6169242			1
22	6097208			1
23	6289038			1
	Con Motore Autofrenante With Brake Motor			
25	6772045			

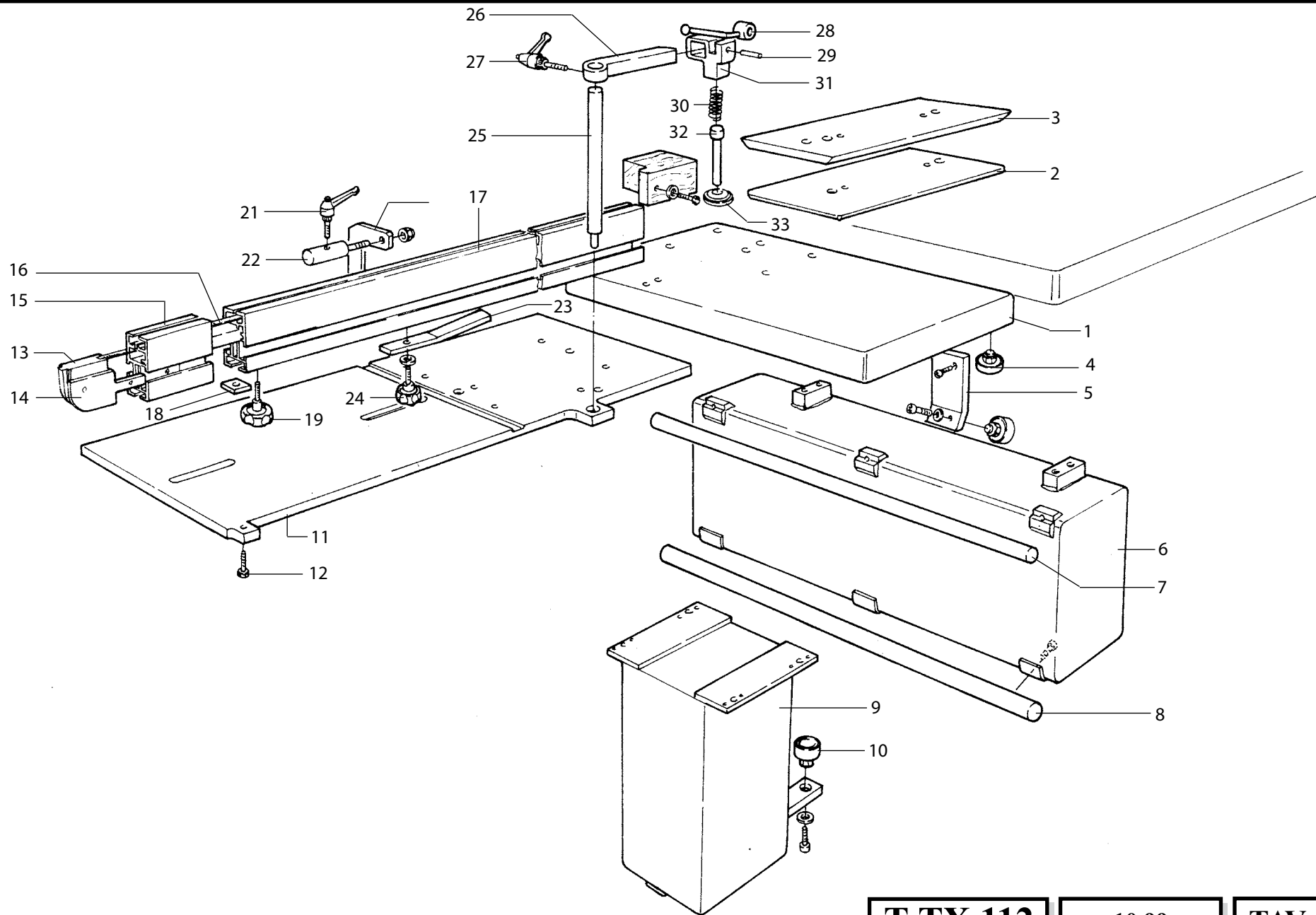
RIF.	CODE			QUANTITA' QUANTITY MENGE CANDIDAD

RIF.	CODE			QUANTITA' QUANTITY MENGE CANDIDAD

**TX 112**

**10 99**

**TAV. 164**

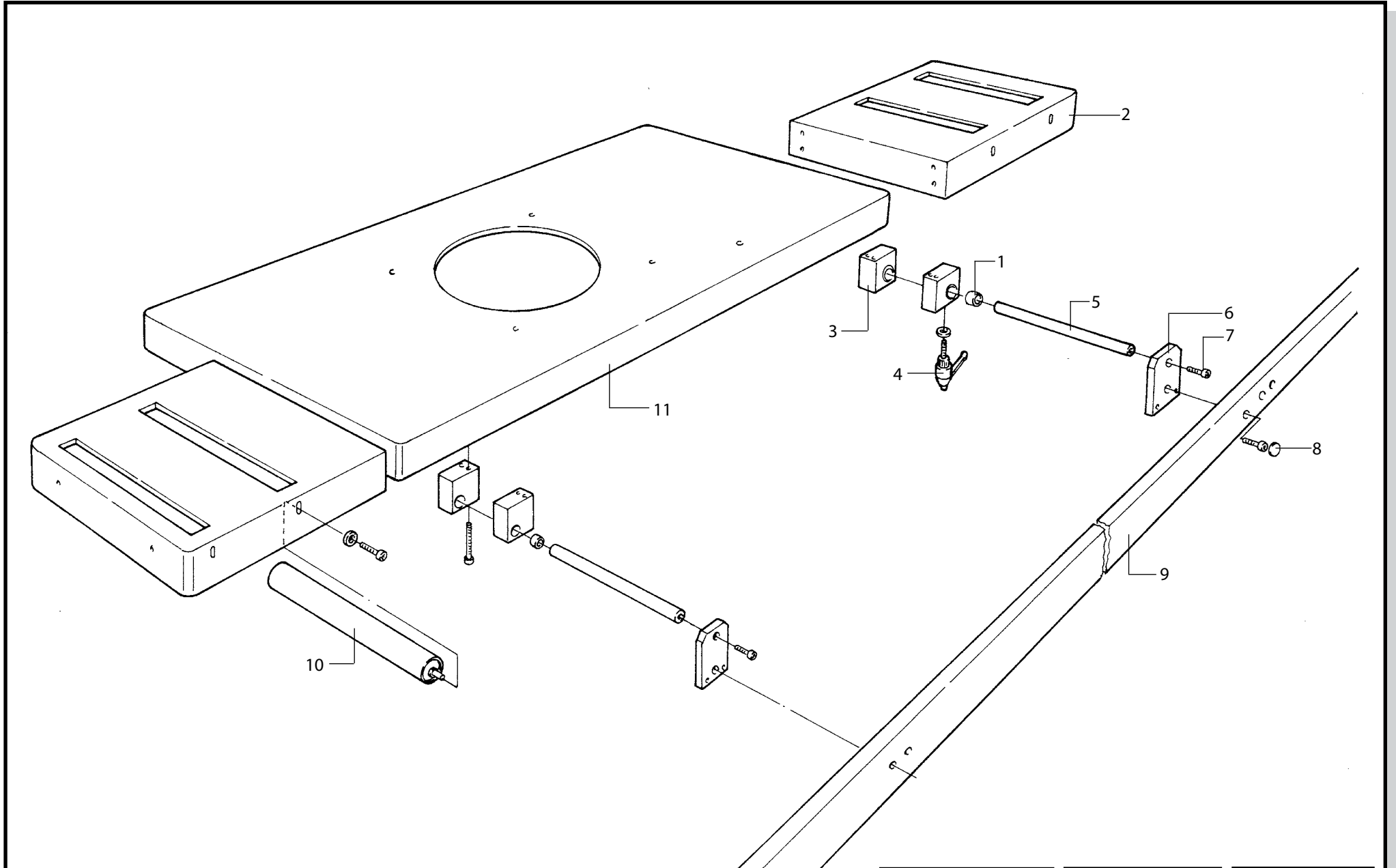


**T-TX 112**

**10 99**

**TAV.165**





**T-TX 112**

**10 99**

**TAV. 166**

RIF.	CODE			QUANTITA'
	VERS "L"	VERS "CL"	TX 112	QUANTITY QUANTITE MENGE CANTIDAD
1	7079001			4
2	6633046			2
3	6785486			4
4	8411001			2
5	7052011			2
6	6617479			2
7	8883127			2
8	8801109			6
9	6831081	6831079		1
10	8719905			2
11	6615543	6615543	6615544	1

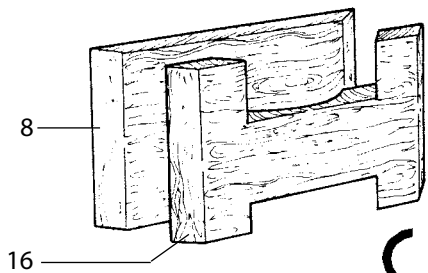
RIF.	CODE			QUANTITA'
				QUANTITY QUANTITE MENGE CANTIDAD

RIF.	CODE			QUANTITA'
				QUANTITY QUANTITE MENGE CANTIDAD

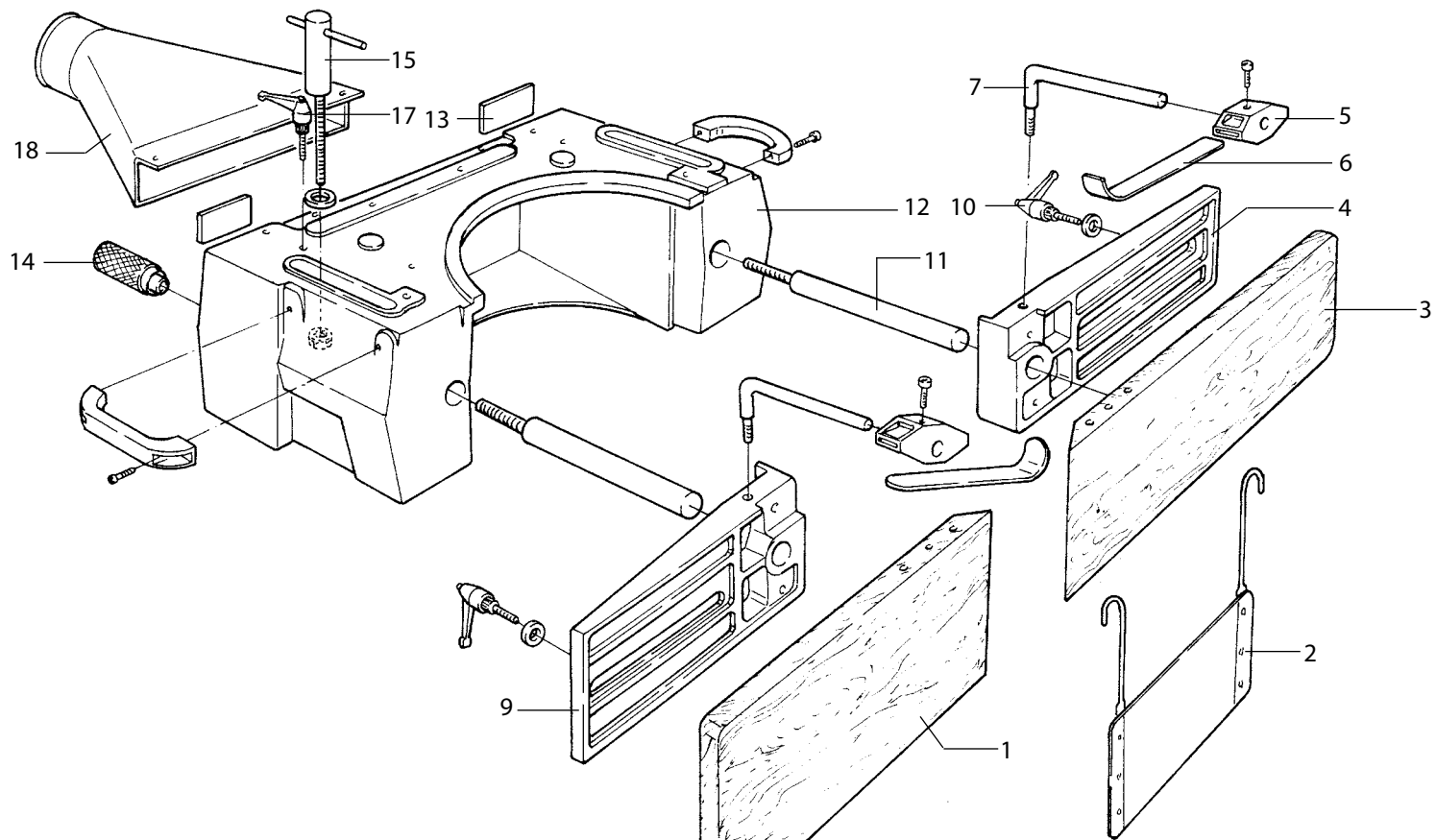
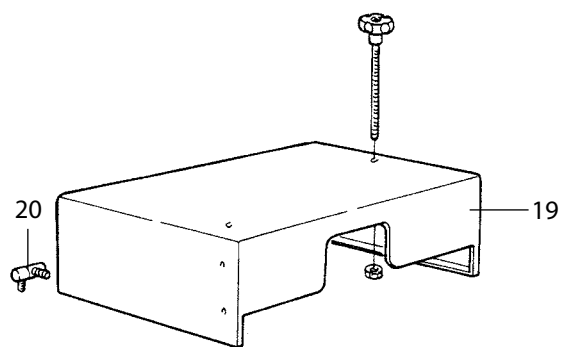
**T-TX 112**

**10 99**

**TAV. 166**



CE



**T-TX 112**

**10 99**

**TAV. 167**

RIF.	CODE			QUANTITA'
				QUANTITY QUANTITE MENGE CANDIDAD
1	7402004			1
2	7637201			1
3	7402003			1
4	6619002			1
5	8634034			2
6	7481006			2
7	7608553			2
8	6402029			1
9	6619003			1
10	8411003			2
11	7608886			2
12	6303004			1
13	7807206			2
14	8453002			2
15	3003106			1
16	6402030			1
17	8411006			1
18	6095614			1
19	6127032			1
20	8101064			2

RIF.	CODE			QUANTITA'
				QUANTITY QUANTITE MENGE CANDIDAD

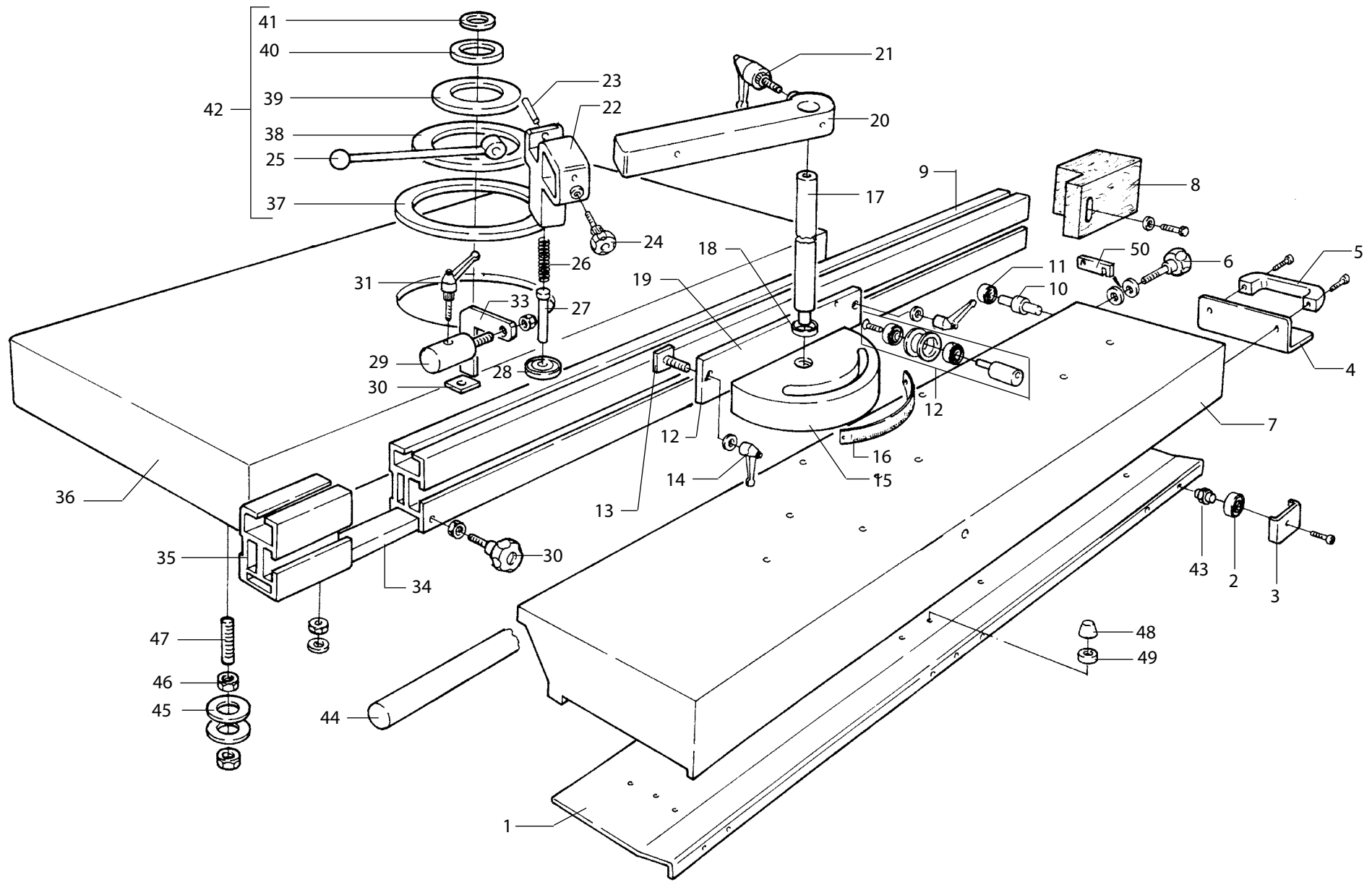
RIF.	CODE			QUANTITA'
				QUANTITY QUANTITE MENGE CANDIDAD

**T-TX 112**

**10 99**

**TAV. 167**





T-TX 112CF

10 99

TAV. 168

RIF.	CODE			QUANTITA' QUANTITY QUANTITE MENGE CANDIDAD
	T 112 CF	TX 112 CF		
1	6785477	6785520		1
2	8130249			3
3	8644022			3
4	6637213			1
5	8454000			1
6	8892045			1
7	6096005	6096058		1
8	7402008			1
9	6773002			1
10	7608114			3
11	8130152			3
12	3002717	3002838		3
13	7617031			2
14	8406000			2
15	6773107			1
16	7807162			1
17	7608877			1
18	7169028			1
19	7617078			1
20	6815005			1
21	8406010			1
22	6135001			1
23	7608351			1
24	8896000			1
25	6409016			1
26	7481049			1
27	7608704			1
28	7618000			1
29	6785035			1
30	7617031			1
31	8406014			1
32	6053004			1
33	7053004			1
34	7633004			1
35	6635005			1

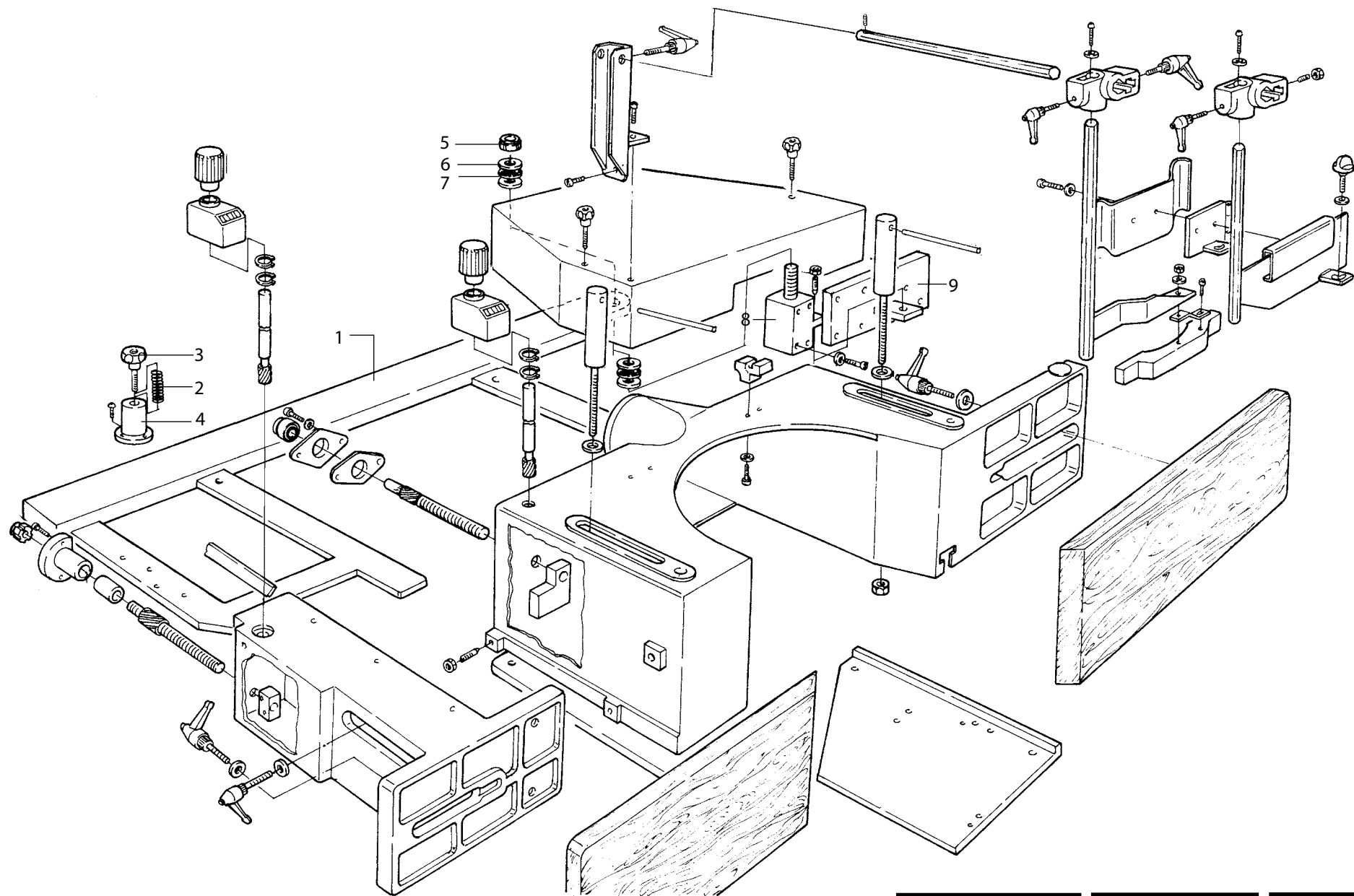
RIF.	CODE			QUANTITA' QUANTITY QUANTITE MENGE CANDIDAD
	T 112 CF	TX 112 CF		
36	6615545	6615546		1
37	6105003			1
38	6105004			1
39	6105005			1
40	6105006			1
41	6105007			1
42	3001301			1
43	7608104			3
44	7608735			1
45	8715601			8
46	8154004			8
47	8483176			4
48	7289015			2
49	7169015			2
50	7275001			1

RIF.	CODE			QUANTITA' QUANTITY QUANTITE MENGE CANDIDAD

**T-TX 112CF**

**10 99**

**TAV. 168**



**T-TX 112**

**10 99**

**TAV. 169**

RIF.	CODE			QUANTITA'
	T-TX 112			QUANTITY QUANTITE MENGE CANDIDAD
1	6075050			1
2	6481083			1
3	8892064			1
4	6255075			1
5	8280007			1
6	8682001			4
7	8131614			2
8	6785387			1
9	6169193			1

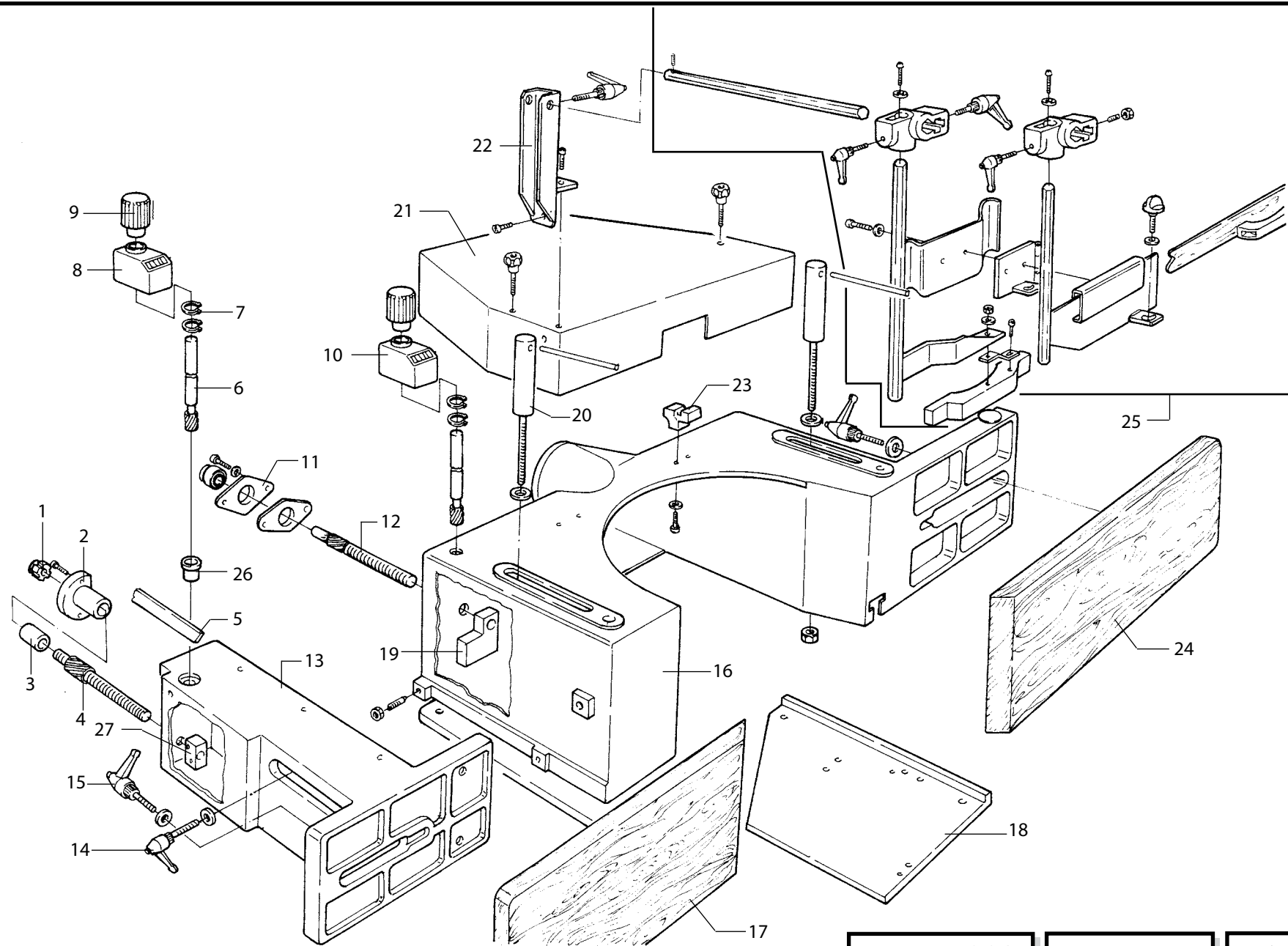
RIF.	CODE			QUANTITA'
				QUANTITY QUANTITE MENGE CANDIDAD

RIF.	CODE			QUANTITA'
				QUANTITY QUANTITE MENGE CANDIDAD

**T-TX 112**

**10 99**

**TAV.169**



**T-TX 112**

**10 99**

**TAV.170**

RIF.	CODE			QUANTITA'
	T-TX 112			QUANTITY
				MENGE
				CANDIDAD
1	8280002			1
2	6255081			1
3	8131825			1
4	6606083			1
5	6398062			1
6	6606085			1
7	8023145			4
8	8876044			1
9	8453001			2
10	8876045			1
11	8786010			1
12	6606086			1
13	6619016			1
14	8410977			1
15	8411006			2
16	6303011			1
17	6021003			1
18	6617336			1
19	6110035			1
20	3003104			1
21	6127093			1
22	6125504			1
23	8109073			2
24	6021002			1
25	3410505			1
26	6070523			2
27	6110034			1

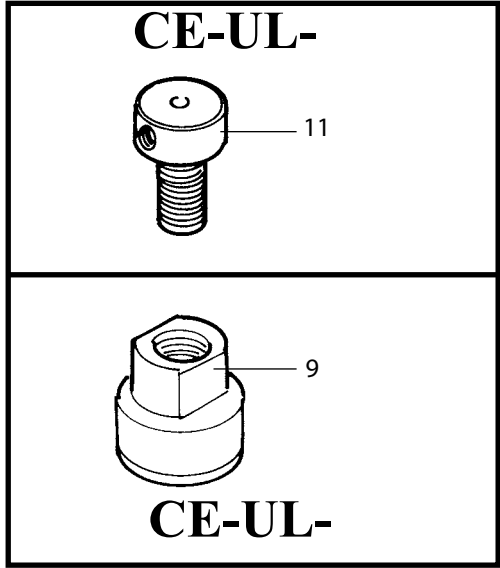
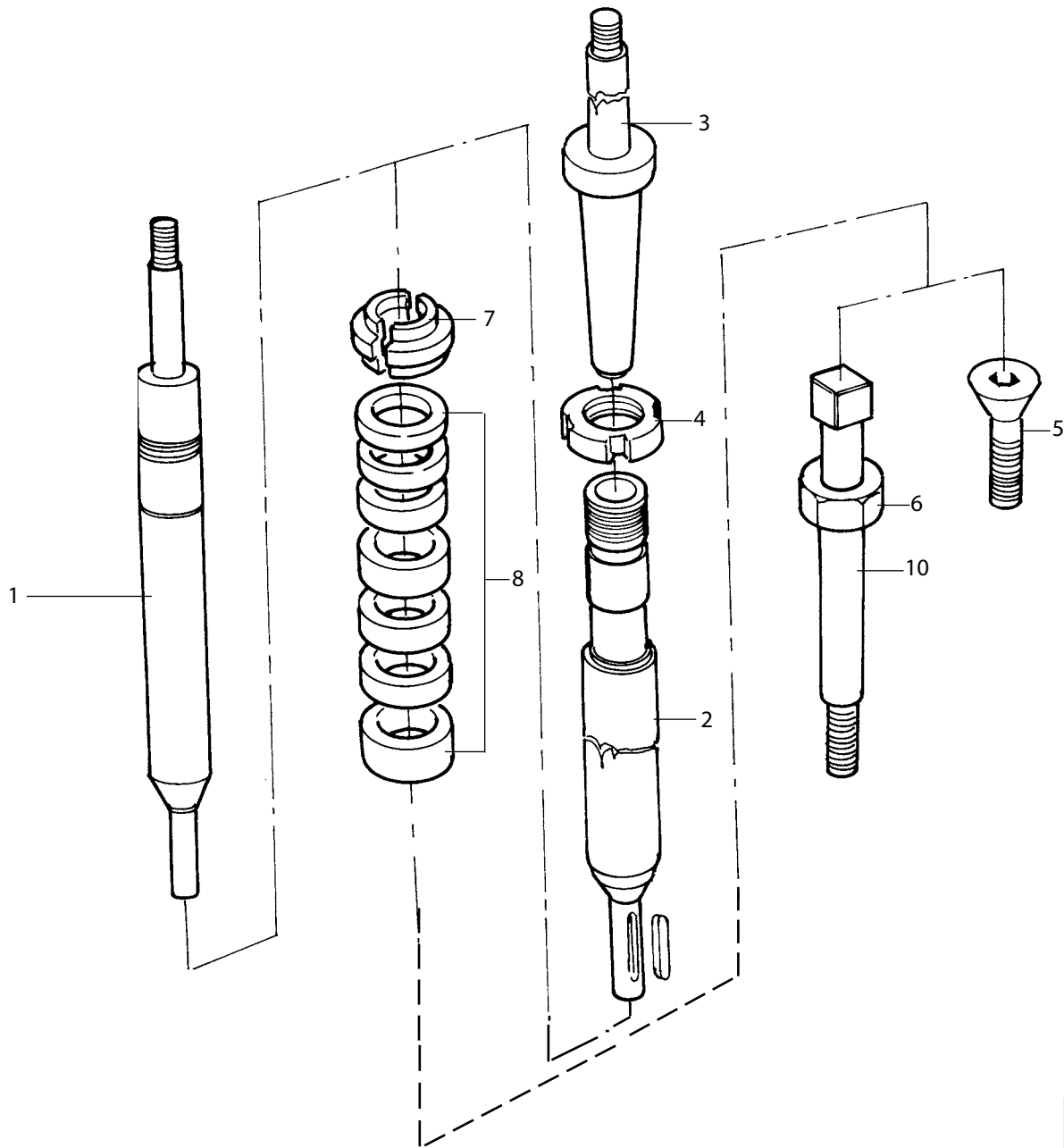
RIF.	CODE			QUANTITA'
				QUANTITY
				MENGE
				CANDIDAD

RIF.	CODE			QUANTITA'
				QUANTITY
				MENGE
				CANDIDAD

<b>T-TX 112</b>
-----------------

<b>10 99</b>
--------------

<b>TAV. 170</b>
-----------------



**T-TX 112**

**10 99**

**TAV.171**

RIF.	CODE			QUANTITA'
				QUANTITY QUANTITE MENGE CANDIDAD
1	7020418	D 3/4"		
	6020358	D 30		
	7020328	D 1" 1/4"		
	7020330	D 35		
	6020357	D 35 CE		
	7020331	D 40		
	7020333	D 50		
	6020354	D 50 CE		
2	7020422	D TUTTI		
3	6020356	D 1" 1/8"		
	7020404	D 1" 1/4"		
	6020361	D 30		
	7020406	D 35		
	7020407	D 40	D 40	
			7020109	D 50
	6020360	D 35 CE		
	6020359	D 50 CE		
	7020418	D 3/4"		
4	7281002			
5	8887181			
6	7881206			

RIF.	CODE			QUANTITA'
				QUANTITY QUANTITE MENGE CANDIDAD
9	3002034	D 30		
	3002174	D 3/4"		
	3002108	D 1" 1/4"		
	3002035	D 40		
10	8153040			
11	3002084	D 35		
	3002085	D 50		

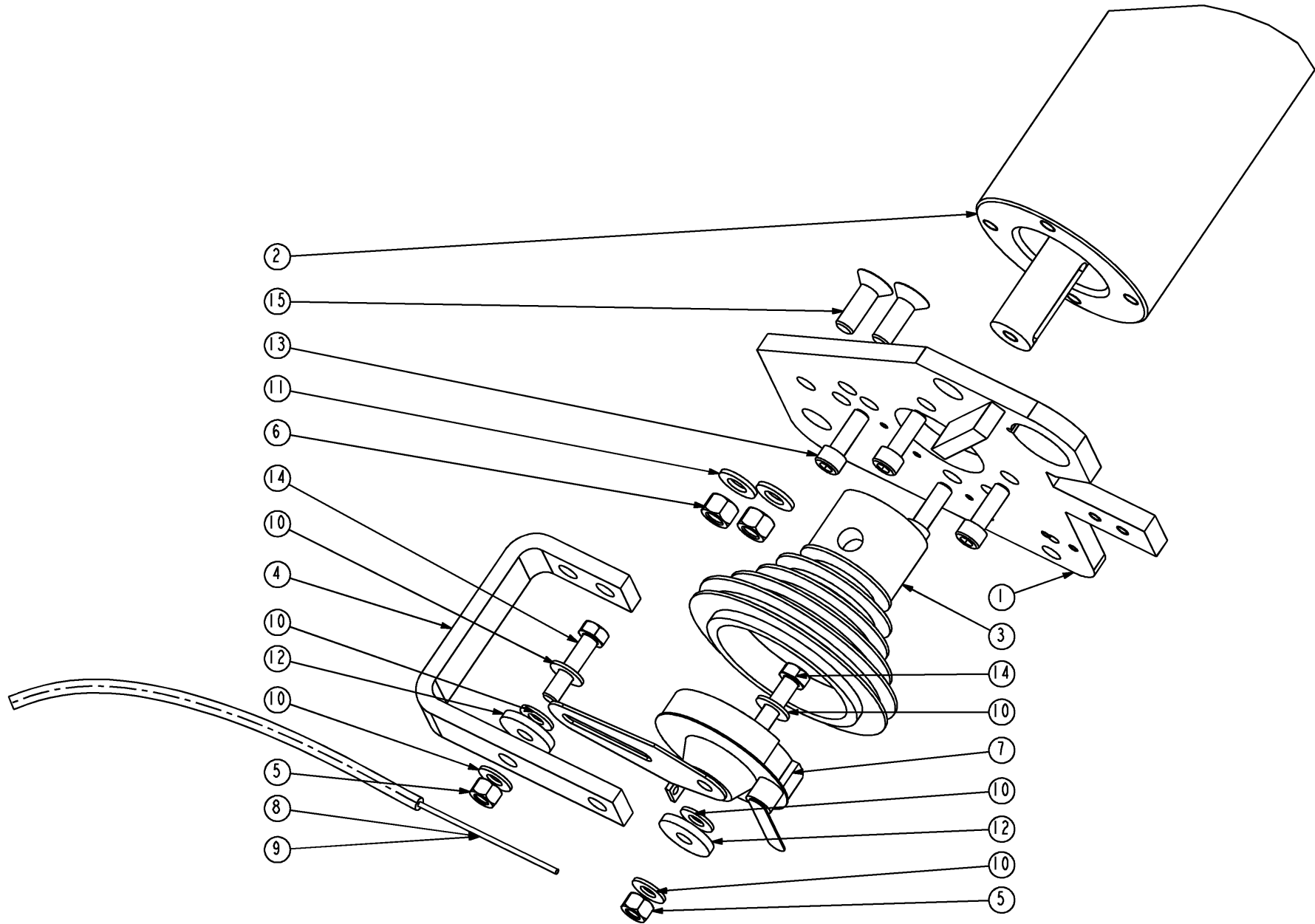
RIF.	CODE			QUANTITA'
				QUANTITY QUANTITE MENGE CANDIDAD

**T-TX 112**

**10 99**

**TAV.171**





T-TX112/160

10 99

TAV. 209

RIF.	CODE			QUANTITA' QUANTITY
				MENGE CANTIDAD
1	6617446			1
2	6623011			1
3	6642124			1
4	6785456			1
5	8153037			2
6	8153038			2
7	8260000			1
8	8292064	T/TX112		1
9	8292068	T/TX160		1
10	8715004			6
11	8715005			2
12	8715503			2
13	8883128			4

RIF.	CODE			QUANTITA' QUANTITY
				MENGE CANTIDAD

RIF.	CODE			QUANTITA' QUANTITY
				MENGE CANTIDAD

<b>T-TX 112/160</b>
---------------------

<b>10 99</b>
--------------

<b>TAV.209</b>
----------------