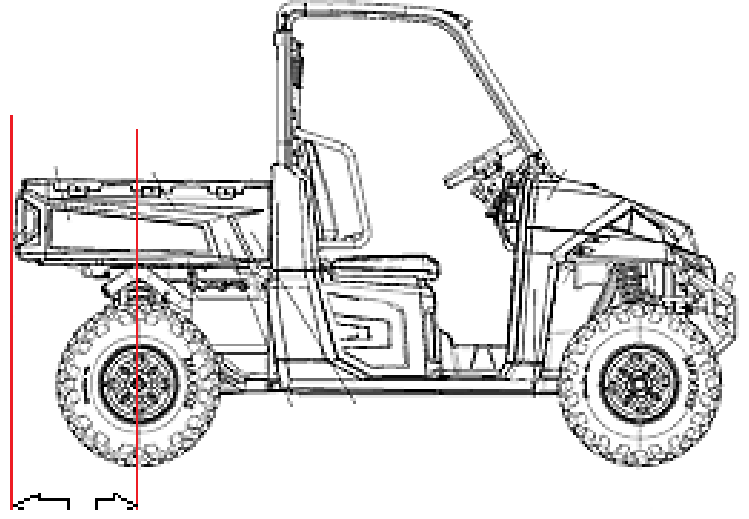


Hornet Outdoors manufactures a number of different sizes, styles, and capacities of Receiver Hitch Spare Tire Mounts for ATV's, UTV's and the Auto, Truck, RV Market.

ATV/UTV Hitches—unlike Trucks and RV's where the vehicle receiver hitch terminates under the bumper, ATV/UTV Hitches terminate down behind the rear axle, making the hitch point lower to the ground. Hornet designs most hitches for ATV/UTV use with a curved lower component to negate ground hangup.

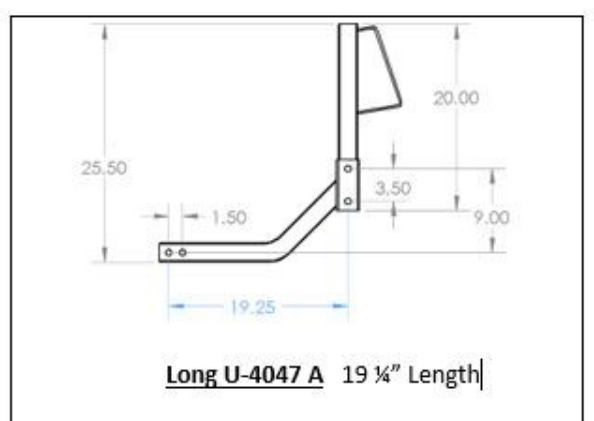
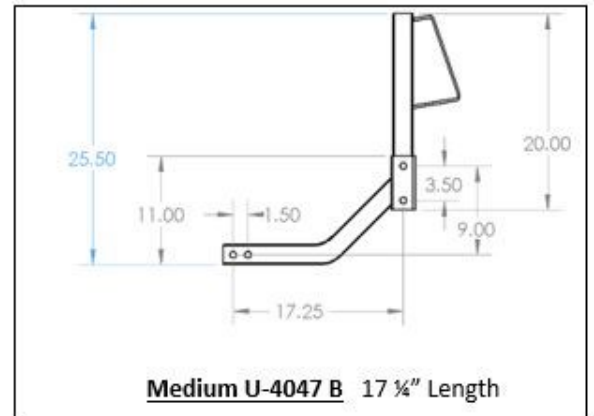
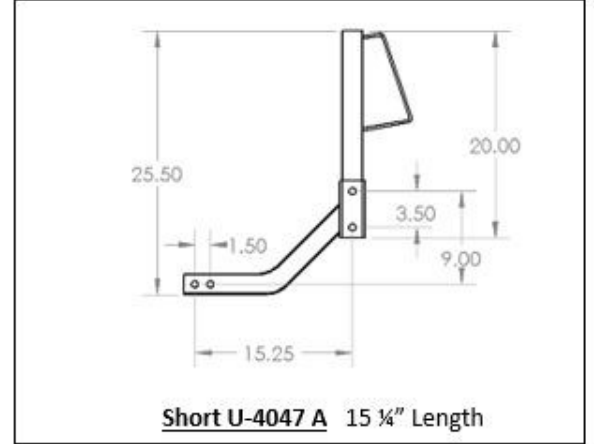
All Hornet Hitch Spare Tire carriers feature a 2 piece design, making it a simple task to remove the wheel/tire if you need to access that bed of your vehicle, or you simple don't want to haul a spare tire for that particular trip.

As with all Hitch Spare Tire Mounts, you'll want to measure the distance from the center of your vehicle receiver hitch pin hole to the back of your bed or bumper so you get a mount that situates the spare where you want it.



The Hornt U-4047 is a hitch designed for ATV's and UTV's where ground clearance is an issue. It mounts the wheel/tire at an angle.

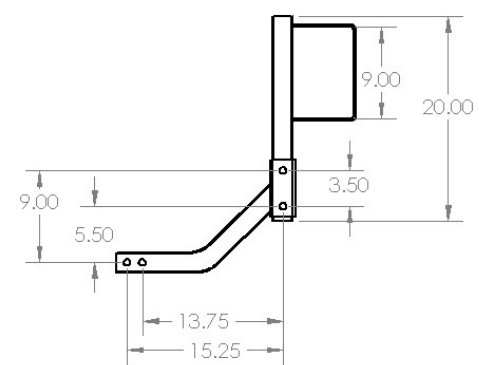
If you'd like to go directly to this product on the web site, [click here](#).



**U-4048**

The U-4048 ATV/UTV Receiver Hitch Spare Tire Mount is also available in three lengths like the U-4047 but it mounts the wheel vertically. The deeper tire mount is ideal for spares that have a deeper wheel inset.

If you'd like to go directly to this product on the web site, [click here](#).



**U-4048 Short 15"**

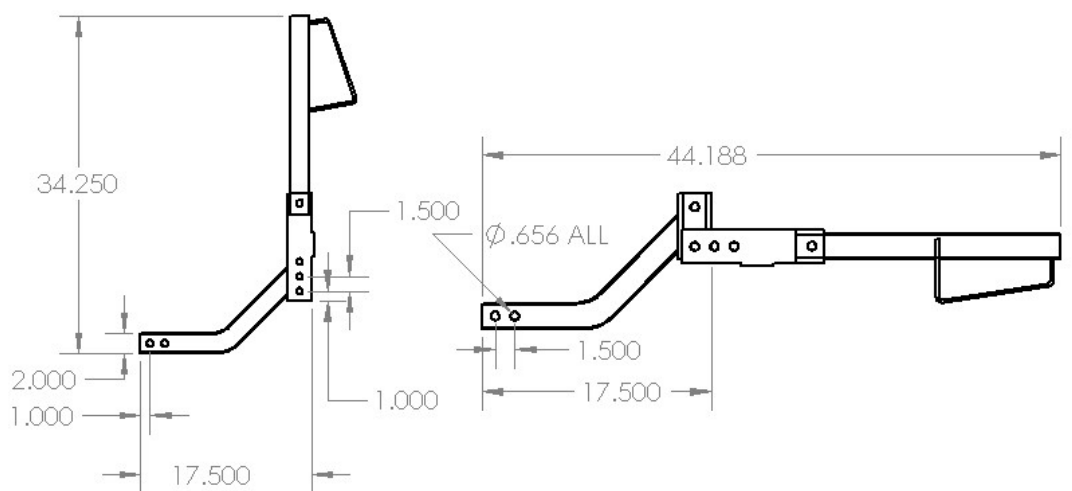
**U-4048 Medium 17"**

**U-4048 Long 19"**

**U-4047S**

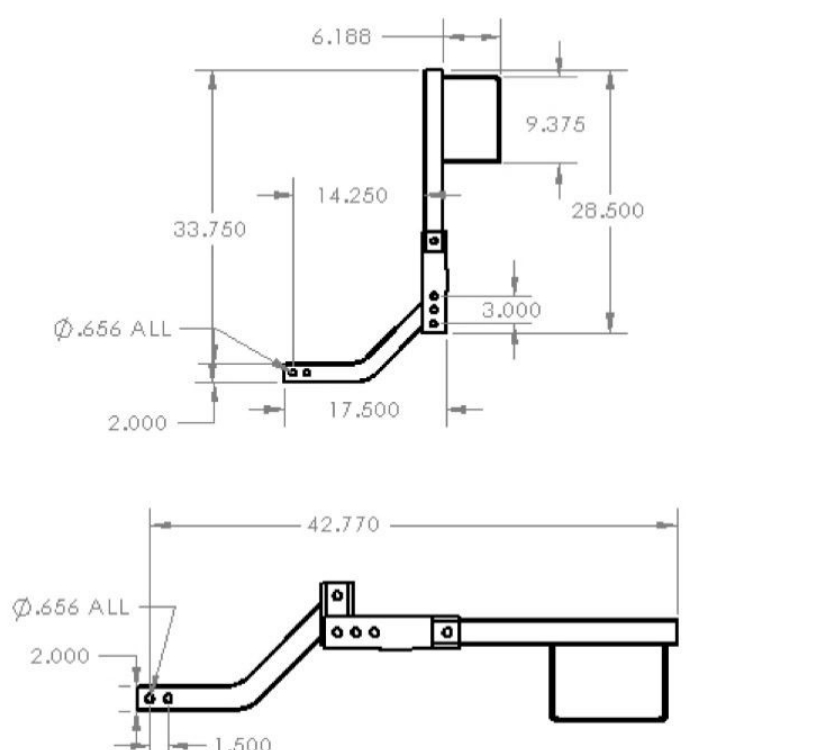
The U-4047 S Receiver Hitch Spare Tire Mount is a Fold Down Version of the U-4047 Short.

If you'd like to go directly to this product on the web site, [click here](#)



The U-4048 S Receiver Hitch Spare Tire Mount is a Fold Down Version of the U-4048 Short.

If you'd like to go directly to this product on the web site, [click here](#)



The U-4063 Receiver Hitch Spare Tire Mount is a 1 1/4" Receiver Lower component for vehicles with a 1 1/4" Receiver.

If you'd like to go directly to this product on the web site, [click here](#)

