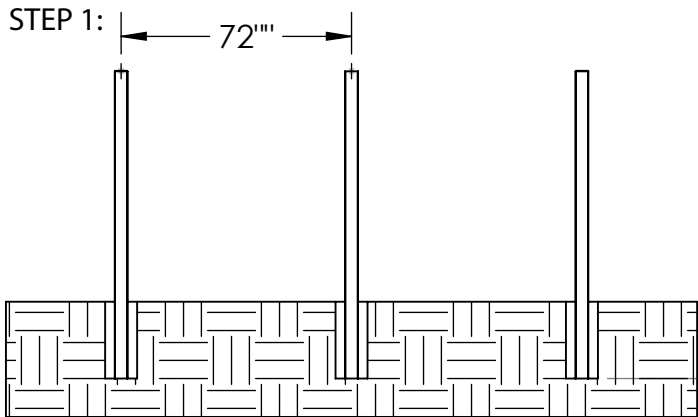
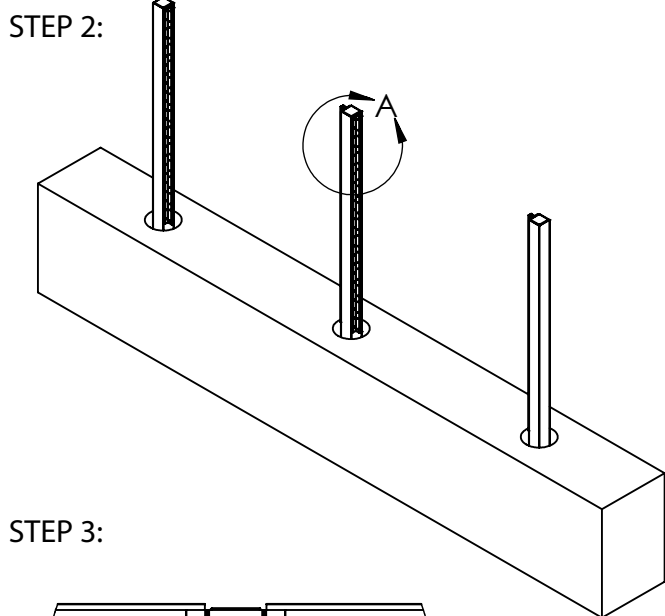


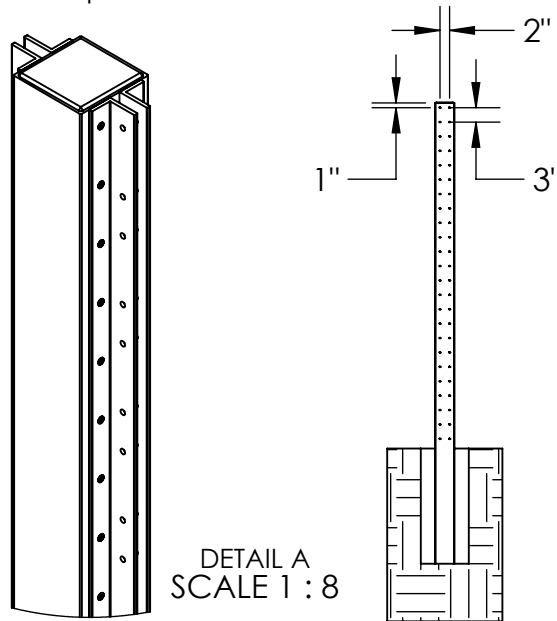
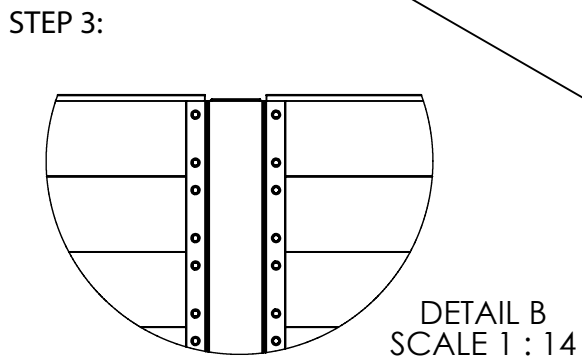
## ESTATE STYLE FENCING INSTRUCTIONS



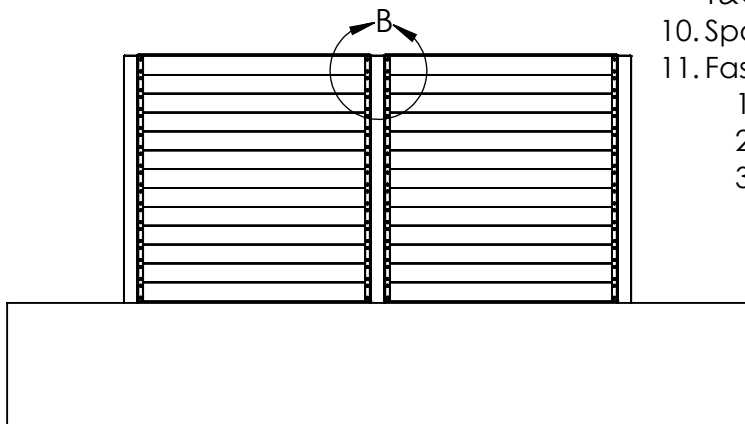
1. DIG 10" DIAMETER HOLES BT 24" DEEP.
2. ADD 2" OF GRAVEL TO BOTTOM OF THE HOLE.
3. SET POSTS IN 24" OF CONCRETE
4. PLUMB AND LEVEL ALL POSTS MAKING SURE TO USE A STRING TO MAINTAIN ALIGNMENT



5. Attach L Brackets to posts using 1" wood screw using specified spacing
6. If pre-drilling holes, a 7/64" drill bit is recommended
7. CAUTION: overtightening screws may split L Brackets



8. Slide Tongue & Groove Pickets into L Brackets
9. Using 1/4" drill bit, pre-drill 2 holes on each end of T&G Picket
10. Space holes at least 1" from edges of T&G Picket
11. Fasten T&G Pickets with:
  1. 1/4" x 1.25" coated hex cap bolt
  2. 1/4" flat washers (both sides)
  3. 1/4" locknut



**WYOCOMP**  
 1623 CENTRAL AVENUE  
 CHEYENNE, WYOMING 82001  
 (307)-432-4073  
 WWW.WYOCOMP.COM