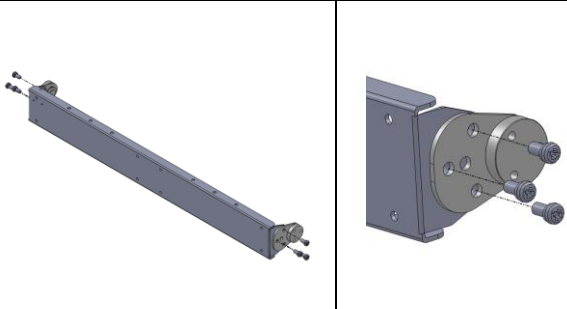
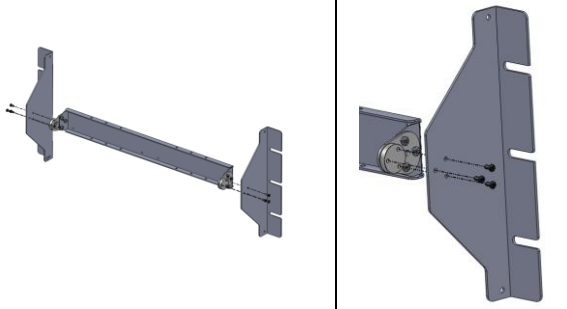
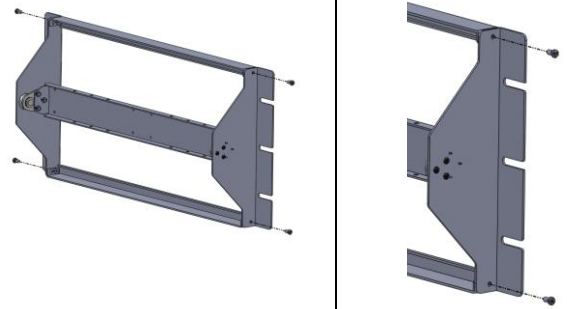
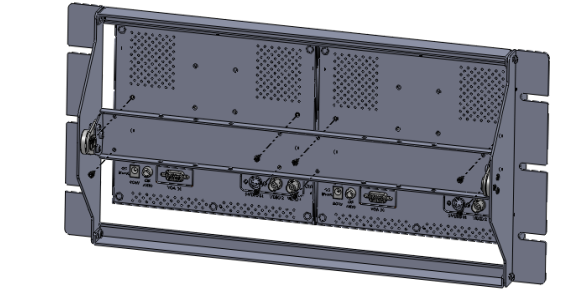


# ATHERTON

## ARM-108D 8.0" Dual Rack Mount Installation Guide

Item	Pictures		Description		
<b>Step1</b>			Item	Use Material	Q'ty
			1	Rack Mount Support	1
			2	Hinge	2
			3	Screw M4 x 8	6
			Assembly the hinge with Rack Mount supporting bracket by 6pcs of M4 x 8 screw		
<b>Step2</b>			Item	Use Material	Q'ty
			1	Rack Mount Side BKT	2
			2	Screw M3 x 6	6
<b>Step3</b>			Item	Use Material	Q'ty
			1	Rack Mount Top/Down	2
			2	Screw M4 x 8	4
<b>Step4</b>			Item	Use Material	Q'ty
			1	Screw M3 x 6	8

### Atherton Electronics Corp.

[www.athertonelectronics.com](http://www.athertonelectronics.com)

29350 Hunco Way Ste. A, Lake Elsinore, CA 92530

Tel: 1-951-245-9977, Fax: 1-951-245-9979