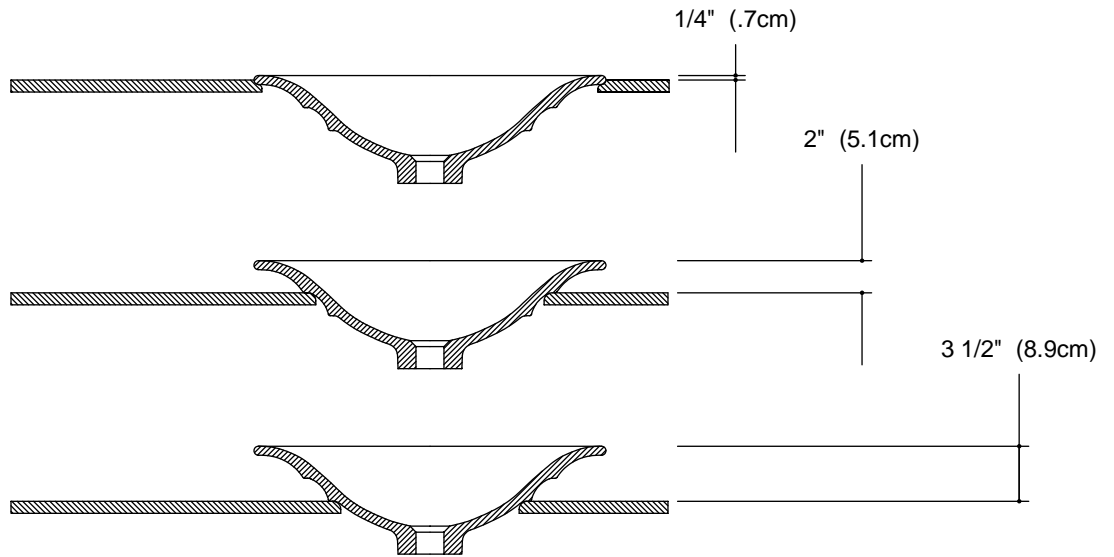


The "Lotus" bowl was designed for solid surface casting. The installations shown below illustrate the "rim height above counter" choices which are available when using a standard vanity cabinet. Further choices result when using custom height cabinets.



Patents pending

MOLD PART	CATALOG No.	DESCRIPTION
MALE	20150M	M-LOTUS SS BOWL
FEMALE	4015091M	M-ULFF-LOTUS SS FEM
TEMPLATE	20150-T	DECK OPENING TEMPLATE SS (SET OF 3)
NAME	THE TRI-LEVEL LOTUS SOLID SURFACE BOWL	
CAST WEIGHT	10 - 11 LBS	SCALE 1" = 1' 0" DATE 5-1-99 PAGE No. SS-7