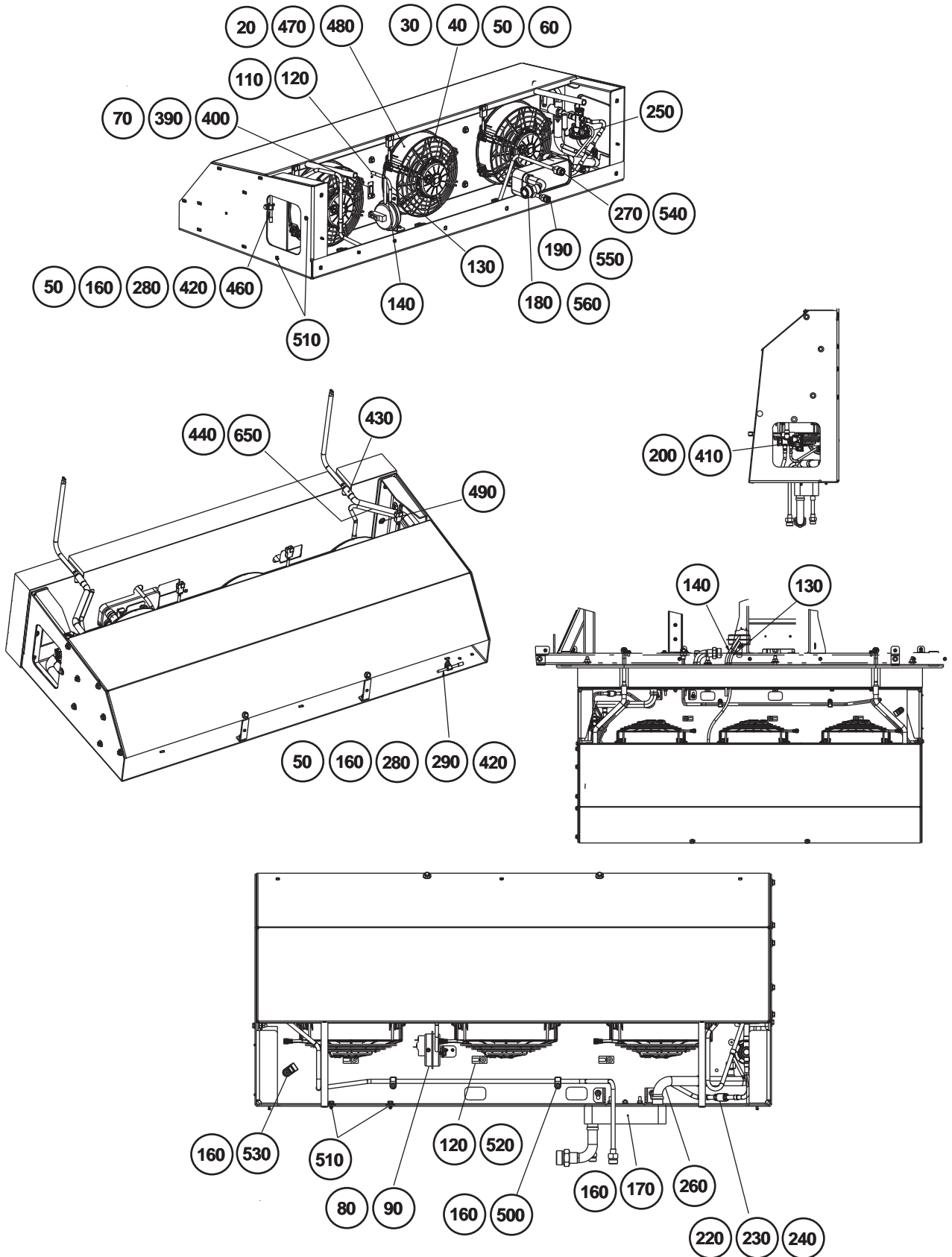


Harness, Box, NDTP (Parts list only)			
Item Number	Part Number	Part Description	Quantity
	22-61126-10	Harness, Box, NDTP 6 - 7xx	1
5	22-60248-04	Terminal, Female, 6.35, 0.5 to 1mm ²	2
10	22-50098-71	Connector, Female, 2F	1
40	22-50098-71A	Terminal, Female, 10 - 12 AWG	2
45	22-50098-67C	Seal, Cable, 10 - 12 AWG	2
55	22-50098-48	Connector, Female, DTP 06-4S	1
60	22-50098-48A	Lock, Secondary, WP-4S	1
65	22-50078-79B	Plug, Sealing, 8 - 10 Ga	1
70	22-50078-77G	Terminal, Socket, 12 - 14 Ga	3
75	22-50098-49C	Fuse Holder, Terminal, 9 - 11 AWG	2
80	22-60245-15	Terminal, Ring, 6, AWG 4 to 6	1
85	22-60545-01	Terminal, Ring, 45 Degrees, 6 Diameter, 10mm	2
90	22-60245-13	Terminal, Ring, 4, AWG 4 to 6	1
95	22-60244-21	Terminal, Ring, 8 Diameter, 16mm ²	1
100	22-60545-00	Terminal, Ring, 45 Degrees, 6 Diameter, 16mm	2
105	22-61135-00	Terminal, 90 TPC	1
125	22-60244-20	Terminal, Ring, 6, 16mm ²	2
155	22-60338-04	Tube, Heat Shrink, 24 - 6 Diameter	0.27
190	22-50099-80	Connector, 2 Circuit Housing	1
195	22-50099-80A	Terminal, Female, Crimp, 20 - 24	2
200	22-60244-15	Terminal, Ring, 6 Diameter, 10mm	1
205	22-60244-12	Terminal, Ring, 6 Diameter, 6mm	1
210	22-60244-25	Terminal, Ring, 8 Diameter, 25mm	1
215	58-60298-03	Grommet, Tap	1
220	44-60024-05	Sta-Strap, 0 - 35mm Diameter Bundle	1
225	22-60309-01	Tube, Heat Shrink, 24/mm Diameter	0.05
235	58-60423-00	Terminal, Cap	2

Fuse Kit (Parts list only)		
Part Number	Part Description	Quantity
77-61025-12	Fuse Kit, NDTP (Drawing not available)	1
22-02336-01	Fuse, 20A	1
22-02336-02	Fuse, 5A	1
22-02336-08	Fuse, 7 1/2 Amp	1
22-02336-09	Fuse, 80 Amp	1
22-02336-14	Fuse, 30 Amp	1
22-02336-16	Fuse, 40 Amp	1
22-02336-29	Fuse, 50A	1
22-02336-50	Fuse, Removal Tool	1
22-02336-29	Fuse, 50A	1

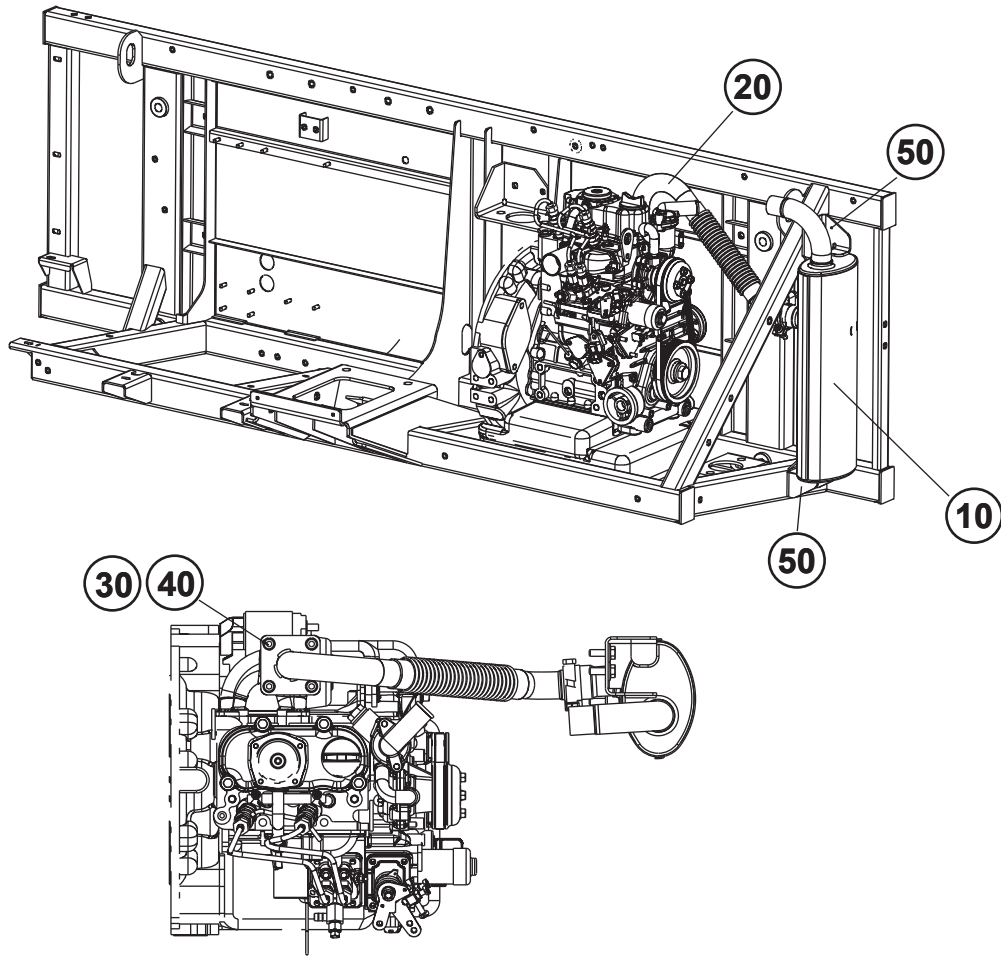
Evaporator Kit



Item Number	Part Number	Part Description	Quantity
10	79-60840-11	Evaporator Assembly	1
10.1	86-61471-02	Wrapper, Evaporator, 5xx - 7xx	1
10.2	08-60245-01	Coil, Evaporator	1
10.3	81-60959-00	Tube Assembly	1
10.4	86-61472-01	Drain Pan Assembly	1
10.5	67-60665-00	Bracket	2
10.6	68-60314-00	Bracket, TXV	1
10.7	44-60100-04	Clamp, 58 Inches	1
10.8	34-60000-16	Screw, Machine Head, M5 x 16mm	1
10.9	34-60002-56	Washer, M6, Belleville	2
10.10	34-01152-20	Screw, Cap, Hex Head, M6 x 20mm	1
10.11	34-60002-55	Washer, M5, Belleville	1
10.12	34-01184-05	Nut, Lock, M5, Nylock	1
10.13	34-01184-06	Nut, Lock, M6, Nylock	1
10.14	34-60068-20	Screw, Captive Washer, M6 x 20mm	24
10.15	34-00774-10	Rivet, Blind, 0.189 Diameter	12
20	54-00650-03	Fan Motor Assembly, 12V	3
30	73-60137-00	Grille, Evaporator	3
40	34-01152-16	Screw, Cap, Hex Head, M6 x 16mm	12
50	34-60095-27	Washer, Lock, M6 x 14mm	13
60	34-01184-106	Nut, Lock, M6, Nylock	12
70	22-02958-07	Harness, DTT	1
80	12-01039-07	Switch, Air, 1.40 +/- 0.70 Wg	1
90	34-00733-00	Nut, Hex Keps, 10 - 32	2
110	58-60297-00	Fitting, Air Sensing	1
120	34-00774-10	Rivet, Blind, 0.189 Diameter	4
130	58-01149-00	Tube, Red, Vinyl Purchase Length	1.54
140	22-01100-00	Tube, Vinyl, 3/16 x 0.06 W	0.92
160	34-60089-06	Nut, Lock, M6	10
170	08-60220-01	Heat Exchanger	1
180	81-60924-00	Tube Assembly	1
190	81-60928-00	Tube, Liquid	1
200	14-00439-00	Valve, Expansion	1
220	56-70038-00	Tube, Liquid	1
230	14-00181-09	Check Valve	1
240	56-70087-00	Tube, Liquid	1
250	82-60328-00	Tube, TXV	1
260	56-70086-00	Tube, Suction	1
270	81-60934-00	Tube, Hot Gas	1
280	44-60010-00	Clamp, Tube, 1/4	2
290	22-02973-10	Harness Assembly, RAS	1
300	58-60993-00	Hose, Drain	2
310	34-00373-07	Clamp, Tube, 0.62 Diameter, Cushioned	2
320	42-60007-13	Insulation, Tube, 1 1/8	0.2
340	42-60177-00	Gasket, Evaporator	1
360	34-00873-120	Screw, Cap, Hex Head, M10 x 120mm	6
370	34-60085-10	Washer, M10 x 22	12
380	34-01184-60	Nut, Lock, M10, Nylock	6
390	34-01197-20	Screw, Cap, Hex Head, M4 x 20mm	1
400	34-60095-24	Washer, Lock, M4 x 10mm	1
410	58-60840-00	Clip, Expansion Valve	1
420	34-01336-30	Screw, Cap, Hex Head, M6 x 30mm, 1.181	1
430	44-60024-25	Sta-Strap	2
440	58-00079-02	Sta-Strap	4

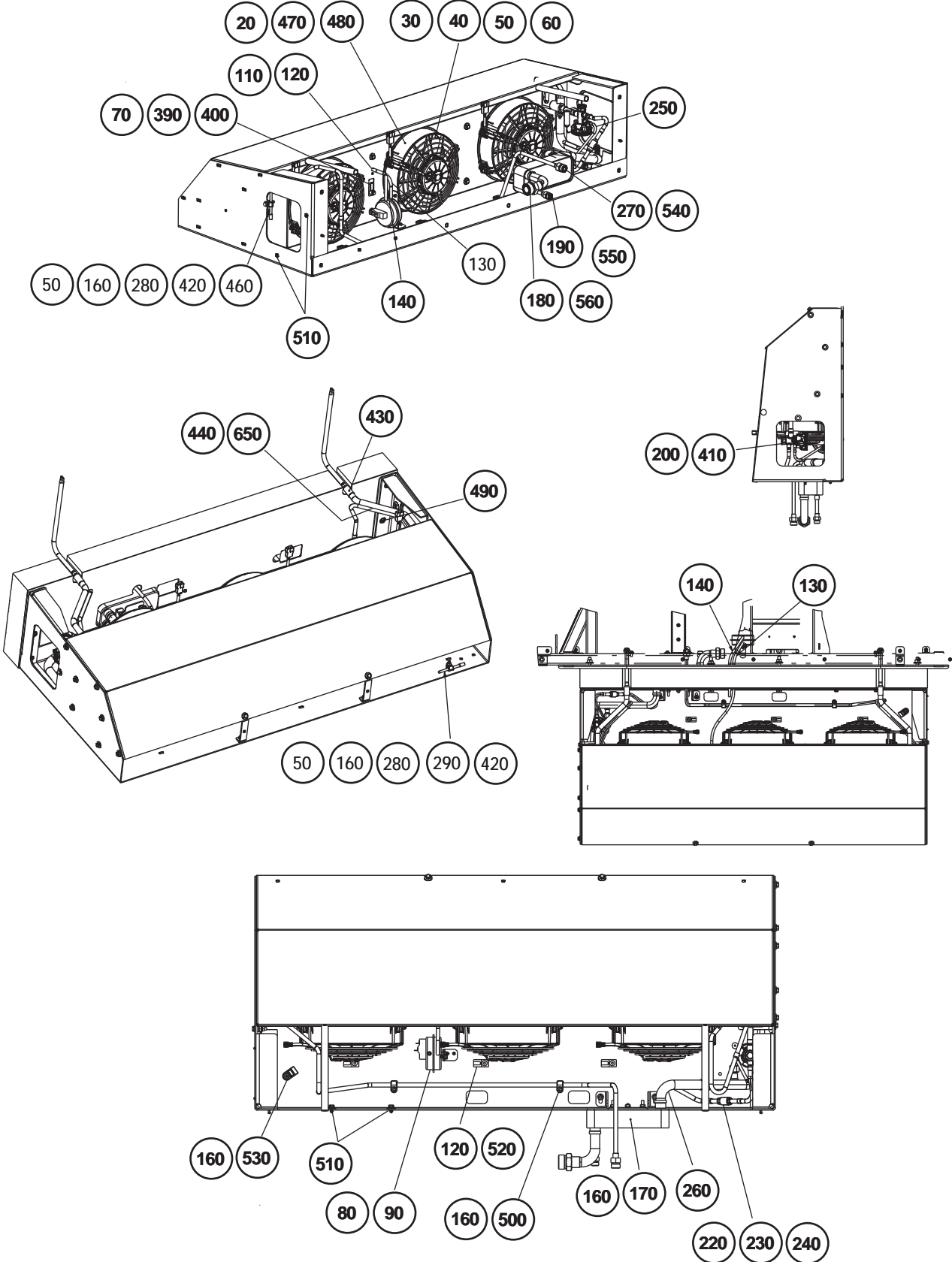
Item Number	Part Number	Part Description	Quantity
450	14-00273-20	Strap	1
460	22-02973-05	Harness, Assembly, RAS/SAS	1
470	34-60084-08	Washer, Lock, M8 x 10	12
480	34-60087-20	Screw, Cap, Socket Head, M8 x 20	12
490	34-60291-00	Rivet	2
500	44-60010-01	Clamp, Tube, 3/8 Diameter	2
510	44-60121-00	Bracket, Clamp, for Ty-Wrap	4
520	22-01613-35	Bracket, Mounting	3
530	44-60163-01	Clamp	1
540	42-00243-04	O-Ring	1
550	42-00243-09	O-Ring	1
560	42-00243-16	O-Ring	1
580	42-00243-10	O-Ring	1
610	68-71170-00	Bracket	1
620	68-71192-00	Bracket	1
630	34-60068-20	Screw, Captive Washer, M6 x 20mm	3
650	44-60042-26	Collar, Tube	4

Exhaust Kit

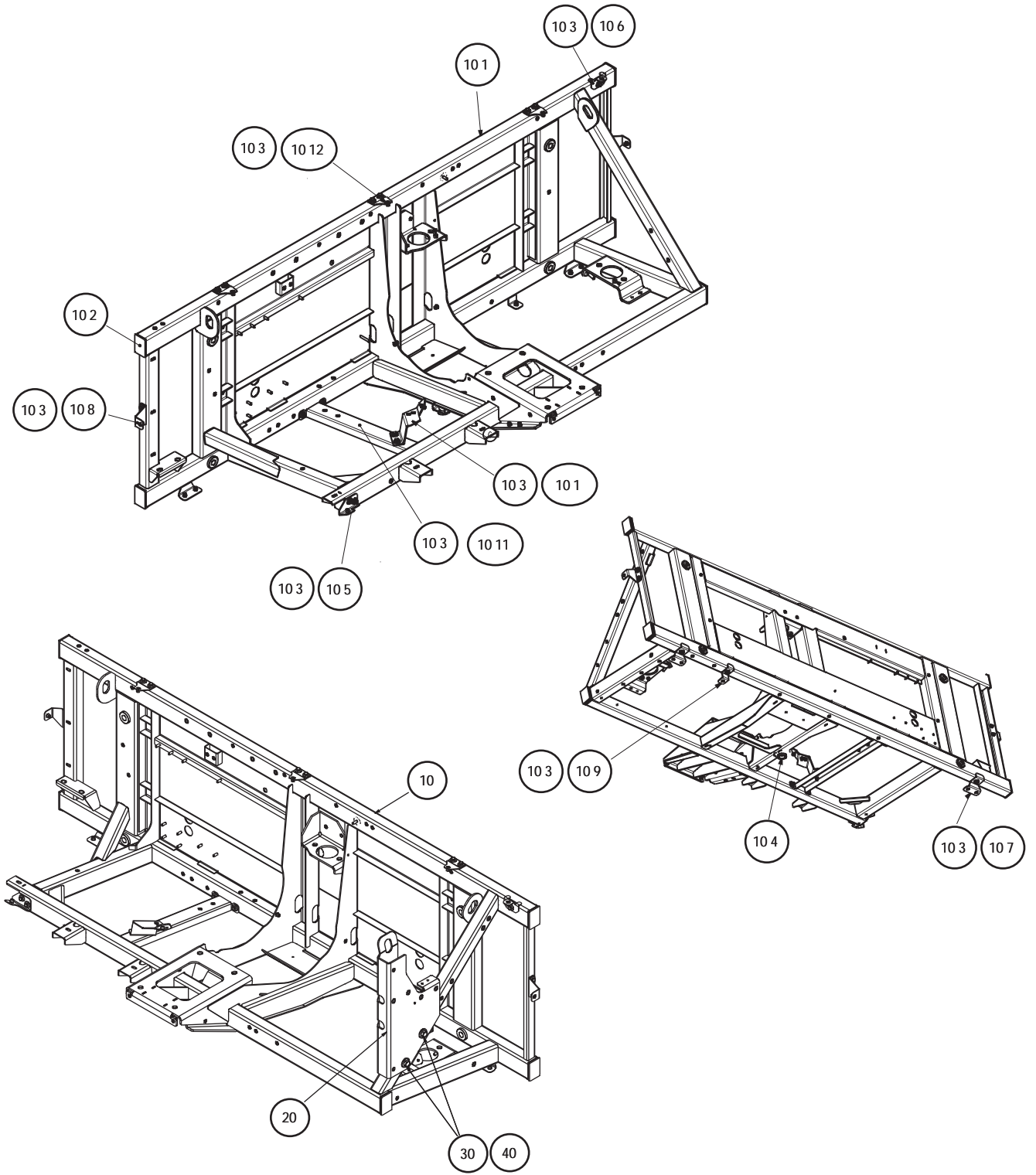


Item Number	Part Number	Part Description	Quantity
10	30-60153-00	Muffler	1
20	30-60154-00	Pipe, Exhaust	1
30	34-60087-20	Screw, Cap, Socket Head, M8 x 20mm	4
40	34-00945-08	Washer, Spring, M8	4
50	34-60152-00	Screw, Hex, Washer Head, M8 x 25mm	3

Frame Assembly



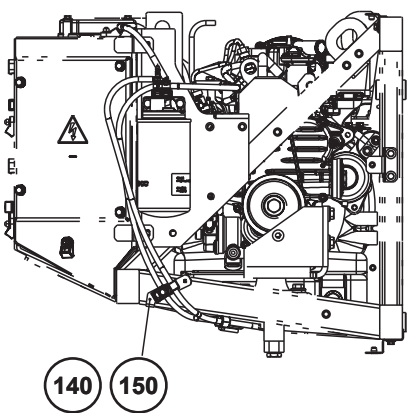
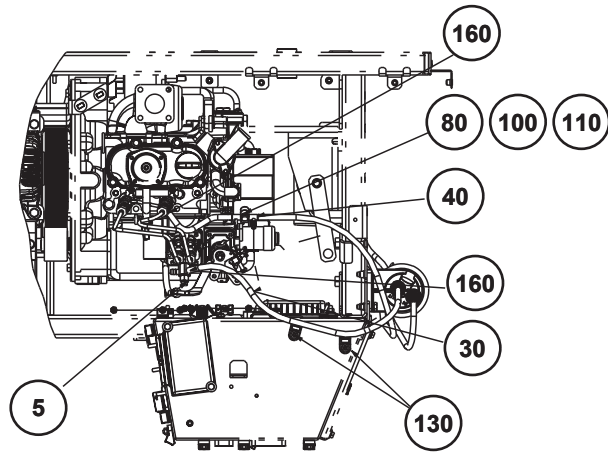
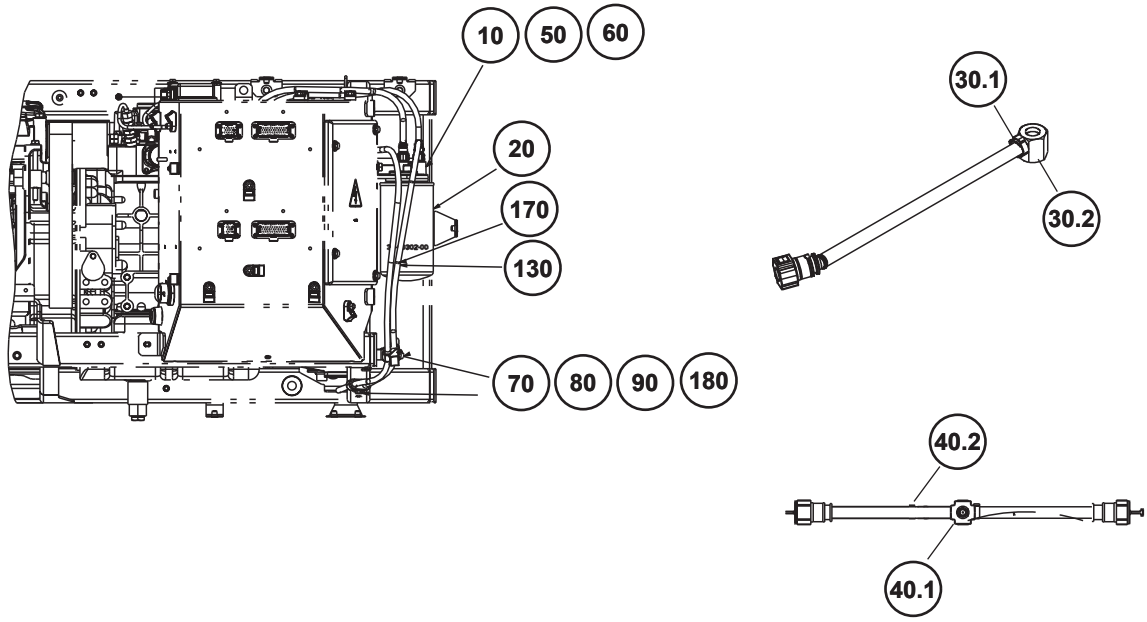
Frame Assembly



Item Number	Part Number	Part Description	Quantity
10	79-60908-01	Frame Assembly, NDTP	1
10.1	86-61483-01	Chassis Assembly, NDTP	1
10.1.1	67-60992-00	Tube, Rectangle, 60 x 40 x 3mm	1
10.1.2	67-60993-00	Tube, Rectangle, 60 x 40 x 3mm	1
10.1.3	67-60994-00	Tube, Rectangle, 80 x 40 x 3mm	1
10.1.4	67-60995-00	Tube, Rectangle, 80 x 40 x 3mm	1
10.1.5	67-60996-00	Support, Frame, 3mm Thick	1
10.1.6	67-60997-00	Support, Frame, 3mm Thick	1
10.1.7	67-60998-00	Tube, Rectangle, 60 x 40 x 3mm	1
10.1.8	67-60999-00	Tube, Rectangle, 40 x 40 x 3mm	1
10.1.9	67-61005-00	Tube, Rectangle, 60 x 40 x 3mm	1
10.1.10	67-61006-00	Tube, Rectangle, 60 x 40 x 3mm	1
10.1.11	67-61007-00	Panel, Bottom, 2mm Thick	1
10.1.12	67-61008-00	Panel, Top, 2mm Thick	1
10.1.13	67-61009-01	Support, Comp, 5mm Thick	1
10.1.14	67-61010-00	Support, 2mm Thick	1
10.1.15	67-61011-00	Support, Rear, 5mm Thick	1
10.1.16	67-61012-00	Support, Front, 4mm Thick	1
10.1.17	67-61013-00	Support, Bottom, 5mm Thick	1
10.1.18	68-71003-00	Support, Frame, 3mm Thick	1
10.1.19	68-71004-00	Support, Frame, 3mm Thick	1
10.1.20	67-61079-00	Support, Cond, NDTP	1
10.1.21	68-71093-00	Support, Cond, NDTP	1
10.1.22	68-71007-00	Support, Evap, 3mm Thick	4
10.1.23	68-71008-00	Tube, Rectangle, 40 x 40 x 3mm	1
10.1.24	68-71009-00	Liftlug, 5mm Thick	1
10.1.25	68-71010-00	Liftlug, 5mm Thick	1
10.1.26	68-71011-00	Gusset, Frame, 4mm Thick	1
10.1.27	68-71012-00	Support, Cond, 3mm Thick	2
10.1.28	48-60538-00	Spacer, 34mm, 16mm	4
10.1.29	67-61025-00	Angle, 2mm Thick	1
10.1.30	34-60338-15	Stud, Weld, M6 x 15	1
10.1.31	68-71053-00	Support, 3mm Thick	1
10.1.32	68-71091-00	Brace, NDTP	1
10.1.33	68-71089-00	Angle, NDTP	1
10.1.34	68-71090-00	Angle, NDTP	1
10.1.35	68-71092-01	Gusset, NDTP	2
10.1.36	34-00876-30	Screw, Cap, Hex Head, M8 x 30mm, 1.18	1
10.1.37	68-71120-00	Plug, Tube, NDTP	1
10.2	58-60612-00	Protector, Tube, Rectangle, 60 x 40	5
10.3	34-60068-20	Screw, Captive Washer, M6 x 20mm	22
10.4	44-60117-00	Receptacle, EPDM	1
10.5	67-61053-00	Bracket, NDTP	1
10.6	67-61051-00	Bracket, 2mm Thick	1
10.7	67-61050-00	Support, Skin, 2mm Thick	2
10.8	67-61052-00	Bracket, 2mm Thick	2

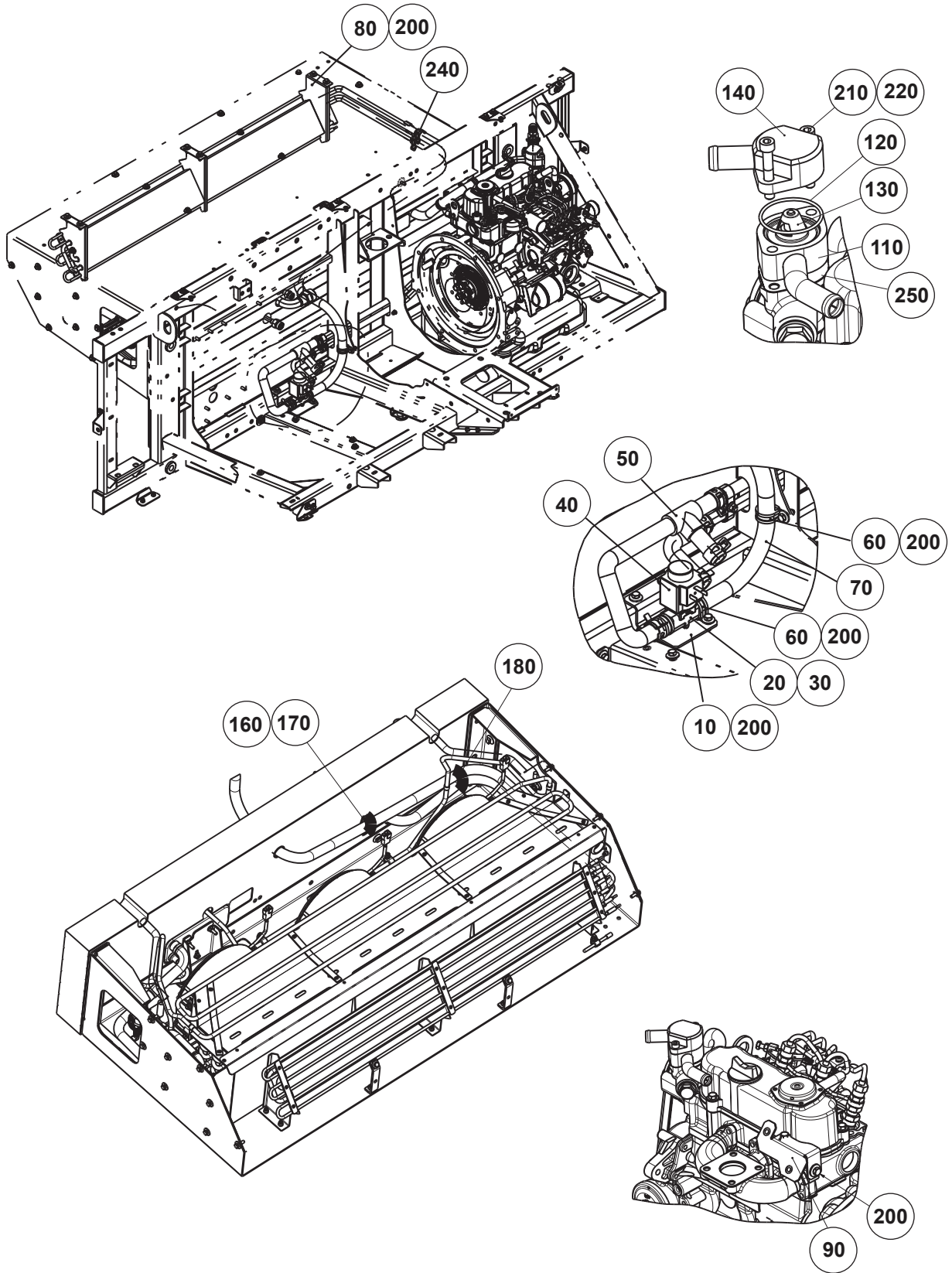
Item Number	Part Number	Part Description	Quantity
10.9			
10.1	67-61133-01	Bracket, Tube	1
10.11	67-61132-00	Support Channel, 2mm Thick	1
10.12	67-61157-00	Support, Hinge	3
20	67-61114-01	Bracket, Support	1
30	34-00873-65	Screw, Cap, Hex Head, M10 x 65mm, 2.56 Long	2
40	34-60085-10	Washer, Conical, M10 x 22	2
60	68-71128-00	Bracket, 4mm Thick	1
70	42-00183-00	Trim, Flexible, Fine Pebble-Black	0.17

Fuel System Kit

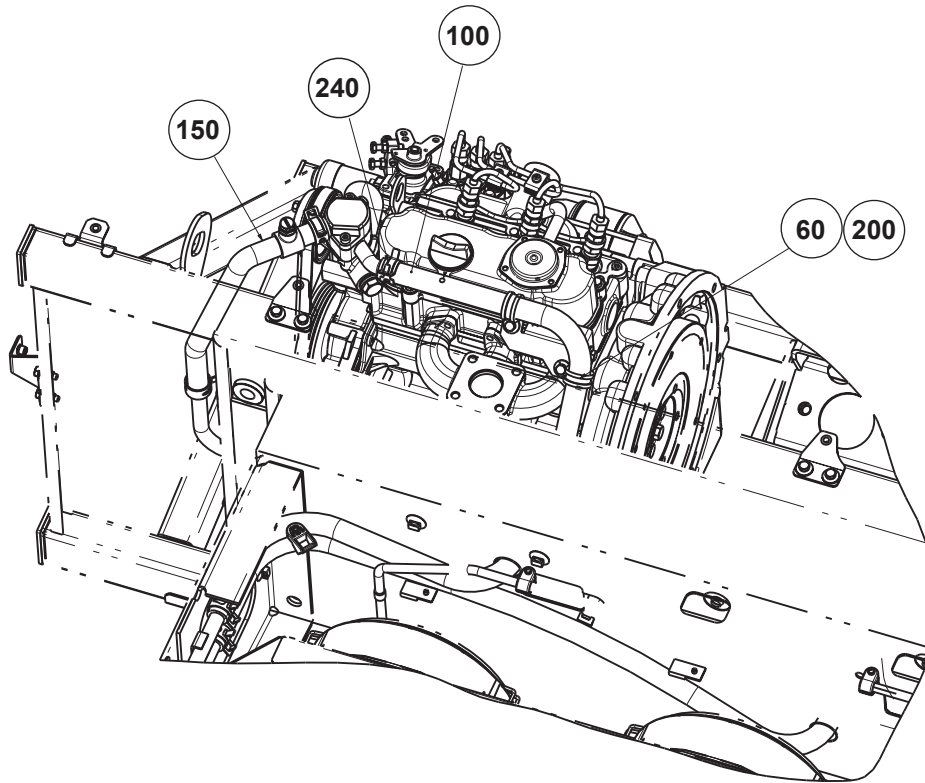


Item Number	Part Number	Part Description	Quantity
5	25-34359-00	Washer, Crush	2
10	48-60532-10	Filter Head Mount, Gas Oil	1
20	30-00302-00	Filter, Fuel, Secondary	1
30	79-60879-00	Hose Assembly, Fuel - Includes:	1
30.1	44-00293-06	Clamp, Stepless Ear	1
30.2	40-60261-00	Fitting, Fuel	1
40	79-60880-00	Hose Assembly, Fuel - Includes:	1
40.1	40-60236-00	Fitting, Fuel	2
40.2	44-60042-03	Collar	4
50	34-60095-30	Washer, Lock, M8 x 18MM	2
60	34-01153-30	Screw, Cap, Hex Head, M8 x 30MM	2
70	44-60006-01	Clamp	2
80	34-60095-27	Washer, Lock, M6 x 14MM	3
90	34-01336-40	Screw, Cap, Hex Head, M6 x 40MM	2
100	40-60010-01	Plug, Female, ORS, 1/4 Tube	1
110	34-01336-30	Screw, Cap, Hex Head, M6 x 30MM	1
130	44-60024-05	Sta-Strap	4
140	67-61089-00	Support Bracket	1
150	34-60068-20	Screw, Captive Washer, M6 x 20MM	1
160	44-00293-06	Clamp, Stepless Ear, 7/16 Diameter	2
170	58-01449-00	Swivel, Ty-Wrap, Base	1
180	44-60163-01	Clamp	1

Heater Kit

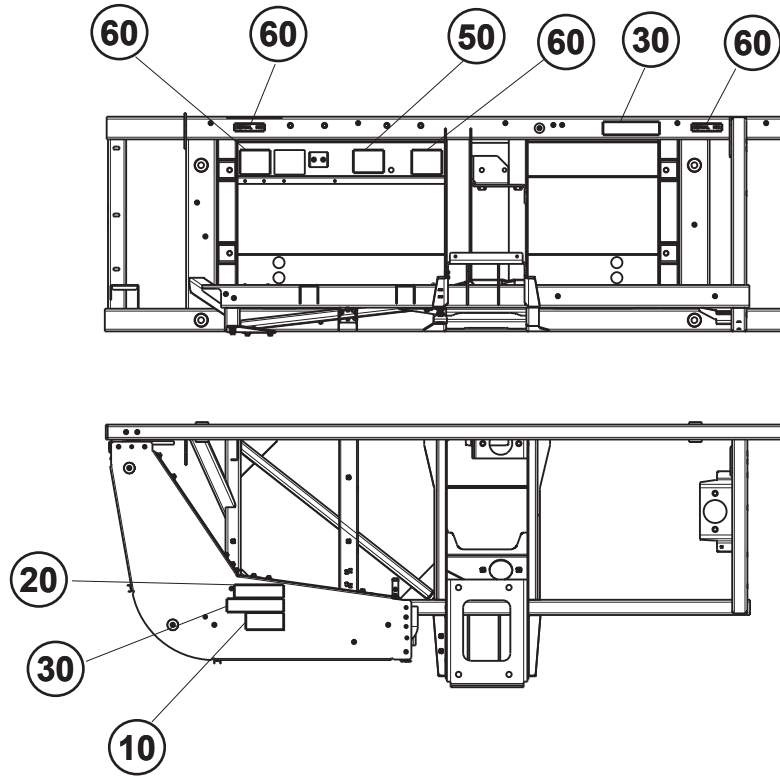


Heater Kit



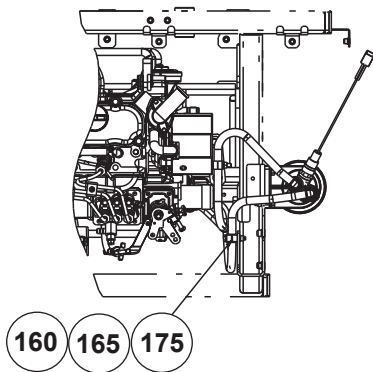
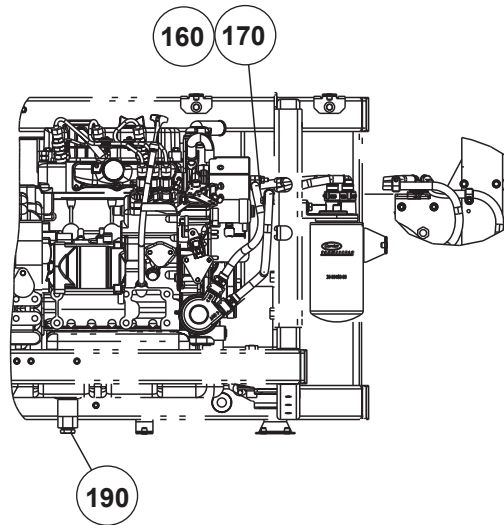
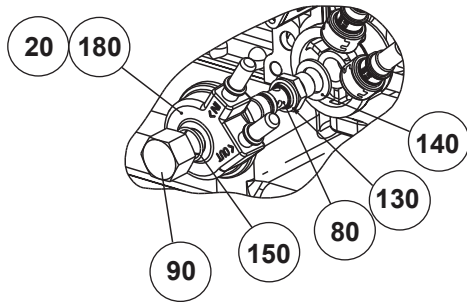
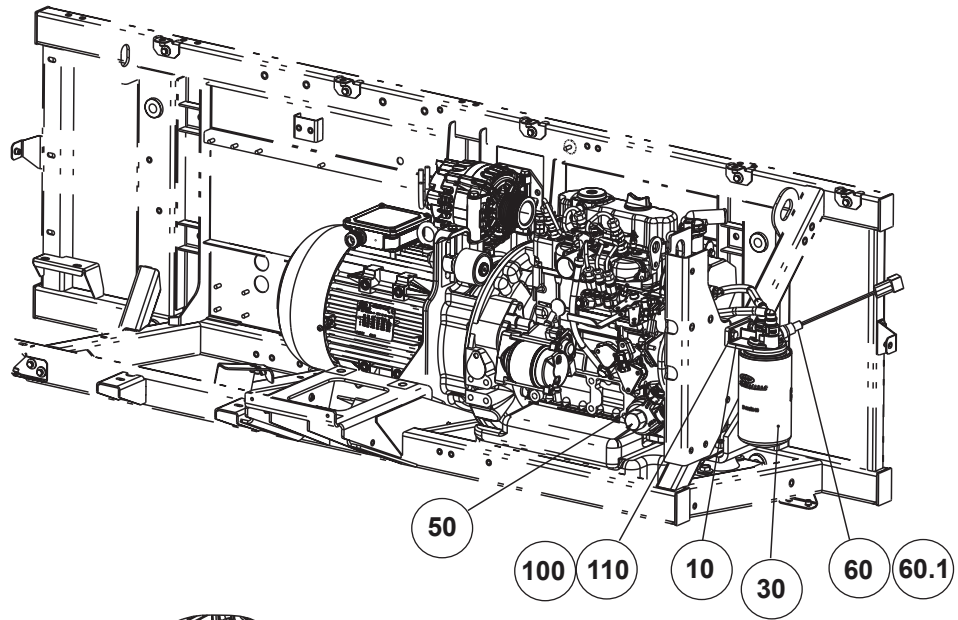
Item Number	Part Number	Part Description	Quantity
10	67-61167-00	Support Valve Option, Nordic	1
20	14-60036-00	Valve, Tubing, 1/2	1
30	48-60013-00	Nipple, Straight, 1/2 BSP, 16 Diameter	2
40	22-60825-00	Coil, VDC, 18W, 12VDC	1
50	58-70084-00	Hose, Water Option, Nordic	1
60	44-60044-10	Clamp, 7/8 Cushioned	5
70	58-60139-120	Hose, 16 Diameter, 1200 Long	1
80	08-60246-00	Coil, Water Option, Nordic	1
90	67-61168-00	Bracket, Clamp Option, Nordic	1
100	58-60139-85	Hose, 16 Diameter, 850 Long	1
110	48-60572-00	Spacer Assembly Option, Nordic	1
120	42-00243-24	O-Ring, 1.58 x 1.74	1
130	25-15003-01	Thermostat, 82 DC, 15531-73012	1
140	48-60573-00	Cover Assembly Option, Nordic	1
150	58-70085-00	Hose Assembly Option, Nordic, D722	1
160	44-60061-00	Base, Ty-Wrap	1
170	34-01234-01	Rivet, Blind, 0.188 Diameter, 0.137 - 0.354	1
180	44-60024-25	Sta-Strap, 0 - 105mm Diameter Bundle	1
200	34-60068-20	Screw, Captive Washer, M6 x 20mm	15
210	34-60082-40	Screw, Head Chc, M6 - 40	2
220	34-60084-06	Washer, Lock, M6 x 10 x 0.9	2
240	44-60011-04	Clamp, 24mm Diameter	3
250	25-36676-00	Gasket, Thermostat Housing	1

Label Kit



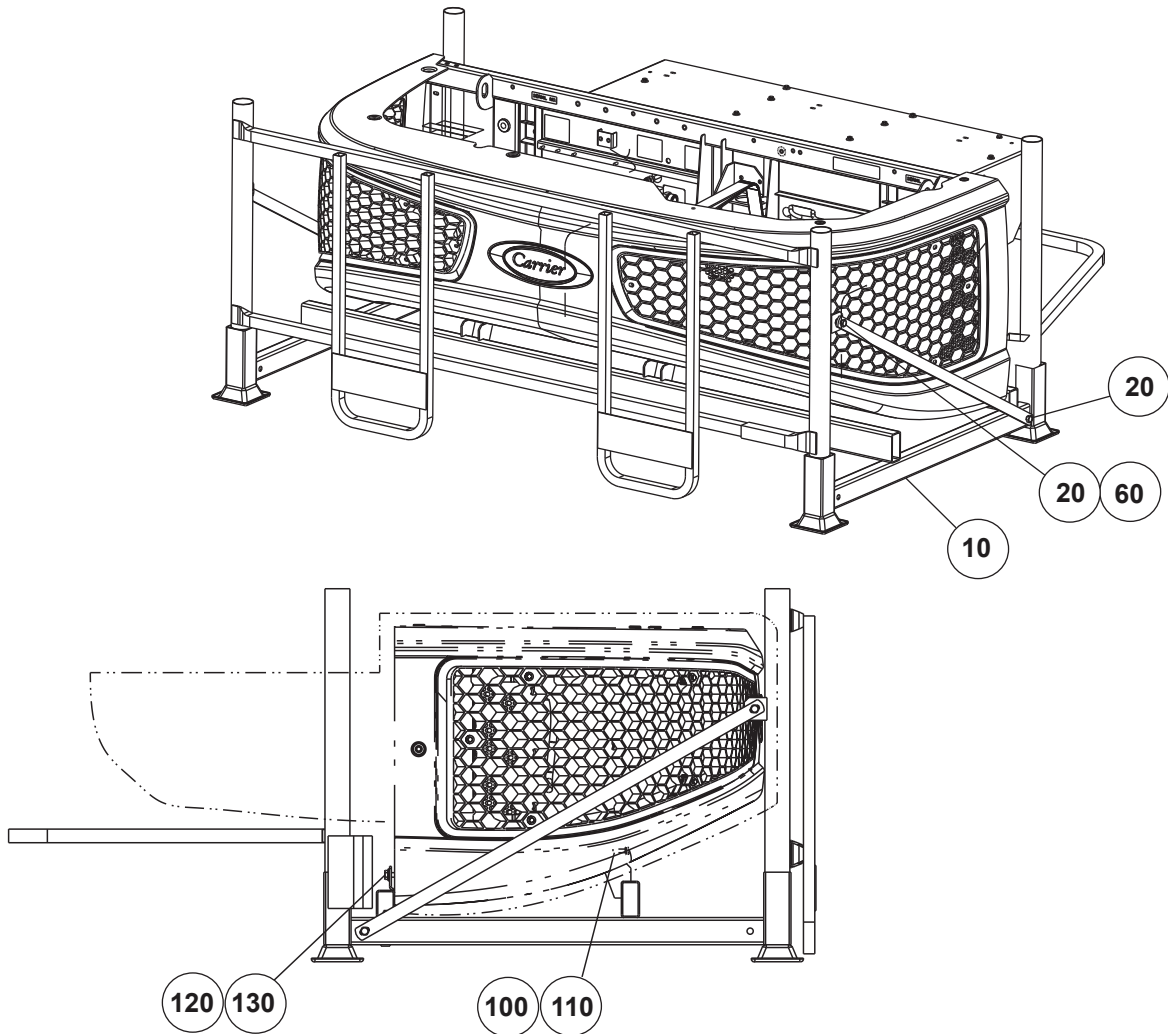
40 Unit Label Decal (Drawing not available)

Item Number	Part Number	Description	Quantity
10	62-04160-00	Decal, R-404A Only	1
20	62-61398-00	Decal, IPE, NDTP	1
30	62-61655-00	Decal, Safety, NDTP	2
40	62-04260-05	Decal, Logo, NDTP, S9	2
50	62-61774-00	Label	1
60	60-01060-10	Printed Decal, Warranty ID	1



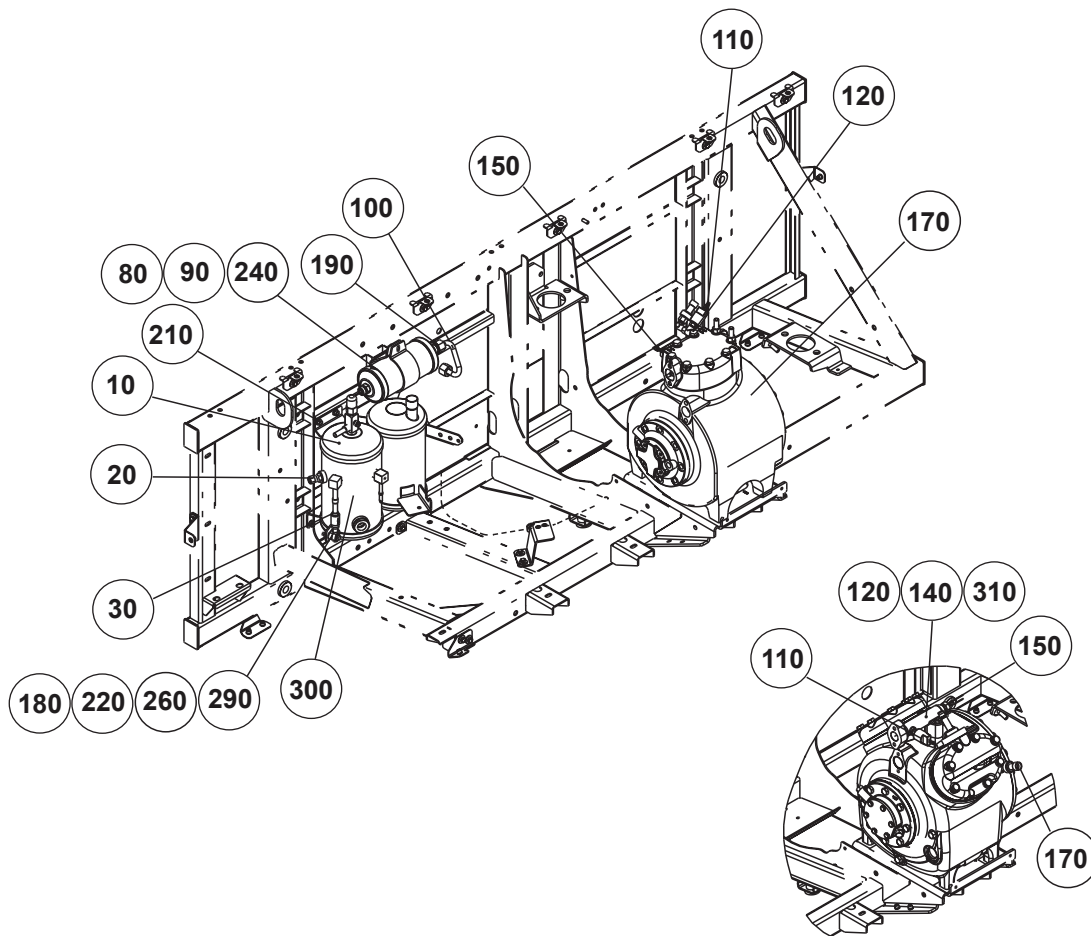
Item Number	Part Number	Part Description	Quantity
10	48-60532-12	Head, Filter, Oil	1
20	48-60533-00	Adapter, Oil	1
30	30-60143-00	Filter, Oil	1
50	79-60905-00	Tube Assembly, Oil	2
60	12-00592-01	Switch, Pressure, Oil	1
60.1	22-50078-02S	Connector, 2-Pin	1
80	40-60358-00	Adapter, Oil	1
90	40-60378-00	Nut, M18 x 1.5	1
100	34-60095-30	Washer, Lock, M8 x 18mm	2
110	34-01153-30	Screw, Cap, Hex Head, M8 x 30mm	2
130	42-00243-32	O-Ring	1
140	34-00944-48	Washer, Flat, M18	1
150	42-00243-15	O-Ring	1
160	44-60010-02	Clamp, Tube	2
165	34-60095-27	Washer, Lock, M6 x 14mm	1
170	34-60089-06	Nut, Lock	1
175	34-01336-35	Screw, Cap, Hex Head, M6 x 35mm	1
180	42-00243-31	O-Ring	1
190	79-60704-00	Fitting Assembly	1

Packaging Kit



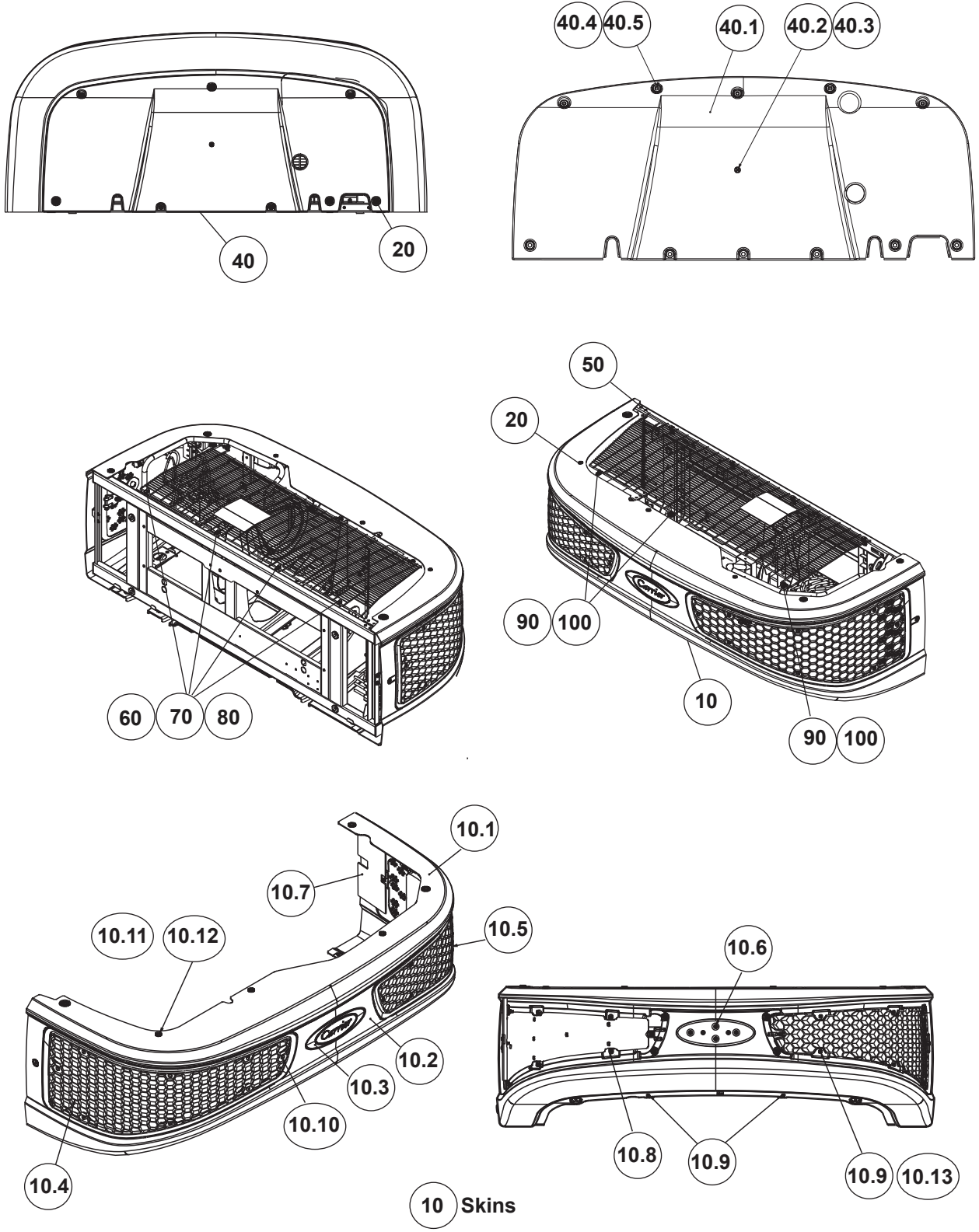
Item Number	Part Number	Part Description	Quantity
10	79-60904-01	Support Assembly	1
20	34-00662-12	Washer, Plain, 5/16 Medium, 0.062	8
60	34-00945-08	Washer, Lock, M8 Spring	8
100	34-00876-30	Screw, Cap, Hex Head, M8 x 30mm, 1.18	10
110	34-60085-08	Washer, 8 x 16	2
120	34-00873-80	Screw, Cap Hex Head, M10 x 80mm, 3.15	2
130	34-60085-10	Washer, Conical, M10 x 22	2

Refrigerant Kit



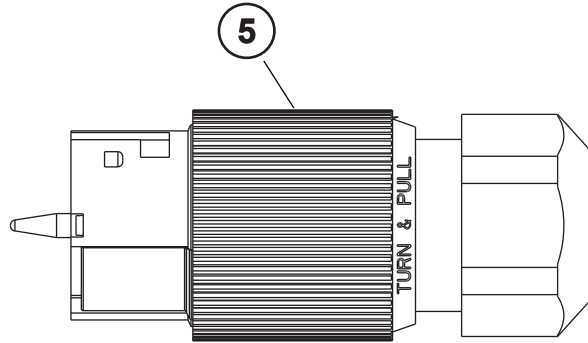
Item Number	Part Number	Part Description	Quantity
10	65-60104-05	Receiver	1
20	14-00272-01	Valve, Relief	1
30	14-00181-09	Check Valve	1
80	79-60541-00	Clamp, Drier	1
90	14-00326-03	Filter Drier	1
100	82-60311-00	Tube	1
110	12-00309-04	Switch, Pressure	1
120	14-00425-00	Adapter	1
140	17-44161-00	Gasket	1
150	12-00284-00	Thermistor	1
170	12-00352-13	Transducer	1
180	44-60010-01	Clamp, Tube	1
190	42-00243-09	O-Ring	1
210	34-60089-06	Nut, Lock, M6	4
220	34-01336-35	Screw, Cap, Hex Head, M6 x 35mm	1
240	34-60068-20	Screw, Captive Washer, M6 x 20mm	3
260	34-60095-27	Washer, Lock, M6 x 14	2
290	34-01184-56	Nut, Lock, M6, Nylock	1
310	34-00503-28	Screw, Socket Head, 5/16 - 18	2

Skins Kit




Item Number	Part Number	Part Description	Quantity
10	79-60863-00	Skin Assembly	1
10.1	62-61648-01	Logo, Carrier	1
10.2	58-60975-00	Support, Logo	1
10.3	58-60973-00	Grille, Condenser	1
10.4	58-60974-00	Panel, Access, Roadside	1
10.5	34-60263-08	Washer, Quicklock	10
20	34-60324-30	Screw, Round Head, M6	7
40	79-60886-00	Panel Assembly, Bottom	1
40.1	44-60119-00	Pin, Clinch	1
40.2	34-60044-05	Screw, Torx, M6	1
50	73-60138-00	Grille, Top	1
60	44-60010-00	Clamp, Tube, 1/4	3
70	34-01336-30	Screw, Cap, Hex Head, M6 x 30mm	3
80	34-60095-27	Washer, Lock, M6	3
90	44-60044-51	Clamp, Tube, 1/4, Cushioned	3
100	34-60068-20	Screw, Captive Washer, M6 x 20mm	5

Standby Plug



Item Number	Part Number	Description	Quantity
5	22-02977-00	Plug, Female, 250V, 50A, 3-Phase	1
NS	22-02324-02	Bushing, 0.177 x 0.29, 8 AWG	4

 **WARNING:** Breathing diesel engine exhaust exposes you to chemicals known to the State of California to cause cancer and birth defects or other reproductive harm.

- Always start and operate engine in a well-ventilated area.
- If in an enclosed area, vent the exhaust to the outside.
- Do not modify or tamper with the exhaust system.
- Do not idle the engine except as necessary.

For more information, go to www.P65warnings.ca.gov/diesel



North America
Carrier Transicold
700 Olympic Drive
Athens, GA 30601 USA

Central America and Mexico
Carrier Transicold
Ejercito Nacional 253-A Piso 5
Colonia Anahuac 11320 Mexico D.F.