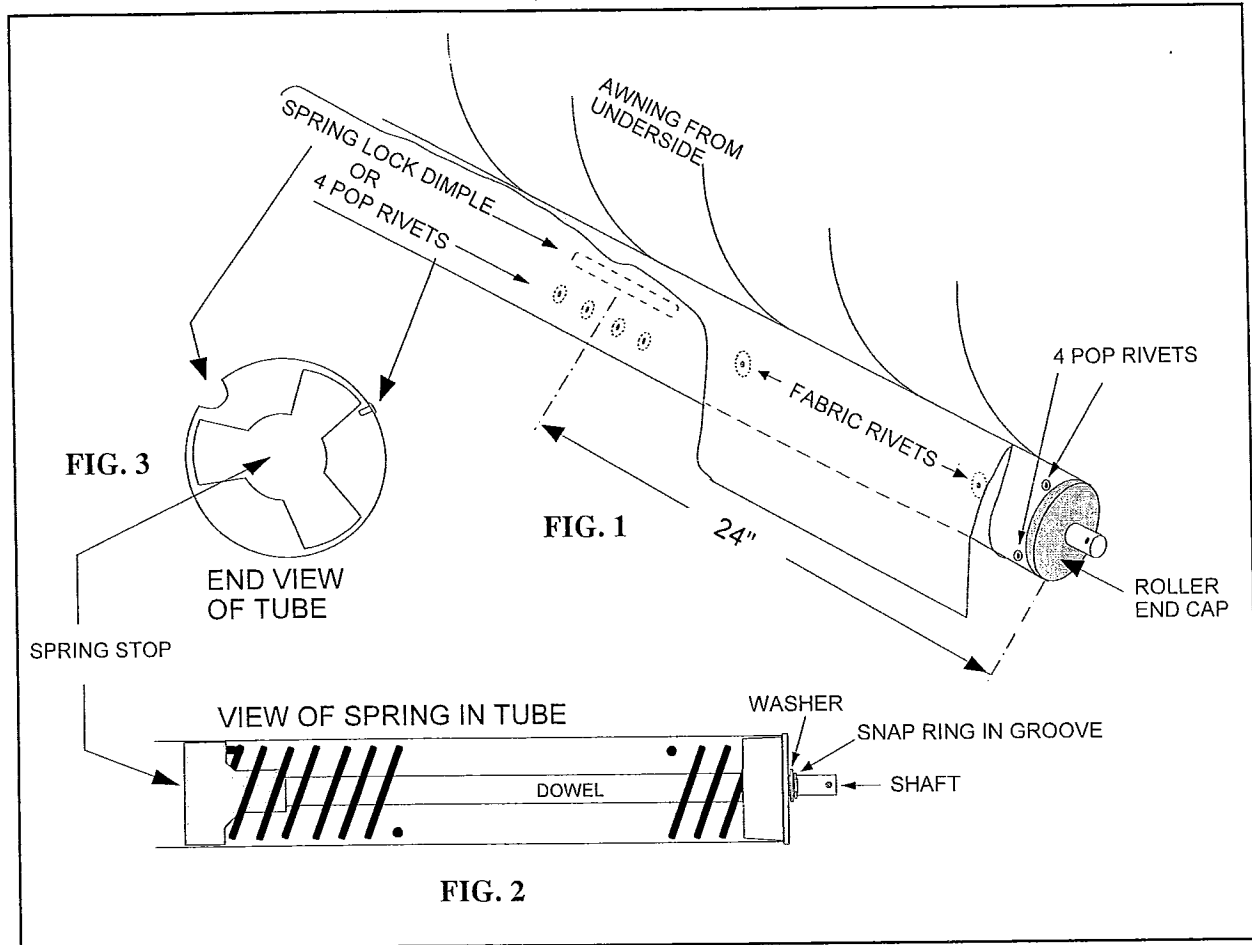


R5W

WINDOW AWNING SPRING REPLACEMENT



A. TO REMOVE PRESENT SPRING:

1. Drill out 3 rivets in end cap (#20 or 3/16 drill).
2. Pull out spring assembly using vise grips.
Grip shaft and pull with twist motion to by-pass fabric rivets.

B. TO INSTALL SPRING:

1. Line up the space on the spring stop with fabric rivet so you can insert spring without hitting rivets.
2. Insert spring into tube. Drill and secure end cap using #20 or 3/16 drill and 5/32 x 3/16 pop rivets.
3. **IF NECESSARY**, go to Step "C".

C. TO SECURE INSIDE CASTING:

1. Check tube for spring lock dimple. Shown above **Fig.1**.
2. If not there, then drill 4 holes 1/4" apart as shown in **Fig.1** and insert sturdy pop rivets (lift valance and drill through fabric and tube in line with existing rivets).
3. Wind-up as per instructions on reverse side.

INSTRUCTIONS FOR WINDING TORSION SPRING

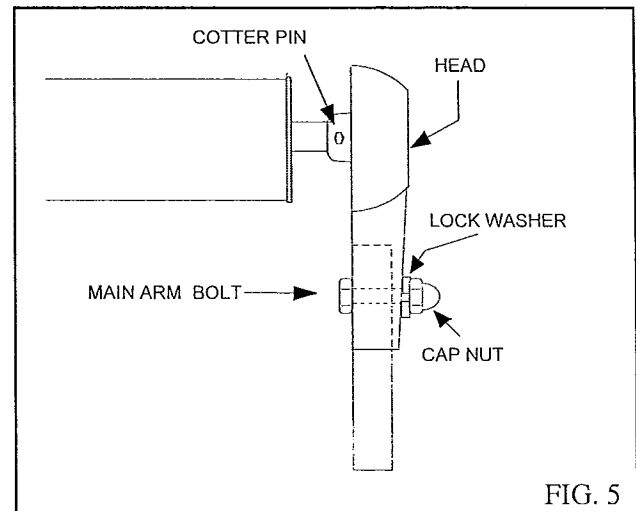
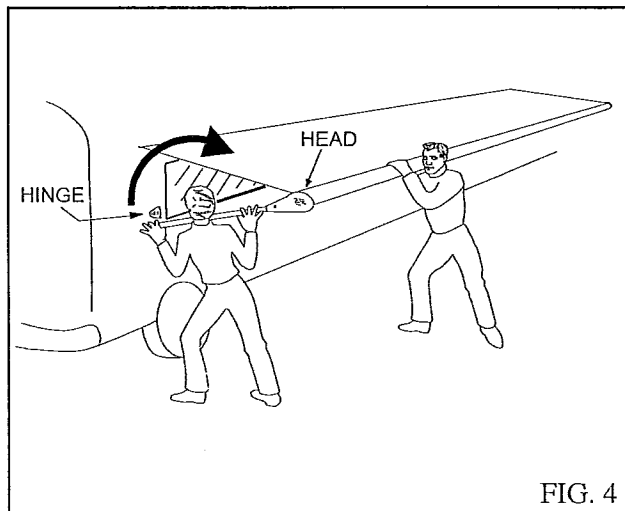
The single torsion spring is wound by turning the head casting clockwise (from outside, facing the head), using the support arm bar as a lever (see **Fig.4**). Insert the bar into the head and secure it in place with 1 1/4" bolt, lock washer and cap nut (see **Fig.5**).

Wind the spring according to the awning size, using the guide below:

5' or under	-18 turns
6' to 10'	- 10 to 13 turns
10' to 17'	- 15 to 17 turns
17' to 21'	- 18 to 22 turns

Then swing the assembled arm to the coach and bolt onto hinge.

Now test the spring tension and adjust accordingly. The awning should roll up and snap closed firmly. Because of variations in spring temper, you may have to add or deduct a few turns to reach the right tension.



Using the pull tab to control speed allow the awning to roll closed. Spiral the tab as shown in **Fig.6** to prevent cloth build-up. Release the tab when the roller is about 4 inches from the coach, allowing the awning to snap closed.

When closed, there should be an even amount of exposed roller at either end of the awning. If not, unroll and close the awning again, giving the roller a lateral push in the directions needed.

Please read the Owner's Manual carefully. It contains important information regarding the care and treatment of your awning. For safety, always close the awning when the vehicle is left unattended or when weather threatens.

