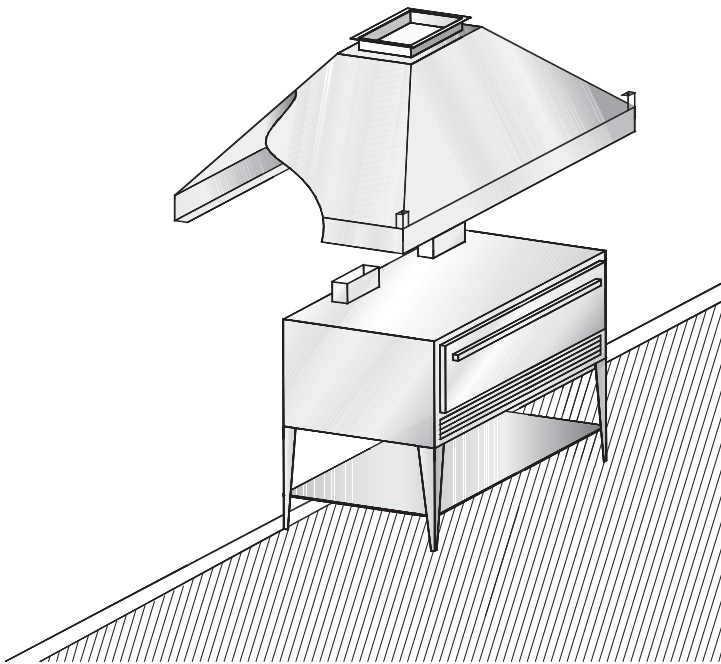


Model **HAI-PP**

Non-filtered hood

D



Description :

HCE wall-type or central tapered exhaust hood without filters.
 Model HAI-PP.

Specifications :

- Constructed of sturdy 18-gauge (1.2 mm) stainless steel
- Up to 16' 0" (4,877 mm) in length
- Easy installation
- Many options available (see reverse)
- Quick delivery

Construction :

Exposed hood surface: type 430 stainless steel (304 or 316 optional) with #4 finish (brushed). Non-exposed hood surface: stainless steel with #2B finish. Minimum 18-gauge (1.2 mm) thickness. All visible welded joints are polished to match original finish. To meet NFPA- 96 requirements.

Installation :

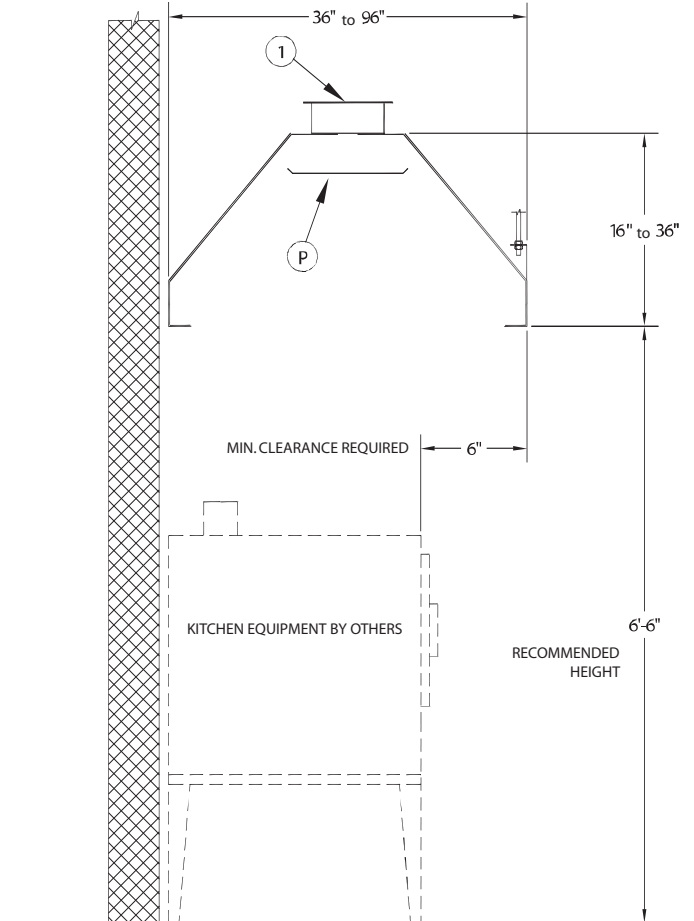
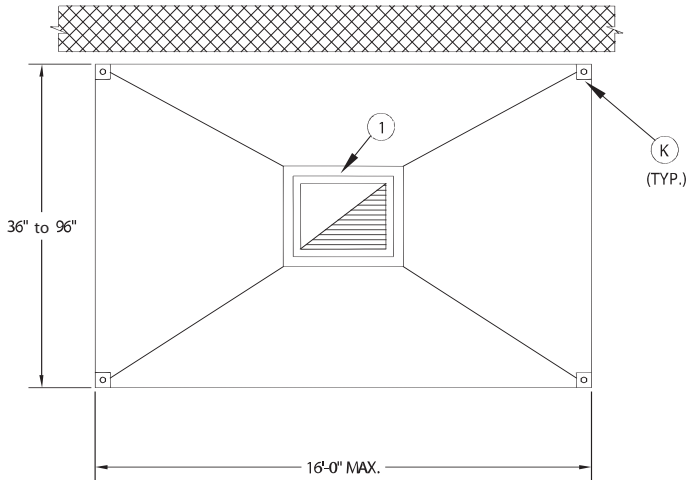
Suspension (recommended height)

The hood should be installed 6' 6" (1,981 mm) from the floor.

Suggested model

- All types of ovens
 (pizza, bread, toaster)
- For laboratories

D Non-filtered hood



Optional accessories: (see section "K" for details)

1	Exhaust collar (3" high)
A	cULus-listed exhaust collar with fire damper
B	cULus-listed exhaust collar with balancing damper
I	PAC-02 programmable control panel
J	End skirts should be used to maximize hood performance
K	Hanging brackets
P	Velocity plate