

Level Railing Installation Guide

- Please read all instructions completely before starting any installation of DekPro™ Prestige Railing Systems.
- **SAFETY:** Always be safe and follow all instructions when using power tools and always wear eye protection!
- Proper blocking must be in place before mounting posts.
- Rail Sections come in nominal 6ft & 8ft lengths. (Actual rail lengths are 70" and 96.75" respectively).
- Residential default finished rail height when using DekPro™ bracket installation Quick Jig is 38" and Commercial is 42".
- Posts are available in RESIDENTIAL rated (3" & 4" posts w/ flange and 4" Sleeve) and COMMERCIAL (3" post w/ flange)
- DekPro™ Prestige Railings should be installed using good building principles in accordance with local building codes and the installation guidelines. Consult your local building code official and check all code requirements before installing railings. DekPro™ or its distributors shall not be held liable for improper or unsafe installations.
- It is the responsibility of the installer to obtain all required building permits and meet code requirements.
- DekPro™ Prestige Railing has been tested by ATI and meets testing standards for IRC and IBC construction codes AC273. Test report CCRR # 0233.
- For questions contact Absolute Distribution Inc., U.S. national distributor for DekPro™ Prestige Railing Systems at 800-335-5909 or www.AbsoluteDist.com

Recommended Tools for Installation

- Level
- Mallet / Hammer
- Speed Square
- Cordless Drill / Impact driver
- Quick clamp grips
- Pencil
- Tape Measure
- Miter saw with high tooth count carbide blade
- 13/64" drill bit (Optional)
- T30 Torx screwdriver bit
- #2 Phillips - Long Bit

Installation Videos



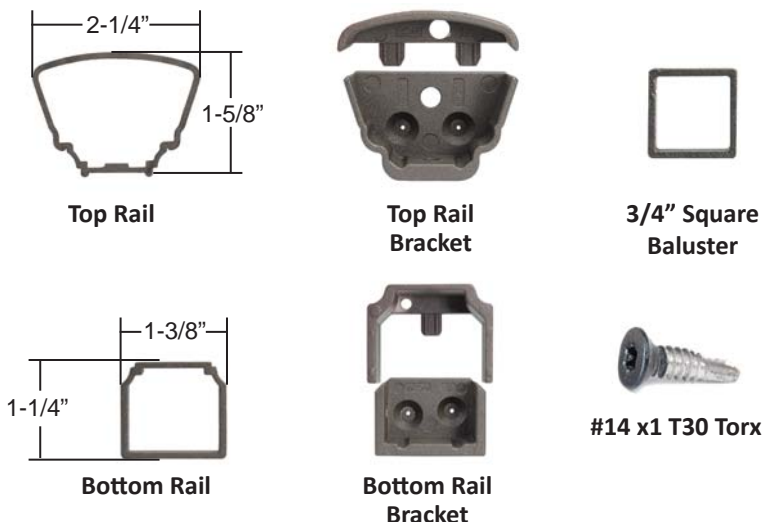
SCAN ME

INSTALLATION VIDEOS
AVAILABLE ONLINE:

[WWW.DEKPROMFG.COM/
INSTALLATION.HTML](http://WWW.DEKPROMFG.COM/INSTALLATION.HTML)

Rail Profiles & Hardware

Rail Components



Foot Block



All fasteners for attaching brackets to posts and rails are packaged with rail kits. Fasteners for post base are NOT provided due to varying installation circumstances. #14 T30 Torx, self-drilling screws included. 2 screws for each bracket attachment and 1 screw for securing rail profile to the bracket. Foot block assembly has 1 self-drilling screw for the foot block and two for the shoe. All screws are color matched to the rail. Use a T30 Torx screwdriver bit for a sure fit.

Post Placement & Installation

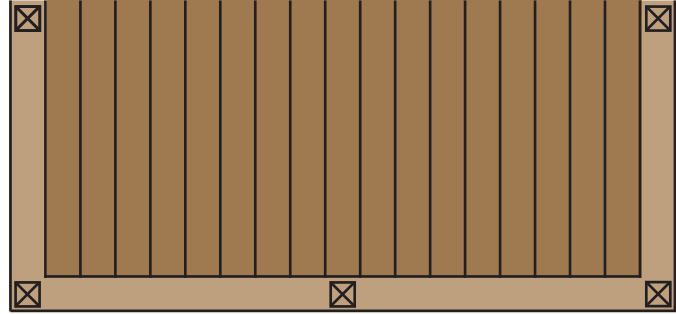
Step 1: Layout

Lay out post placement.
If stairs are involved, it may be beneficial to start with post placement at top of stair run.

Ensure proper blocking is in place before mounting posts.

Actual Railing Lengths:

- 70" for 6' rail
- 96-3/4" for 8' rail



Step 2: Mount Post

- Set post in place and mark four mounting holes.
- Pre-drill holes for mounting hardware, then fasten post with mounting hardware (not included). See below for mounting options.
- Check that post is plumb and shim if necessary (shims included).
**Note: Optional Quick jig can be used to plumb posts using the attached 2 way level.*
- For 4" sleeve - Slide sleeve over existing wood 4x4 and furr-out as necessary.



Mark and Pre-drill Holes

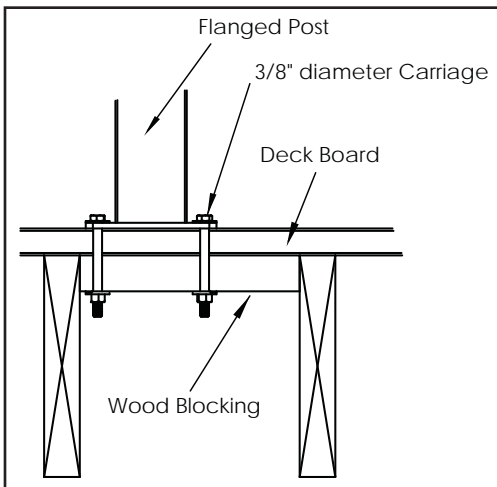


Fasten Post to Deck Surface

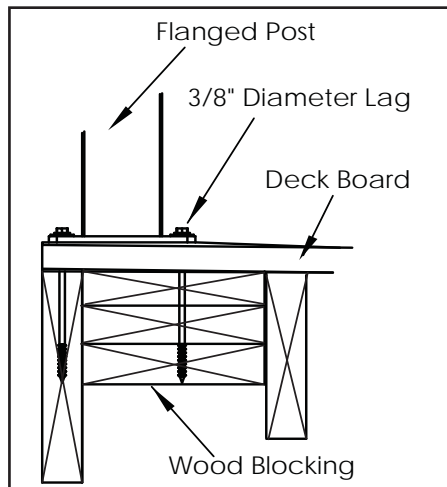


Post Mounting Options

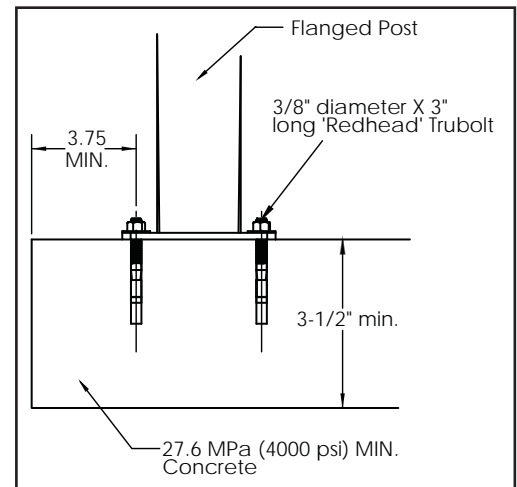
Surface Mount using Carriage Bolt



Surface Mount using Lag Bolt



Surface Mount using Concrete Anchor



Level Rail Installation

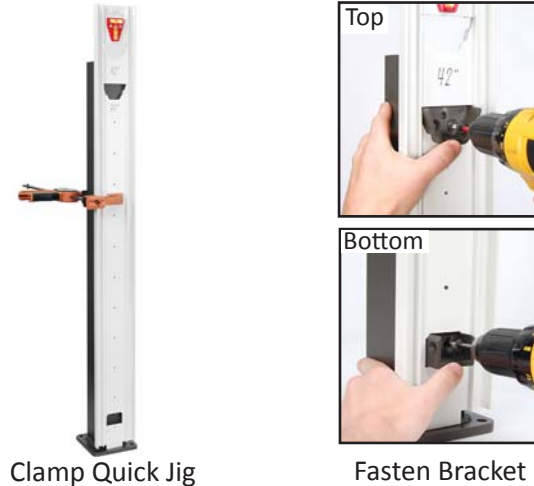
Step 3a: Attaching Brackets to Post

Standard Installation - **Using Prestige Quick Jig**

- Clamp Prestige™ Quick Jig to post.
- Insert brackets into the Quick Jig
- Use T30 Torx self-drilling screws to fasten bracket.
 - Pre-drill holes if desired
- Remove Quick Jig.

**Note: Quick Jig is also used to plumb posts using the attached 2 way level.*

**Note: Default finished rail height will be 38" for residential and 42" for commercial when using Prestige™ Quick Jig with 3-1/8" foot block.*



Clamp Quick Jig

Fasten Bracket

Step 3b: Attaching Brackets to Post

Standard Installation - **Without Quick Jig**

Bottom Rail Bracket Installation:

- Measure up 2-1/2" from the top of the base plate and mark a horizontal line.
- Center the bracket on the post with the bottom edge of the bracket at the line you marked previously
- Use T30 Torx self-drilling screws to fasten bracket. (Pre-drill holes if desired)

**Note: Installation for bottom bracket is the same for 38" rail and 42" rail using the 3-1/8" foot block.*

Top Rail Bracket Installation:

- **For 38" Rail:** Measure up 35-3/4" from the top of the base plate and mark a horizontal line
- **For 42" Rail:** Measure up 39-3/4" from the top of the base plate and mark a horizontal line
- Center the bracket on the post with the bottom edge of the bracket at the line you marked previously
- Use T30 Torx self-drilling screws to fasten bracket. (Pre-drill holes if desired)

**Note: Default finished rail height will be 38" for residential and 42" for commercial using standard installation procedure with 3-1/8" foot block.*



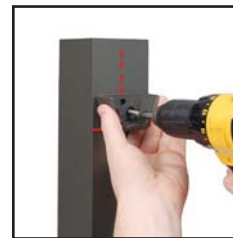
Measure up 2-1/2" from top of base plate



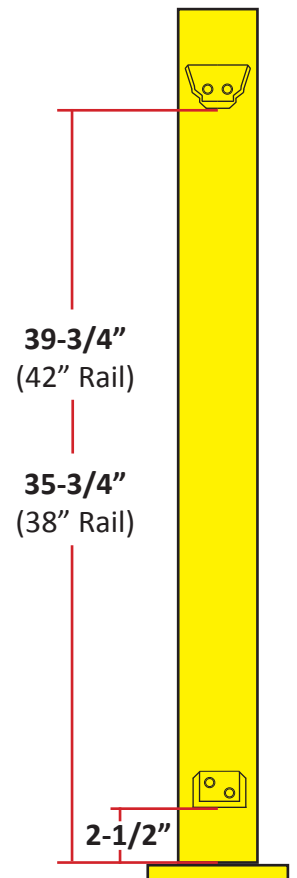
Center bracket and attach to post



Measure up 35-3/4" from top of base plate (38" rail example).



Center bracket and attach to post



DekPro™ Prestige Aluminum Rail System Level Railing Installation Instructions

Level Rail Installation (Continued)

Kit Includes:

- 1 - Top Rail (Baluster connectors installed)
- 1 - Bottom Rail (Baluster connectors installed)
- 2 - Bottom Rail Brackets
- 2 - Top Rail Brackets
- 1 - Foot Block Rail Support Kit

Aluminum Balusters

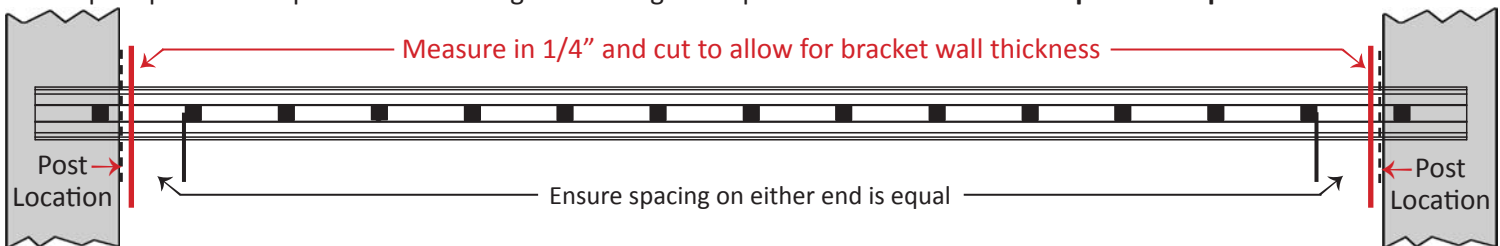
- 15 Balusters with 6' kit
- 21 Balusters with 8' kit

(All hardware is included to complete rail kit assembly)



Step 4: Cut Rails to Size

- Measure distance from inside of post to inside of post and deduct 1/4" from each end of rail. (1/4" deduction accounts for rail bracket wall thickness)
- Measure bottom rail ensuring equal and maximum spacing from end of rail to the first baluster on both ends of the bottom rail.
- Cut bottom rail with a high tooth count carbide blade.
- Repeat previous steps when measuring and cutting the top rail. **All cut ends must be painted to prevent oxidation.**



Step 5: Assemble Rail Kit

A.) Insert balusters onto the baluster connectors of the bottom rail. Insert first two balusters from one end of top rail and progressively work your way to the other end to attach top rail to balusters (rail packaging comes with a cardboard rail comb to help align and speed up rail kit assembly). **B.)** After all connectors are engaged with the balusters a ratchet strap can be used to pull rails together tightly or use a rubber mallet with a wood board (minimum 12" length) to distribute load evenly and to fully seat balusters into rails.

A



Insert balusters progressively, until all balusters are engaged with connectors.

B



Press rails together to ensure proper engagement throughout.



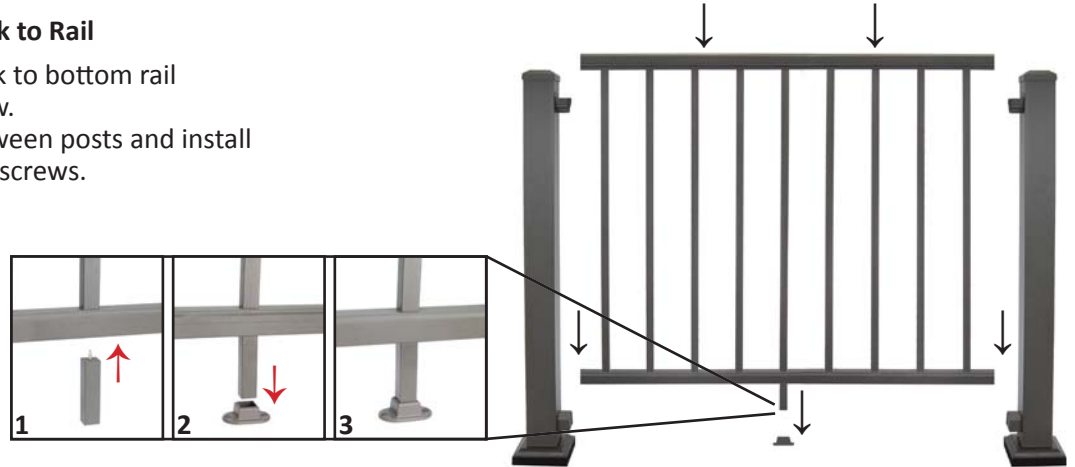
* DekPro™ boxes come with a cardboard rail comb to help align and speed up rail kit assemblies

DekPro™ Prestige Aluminum Rail System Level Railing Installation Instructions

Level Rail Installation (Continued)

Step 6a: Mounting Foot Block to Rail

- Center and install foot block to bottom rail with 1 ea. self-drilling screw.
- Center foot block shoe between posts and install to deck surface using 2 ea. screws.

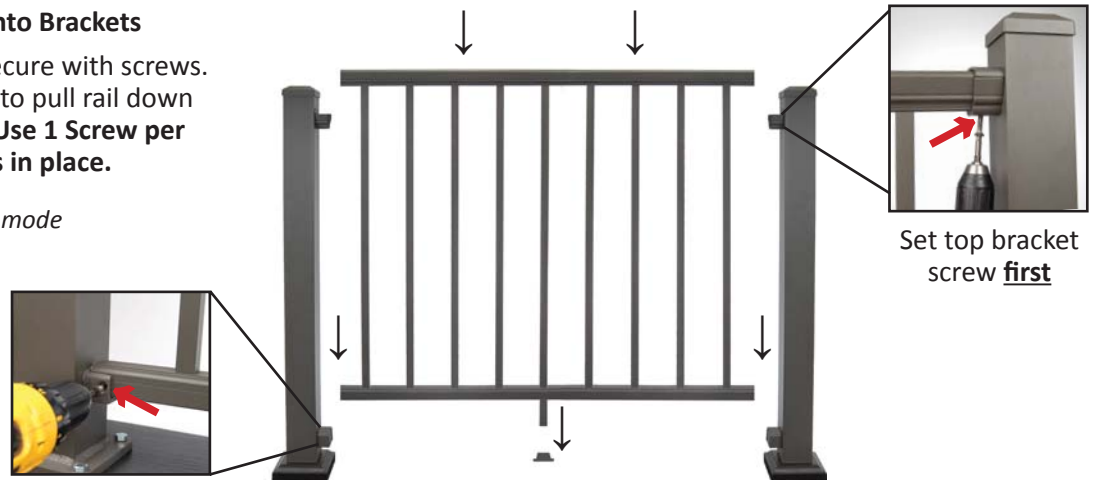


Step 6b: Set Assembled Rail into Brackets

Set railing into brackets and secure with screws. Install top bracket screws first to pull rail down tightly into bottom brackets. **Use 1 Screw per bottom bracket to secure rails in place.**

**Note: Set screw gun on "Screw" mode not "Drill" mode.*

IMPORTANT:
Bottom Bracket has 2 holes but only requires the use of 1 screw to secure rail.

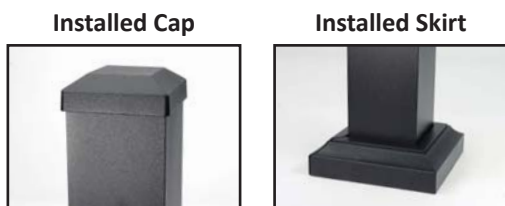


Step 7: Finish the Rail

Install rail bracket covers using a mallet/hammer and wood block to seat the bracket covers properly onto the bracket (Remove post cap if installed).

IMPORTANT! - Bracket cover must be tapped straight down. Bracket cover tabs may break if driven down at an angle.

Install post cap and 2 pc. skirt.



IMPORTANT!



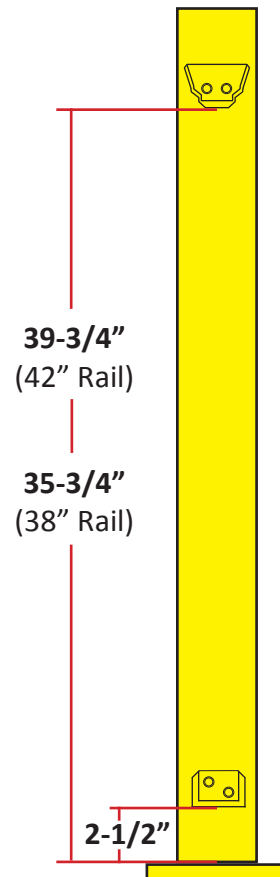
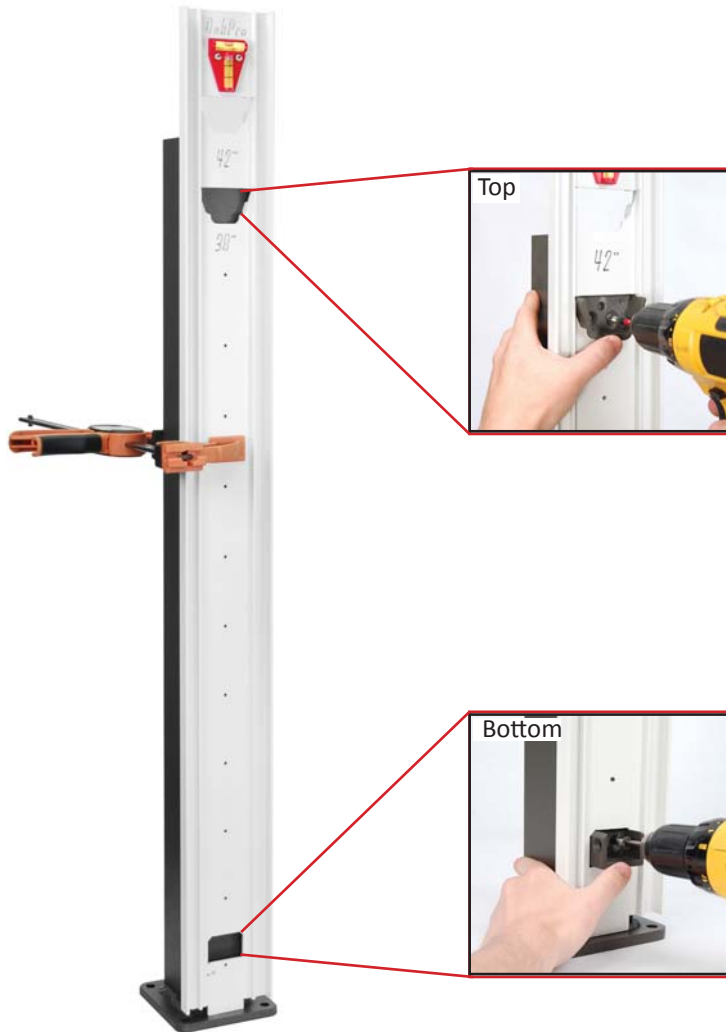
Quick Jig Overview

DekPro™ Prestige Quick Jig

The Quick Jig rail guide allows you to locate and fasten rail brackets to the post for level railing, eliminating the need to measure. Quick Jig can also be used to plumb posts using the attached 2-way level.



Quick Jigs are available for both 3" & 4" flanged posts and 4" post sleeves.



Place jig up against post to locate brackets. A clamp can be used to secure the jig to the post.



Place bracket into the opening of the Quick Jig. (Pre-drill holes if desired).



Secure bracket onto post with 2 ea. self-drilling screws. Remove jig from post.