



DUSTER

This document is non-contractual and only transmitted for information



Electronic Stability Program
ESP



Electronic Brake Distribution and Brake Assist **+ABS**



Trunk capacity
4x2: 433 L
4x4: 353 L



Piece of luggage*
S: 0 / M: 1 / L: 2



Dimensions
(length / width incl. door mirrors / height)
4.34 / 1.80 / 1.70 m



Reversing camera



Automatic air conditioning

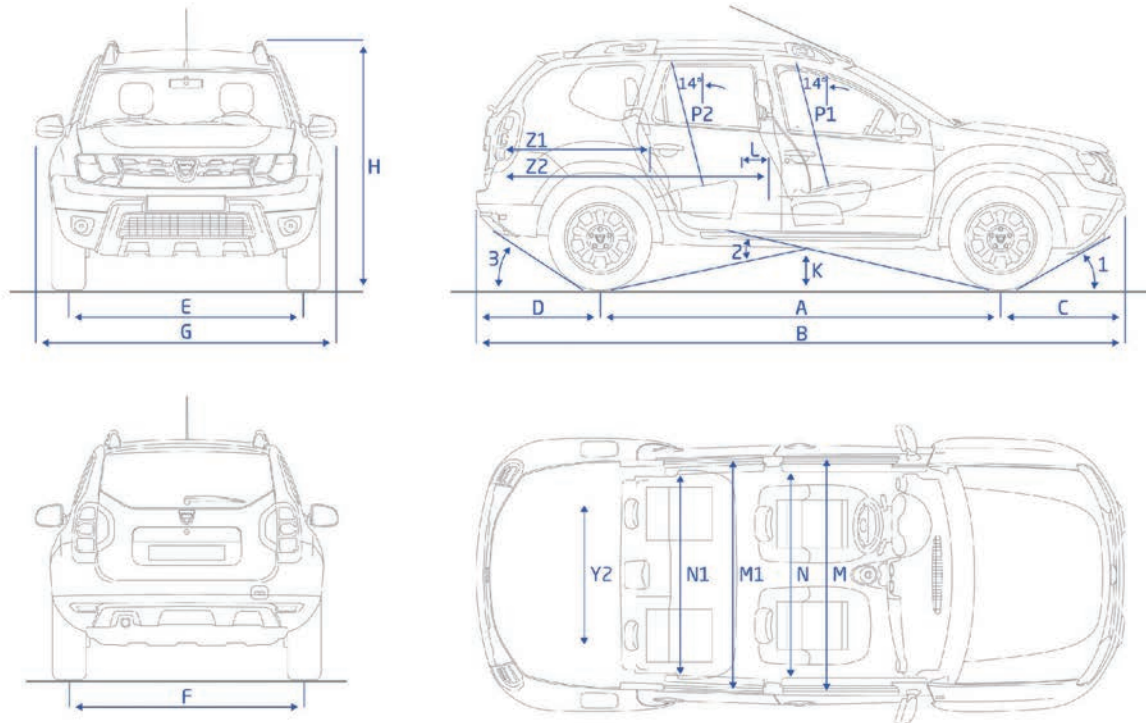
	4x2		4x4	
	Duster 4x2 Gasoline 125cv Manual GPS Western Europe	Duster 4x2 Diesel 110cv Manual GPS Western Europe	Duster 4x2 Diesel 110cv AUTO GPS Western Europe	Duster 4x4 Diesel 110cv Manual GPS Western Europe
Technical specifications				
Fuel type	Gasoline	Diesel		
Max power (bhp DIN)	125	110		
Gearbox	Manual		Auto	Manual
Average consumption (in liters per 100 km)	6.2	4.4	4.5	4.7
Fuel tank (liters)	NC			
Trunk capacity (litres)	433			353
Number of passengers	5			
Body type (number of doors)	5			
Safety				
Front driver and passenger airbags	✓	✓	✓	✓
Lateral airbags for driver and front passenger	✓	✓	✓	✓
Electronic Stability Program (ESP)	✓	✓	✓	✓
Hill Start Aid	✓	✓	✓	✓
ISOFIX anchorage system for baby seats at the 2 rear lateral places and passenger seat	✓	✓	✓	✓
Cruise control with speed limiter	✓	✓	✓	✓
Driving and driver aids				
Stop & Start	✓	✓	✓	✓
Rear parking proximity sensors	✓	✓	✓	✓
Trip computer	✓	✓	✓	✓
4x4 transmission with intuitive controls				✓
All-seasons tires: M&S	✓	✓	✓	✓
Spare wheel	✓	✓	✓	✓
Heating and ventilation				
Manual air conditioning	✓	✓	✓	✓
Visibilité - Eclairage				
Front fog Lamps	✓	✓	✓	✓
Electrically operated and heated door mirrors	✓	✓	✓	✓
Seating and storage				
Luggage cover	✓	✓	✓	✓
Height adjustable driver seat	✓	✓	✓	✓
1/3 2/3 Splitfold back seat	✓	✓	✓	✓
Connectivity				
GPS	Western Europe	Western Europe	Western Europe	Western Europe
«MEDIA NAV Evolution»: USB, Bluetooth + fingertip remote controls	✓	✓	✓	✓
Connectivity				
Longitudinal rails	✓	✓	✓	✓

* Luggage size: small (53,4 x 37,1 x 19,3 cm) - medium (61 x 47,3 x 27 cm) - large (76,2 x 50,8 x 30,5 cm)



DUSTER

This document is non-contractual and only transmitted for information



BOOT CAPACITY (dm ³ norme ISO 3 832)	4x2	4x4
Under luggage cover with repair kit / Spare wheel	475/475	443/408
Max rear bench folded with repair kit /Spare wheel	1636/1636	1604/1570

DIMENSIONED DRAWING (mm)		
A	Wheelbase	2674
B	Overall length	4315
C	Front overhang	816
D	Rear overhang	825
E	Front track	1559
F	Rear track	1560
G	Overall width with door mirrors	2000
H	Height with roof bars	1695
K	Clearance unladen	205/210
L	rear knee room	170
M	Front elbow width	1411
M1	Rear elbow width	1440
N	Front shoulder width	1387
N1	Rear shoulder width	1400
P1	Distance between hip joint and ceiling at front	905
P2	Distance between hip joint and ceiling at rear	894
Y2	Interior width between wheel arches	1002
Z1	Loading length with rear seat in place	992
Z2	Loading length with rear seat folder	1760

RAMP BREAKOVER ANGLE		
1	Approach angle	29.3°
2	Ramp breakover angle	23°
3	Departure angle	34.9°