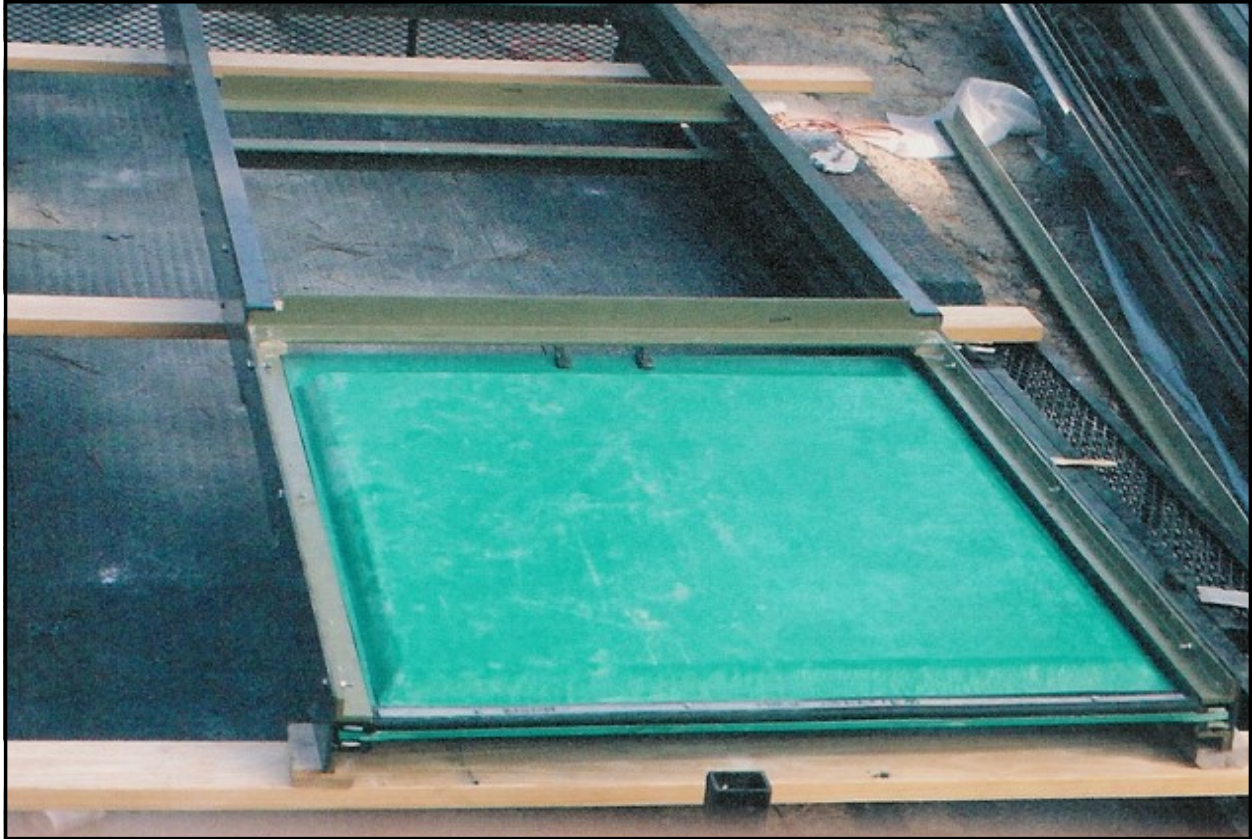


FIBERGLASS COMPOSITE STOP GATES



Yuba City, CA Stop Gates



Glass·Steel, Inc.
PO Box 7155
The Woodlands, TX 77387-7155
18468 FM 1314
Conroe, TX 77302
(281) 572-2211 office
(281) 572-2212 fax
www.glassteelinc.com

FIBERGLASS STOP GATES

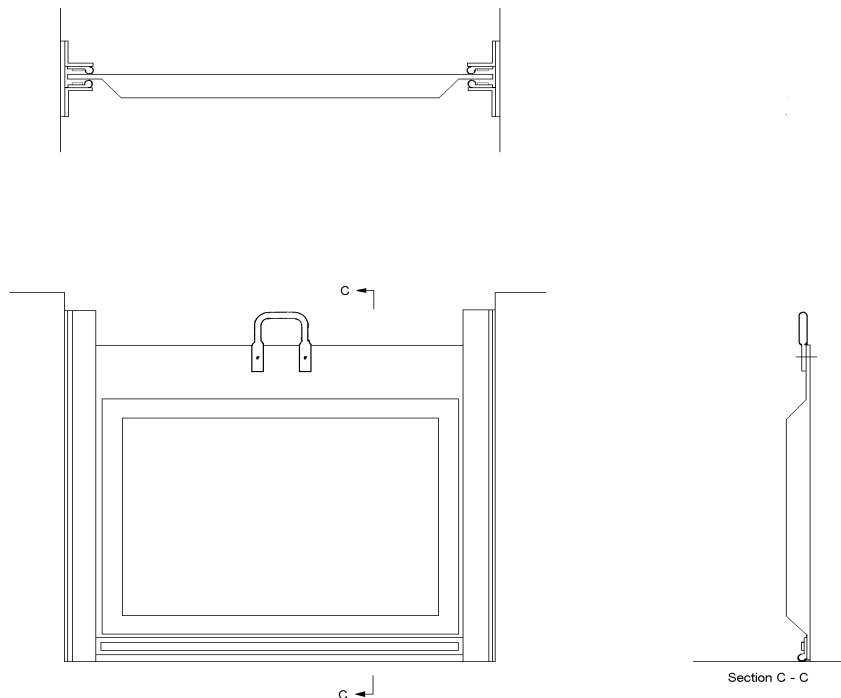
Glass-Steel, Inc. produces composite stop logs for temporary storage of water in flow channels in Water and Wastewater Treatment Plants. The sizes of the stop gates vary in height and depth to suit the application. Stop Gates can have an integral boss thickened area for strength or structural members similar to those shown on our stop plates. Stop gates have neoprene J Bulb seals on both sides of the guide frame as an integral part of the guide frame and a bottom J Bulb seal attached to the Stop Gate for sealing to the floor.

MATERIALS:

For most water and wastewater applications Glass-Steel, Inc. will use an Isophthalic polyester resin for both the main body of the stop gate and the core reinforcement. Stop Gates will have a perimeter thickness of 1/4" to 1" depending on loading and a reinforced center area (boss or structural members) to achieve the load and deflection criteria required for the particular application. Lifting handles are SST316. Guide frames are usually fiberglass pultruded structural members sized to the application with neoprene J-Bulb seals and SS retainer bars. Aluminum and SS Guides can also be furnished upon request.

BENEFITS:

Fiberglass Stop Gates are less expensive than aluminum or stainless stop gates and are more corrosion resistant. ■



Load Table for Stop Gates

Span Thickness	2'0"	3'0"	4'0"	5'0"	6'0"	7'0"	8'0"	9'0"	10'0"
1-1/2"	10.07	2.968	1.249	-----	-----	-----	-----	-----	-----
1-3/4"	15.99	4.713	2.072	-----	-----	-----	-----	-----	-----
2"	23.86	7.035	2.96	1.523	-----	-----	-----	-----	-----
2-1/4"	-----	10.02	4.215	2.168	-----	-----	-----	-----	-----
2-1/2"	-----	13.74	5.782	2.974	1.717	-----	-----	-----	-----
2-3/4"	-----	18.29	7.696	3.958	2.287	-----	-----	-----	-----
3"	-----	-----	9.991	5.139	2.97	1.866	-----	-----	-----
3-1/4"	-----	-----	12.7	6.533	3.776	2.373	1.492	-----	-----
3-1/2"	-----	-----	15.87	8.16	4.716	2.963	1.864	-----	-----
3-3/4"	-----	-----	19.51	10.04	5.8	3.646	2.292	1.431	-----
4"	-----	-----	-----	12.18	7.039	4.424	2.782	1.737	-----
4-1/4"	-----	-----	-----	14.61	8.443	5.306	3.115	1.944	-----
4-1/2"	-----	-----	-----	17.34	10.02	6.298	3.961	2.473	1.622
4-3/4"	-----	-----	-----	20.4	11.79	7.408	4.659	2.909	1.908
5"	-----	-----	-----	-----	13.75	8.64	5.434	3.392	2.226
5-1/4"	-----	-----	-----	-----	15.92	10	6.291	3.927	2.577
5-1/2"	-----	-----	-----	-----	18.3	11.5	7.233	4.516	2.963
5-3/4"	-----	-----	-----	-----	-----	13.14	8.264	5.159	3.385
6"	-----	-----	-----	-----	-----	14.93	9.39	5.862	3.846

Number reflected on chart is feet of head with deflection limited to L/360.



Fairfield, CA

