

INSIGNIA™ fire tv edition

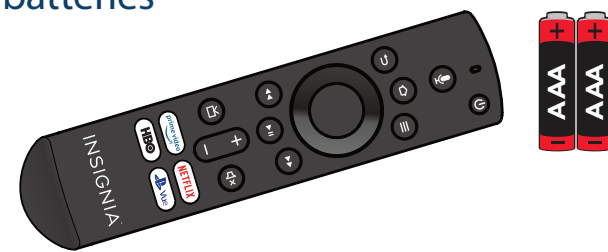
QUICK SETUP GUIDE

24"/32"/39" 60Hz LED TV

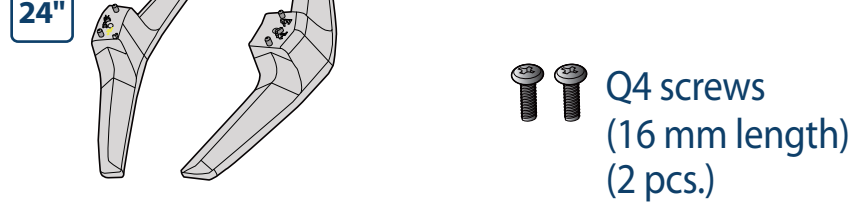
NS-24DF310NA19/ NS-32DF310NA19/
NS-39DF510NA19

INCLUDED ACCESSORIES

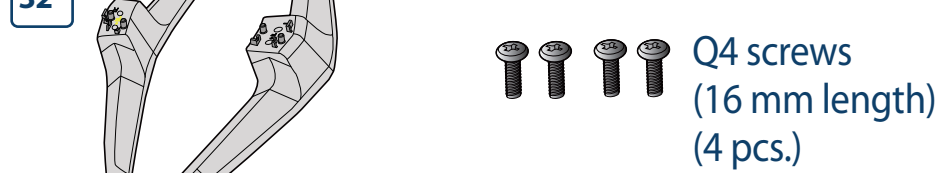
Voice Remote with Alexa
and two AAA batteries



24" TV stands



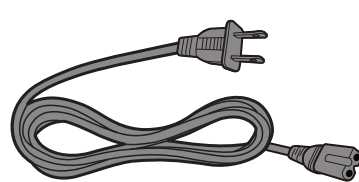
32" TV stands



39" TV stands



Power cord



FIND YOUR USER GUIDE ONLINE!

- 1 Go to www.insigniaproducts.com.
- 2 Use the search bar to find **NS-24DF310NA19**, **NS-32DF310NA19** or **NS-39DF510NA19**
- 3 Select **Support & Downloads**.
- 4 Next to **User Guide**, select the language you want.

STOP

Do not plug your power cord in until all other devices have been connected.

Before using your new product, please read these instructions to prevent any damage.

1 START HERE

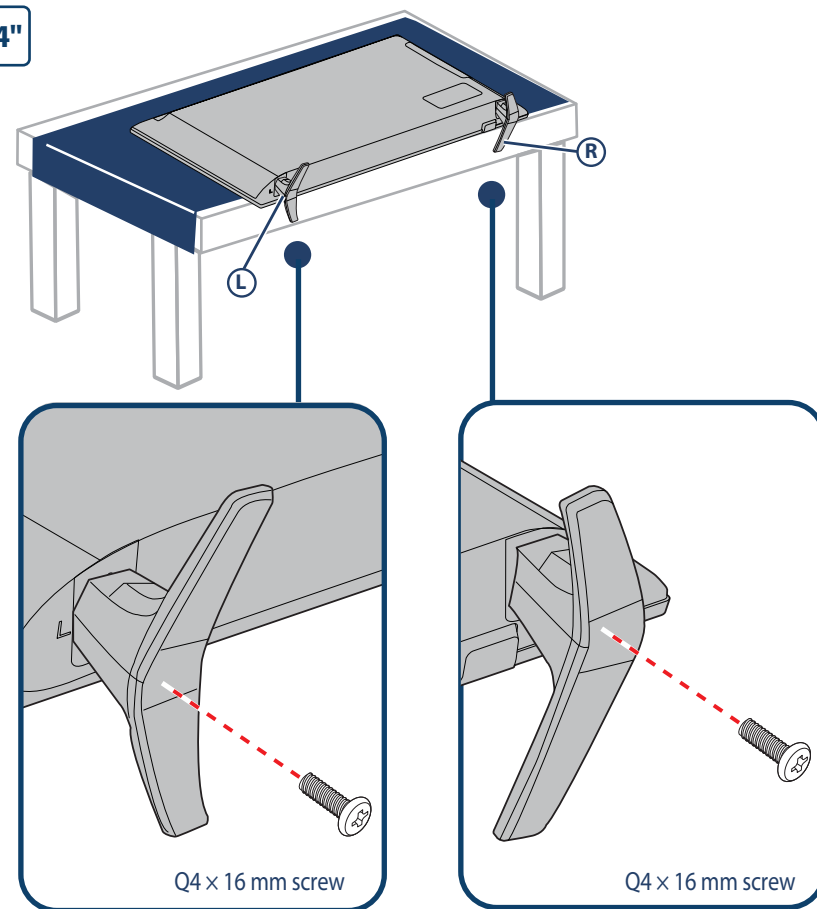
How do I attach the stands to my TV? (not for wall mounting)

You'll need: Soft surface and Phillips screwdriver

Place your TV face-down on a cushioned, clean surface.

Align the screw holes on the TV stands with the holes on the bottom of your TV, then secure each stand to your TV with the provided screws.

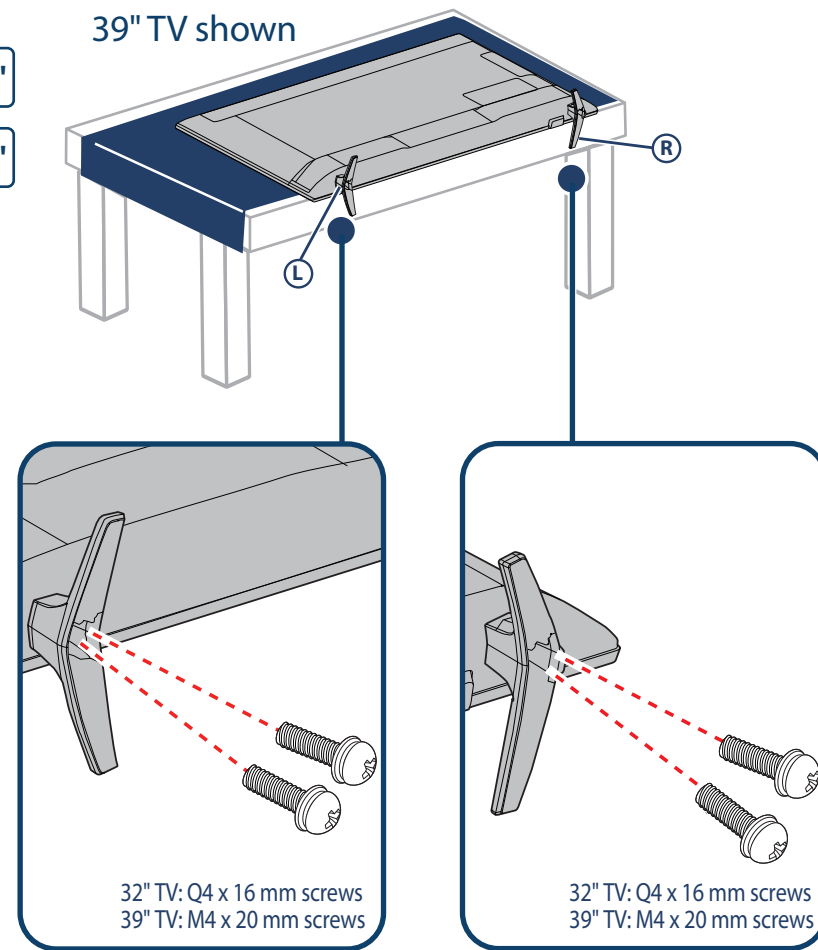
24"



32"

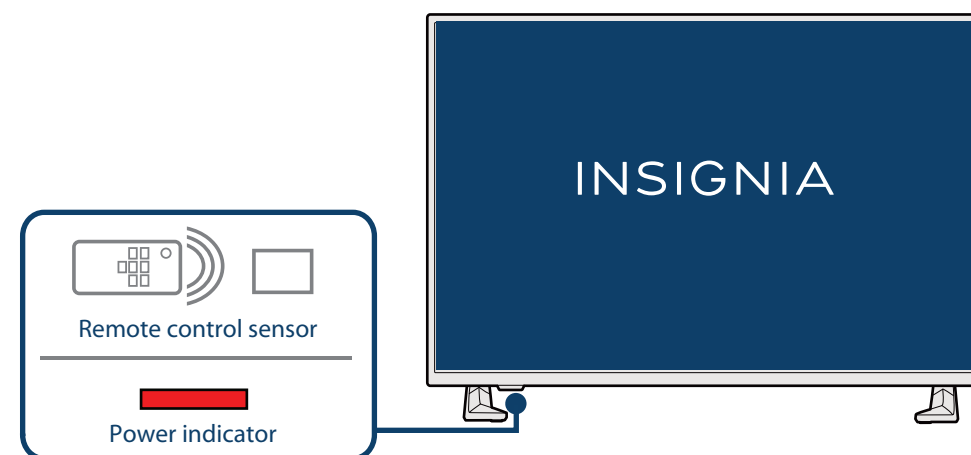
39"

39" TV shown

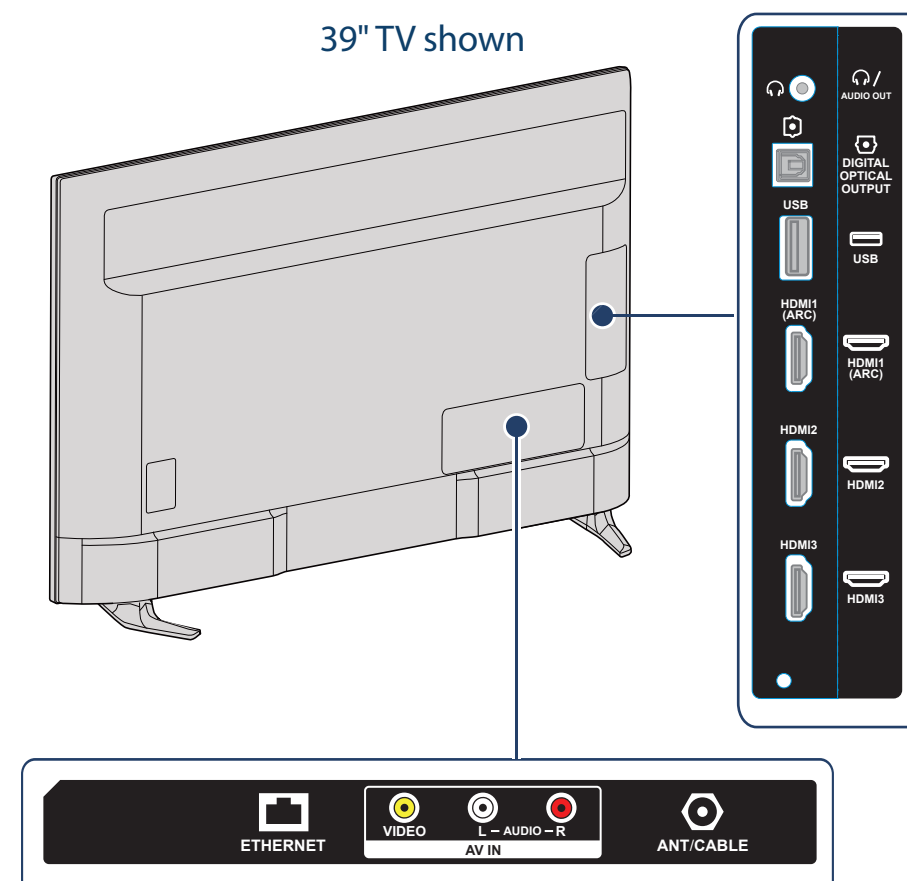


FEATURES

39" TV shown



39" TV shown



2 MAKING CONNECTIONS

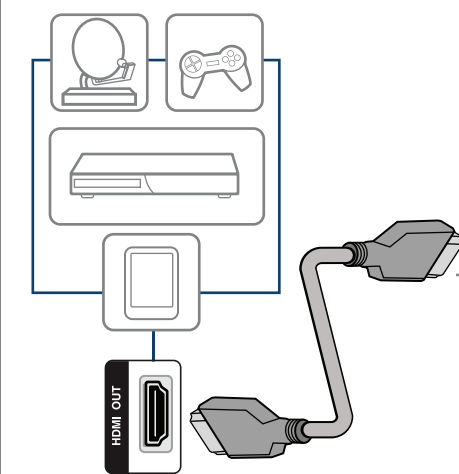
How do I watch TV (cable, satellite, or antenna) or connect a device, such as a DVD or Blu-ray player, game console, or tablet?

WHICH CABLES DO YOU HAVE?

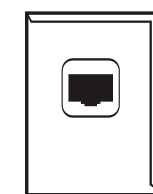
HDMI (BEST)

Best video quality

Multi-purpose jacks: You can plug any device that uses HDMI into any HDMI jack. However, certain devices must be connected to the **HDMI 1 (ARC)** jack. See the instructions that came with your ARC device for more information.

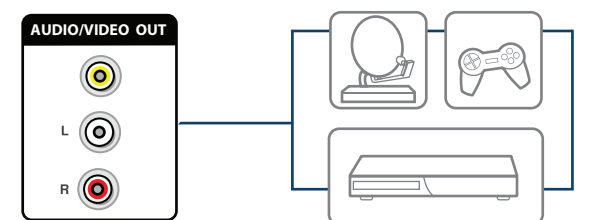


ETHERNET (OPTIONAL)



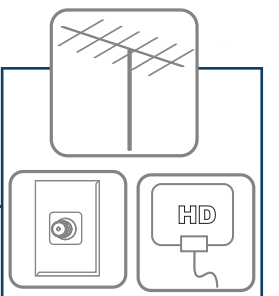
Note: You must connect to either LAN or Wi-Fi to access the Internet. See the back for additional info.

AV (GOOD)



Coaxial (GOOD)

Connect an Antenna to access live over-the-air TV



Note: Images do not necessarily represent the exact design of your television.



WALL MOUNT

How do I prepare my TV for wall mounting? (not for use with the TV stands)

You'll need: Soft surface and Phillips screwdriver

Before you mount your TV, make sure that:

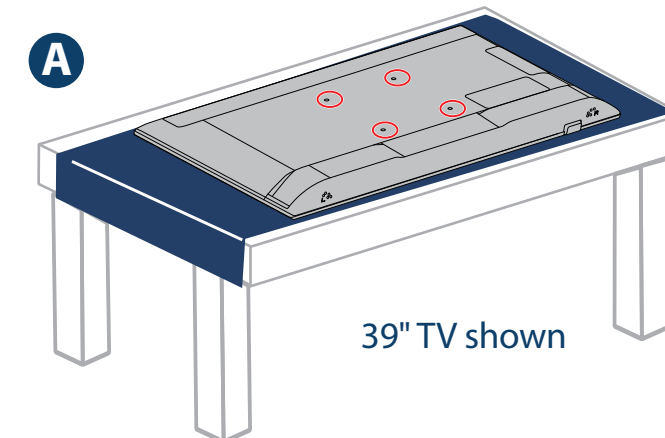
- You remove the stands.
- The wall-mount bracket supports the weight of your TV

A Carefully place your TV face-down on a cushioned, clean surface.

B See the instructions that came with your wall mount for more information about how to correctly mount your TV.

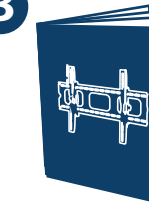
OR

A



39" TV shown

B



Your TV has four VESA mounting holes on the back. If you attach a wall-mount bracket to the back of your TV, **the bracket must be securely attached, using all four holes**. If you do not use all four mounting holes, your TV may fall and cause property damage or personal injury. See the documentation that came with your wall-mount for complete mounting instructions.

NS-24DF310NA19

VESA Mounting Pattern

VESA mount(mm): 100 x 200mm-M4, 16mm length*
*minimum 12mm / maximum 20mm

NS-32DF310NA19

VESA Mounting Pattern

VESA mount(mm): 100 x 100mm-M4, 16mm length*
*minimum 12mm / maximum 20mm

NS-39DF510NA19

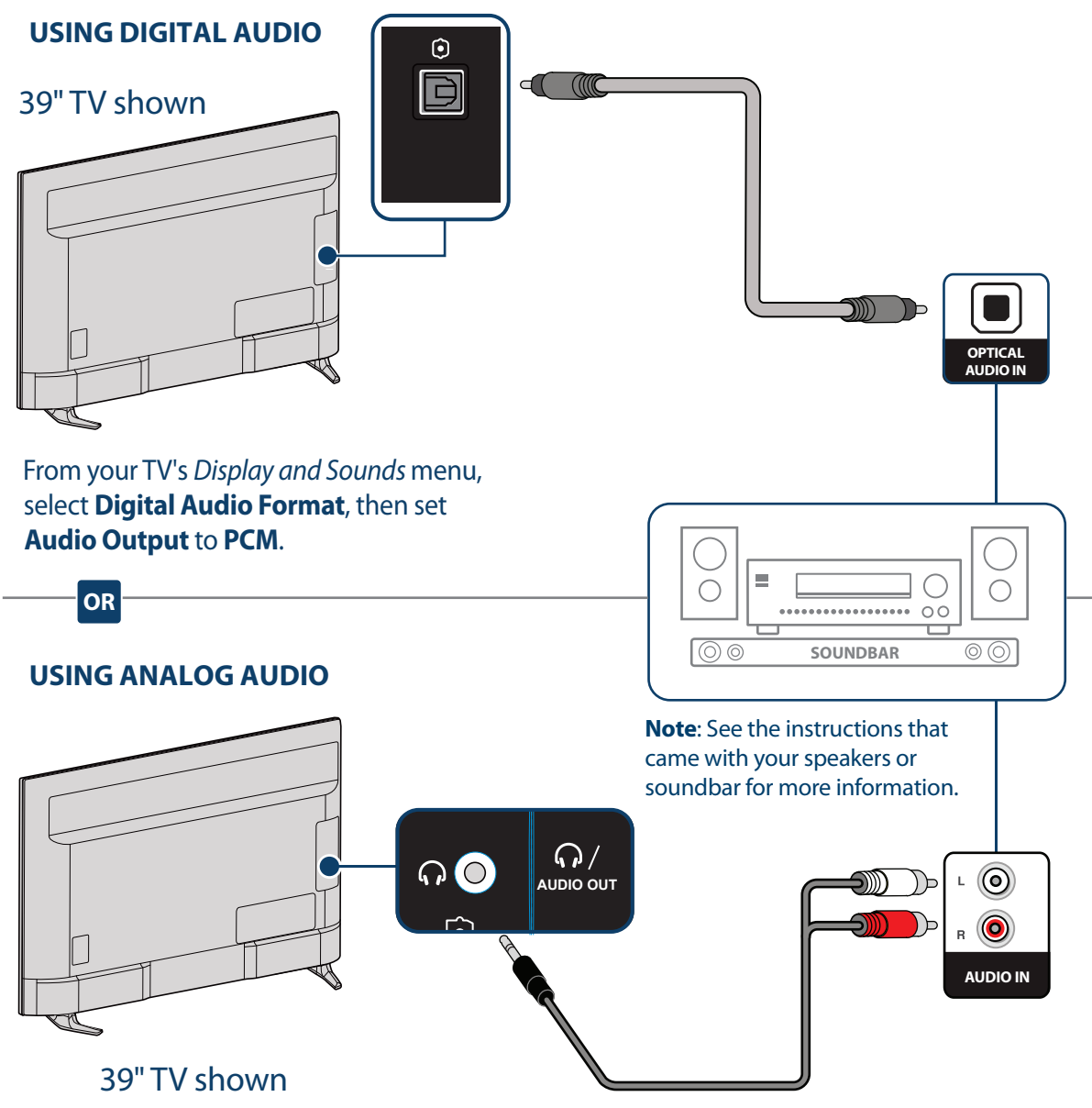
VESA Mounting Pattern

VESA mount(mm): 200 x 200mm-M4, 16mm length*
*minimum 12mm / maximum 20mm

Note: Wall mounting screws are not included in the package.

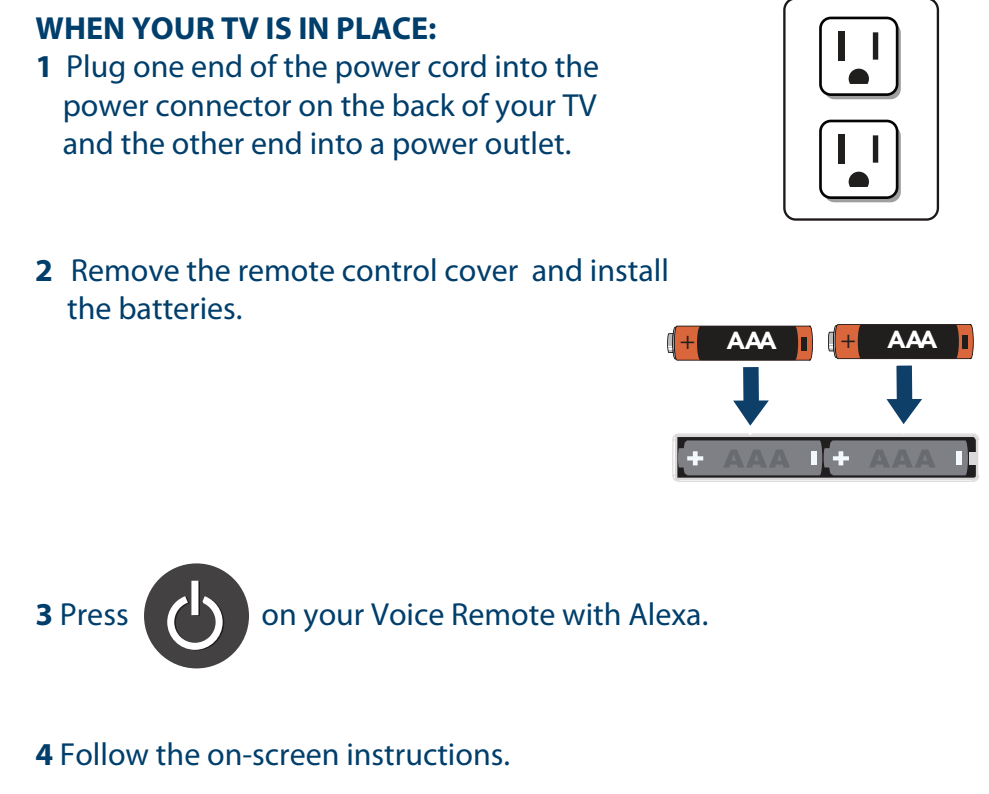
3 CONNECTING AUDIO DEVICES

How do I connect my TV to external speakers?



4 TURNING ON MY TV

When can I turn on my TV?



5 COMPLETE THE ON-SCREEN SETUP

Using your remote, follow the on-screen setup.

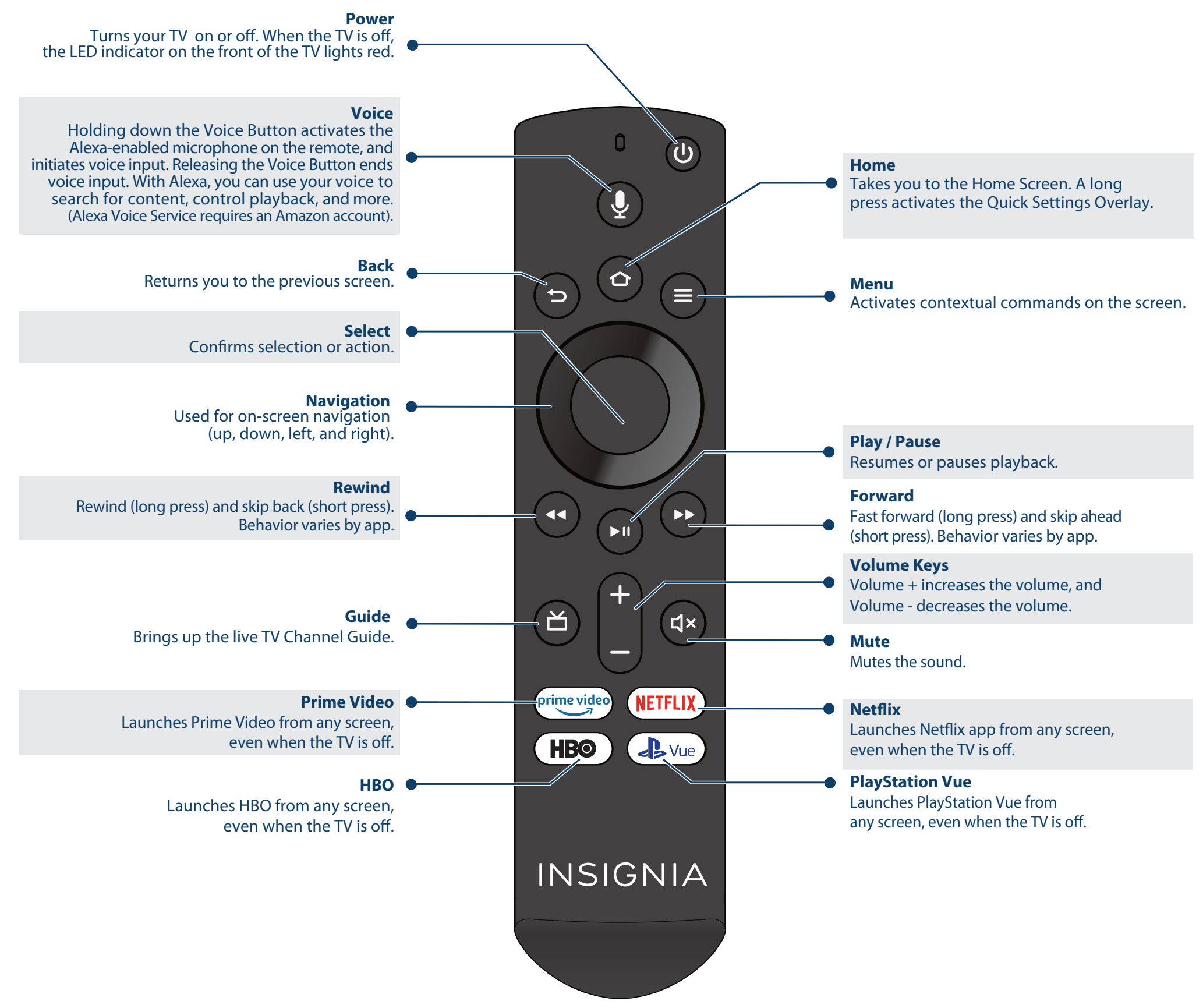
- 1 Your TV should automatically be paired to your new Voice Remote with Alexa. If there are issues, you are prompted to pair your remote by pressing down on your remote. If you continue to have issues, try re-inserting your batteries or replacing them and repeat this step again.
- 2 Select your Wi-Fi network from the networks displayed on the screen.
Note: If your Wi-Fi network is password protected, have your Wi-Fi network password handy to connect your TV to the Internet. If your network is hidden, select the **Join Other Network** tile from the list. If required, enter your network password using the on-screen keyboard.
- 3 Select your experience: **Full (Recommended)** or **Basic**.
 - **Full:** Get the most out of your experience with access to live TV, over 500,000 streaming movies and TV episodes, thousands of apps, and Alexa skills. To get started, sign in or sign up for a free Amazon account.
 - **Basic:** This experience is limited to live TV and only six streaming apps. Alexa and the full Appstore are not included.

6 OPTIONAL

(Watching live over-the-air TV)

- If you connected your TV to an antenna or cable wall jack, complete the following steps:
- 1 When setup is complete, run a channel scan by going to **Settings > Live TV > Channel Scan**.
 - 2 Follow the on-screen instructions to finish scanning for channels.
 - 3 To browse and watch live over-the-air TV, use the **On Now** row or press on your remote.

USING YOUR VOICE REMOTE WITH ALEXA



A SMARTER TV IS HERE
HD Picture Quality, Fire TV Experience Built-In, Voice Remote with Alexa

- Access Your Favorite Content – All Through One Home Screen**
Fire TV Edition seamlessly integrates live over-the-air TV and streaming channels on a unified home screen
- Endless Entertainment – Netflix, Prime Video, PlayStation Vue, HBO, and more**
Watch over 500,000 streaming movies and TV episodes with access to tens of thousands of channels, apps, and Alexa skills
- Control It All With Your Voice – Voice Remote with Alexa**
Use your voice to control live TV playback, launch apps, search for TV shows, play music, switch inputs, control smart home devices and more

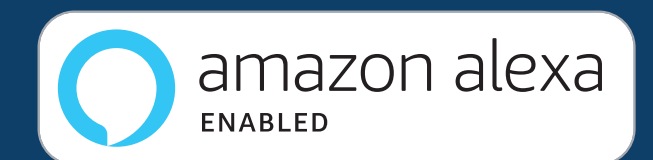
Full Experience required to access all features described.

ONE-YEAR LIMITED WARRANTY
Visit www.insigniaproducts.com for details.

NEED ADDITIONAL HELP?
Check out our **Support Community** at <http://community.insigniaproducts.com/> for helpful information from other Insignia TV owners.

WE'RE HERE FOR YOU
www.insigniaproducts.com
For customer service, call: **1-877-467-4289** (U.S./Canada)

CONTACT AMAZON FIRE TV CUSTOMER SERVICE
www.amazon.com/firetv/contactus



AMAZON TERMS & POLICIES
Before using Fire TV Edition, please read the terms located at www.amazon.com/deviceservices/support. Please also read all terms and policies for services related to Fire TV Edition, including but not limited to Amazon's Privacy Notice located at www.amazon.com/privacy, Amazon's Conditions of Use located at www.amazon.com/conditionsofuse, and any other terms or usage provisions available at www.amazon.com/deviceservices/support. All terms, rules, notices, policies, and provisions are, collectively, the "Agreements." By using Fire TV Edition, you agree to be bound by the terms of the Agreements.

Amazon, Fire, Alexa, Prime, and all related logos are trademarks of Amazon.com, Inc. or its affiliates.

Certain services are subject to change at any time, may not be available in all areas, and may require separate subscriptions.

U.S. and Canada:
INSIGNIA is a trademark of Best Buy and its affiliated companies.
Registered in some countries.
Distributed by Best Buy Purchasing, LLC
7601 Penn Ave South, Richfield, MN 55423 U.S.A.

©2018 Best Buy. All rights reserved.
Made in China