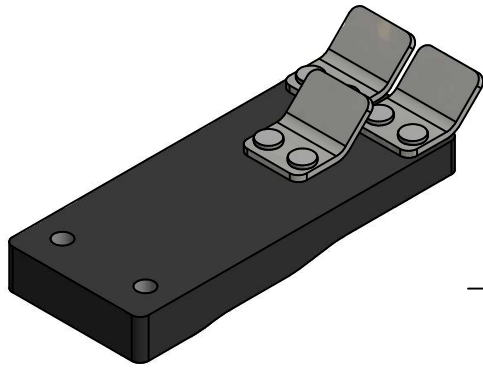
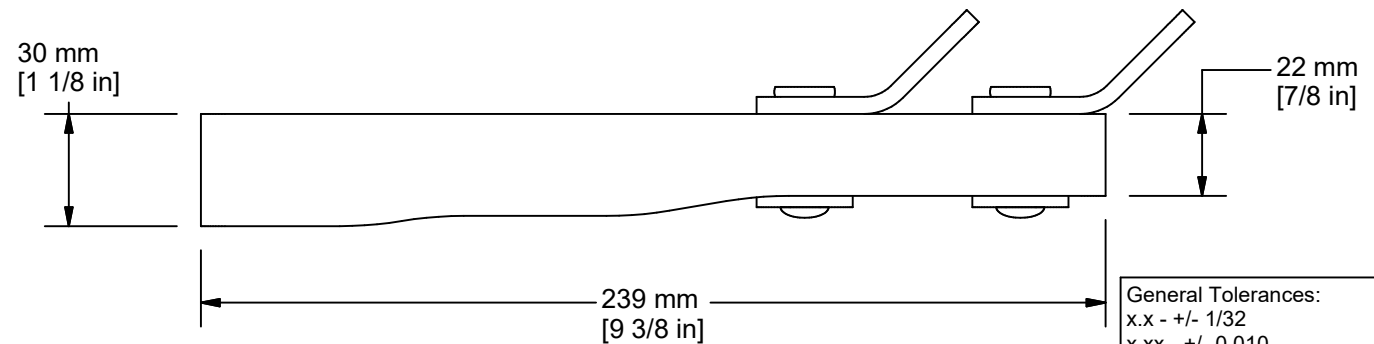
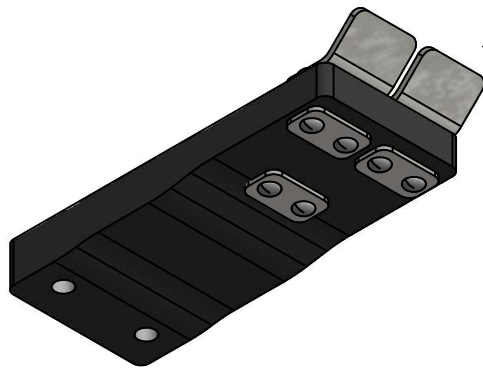
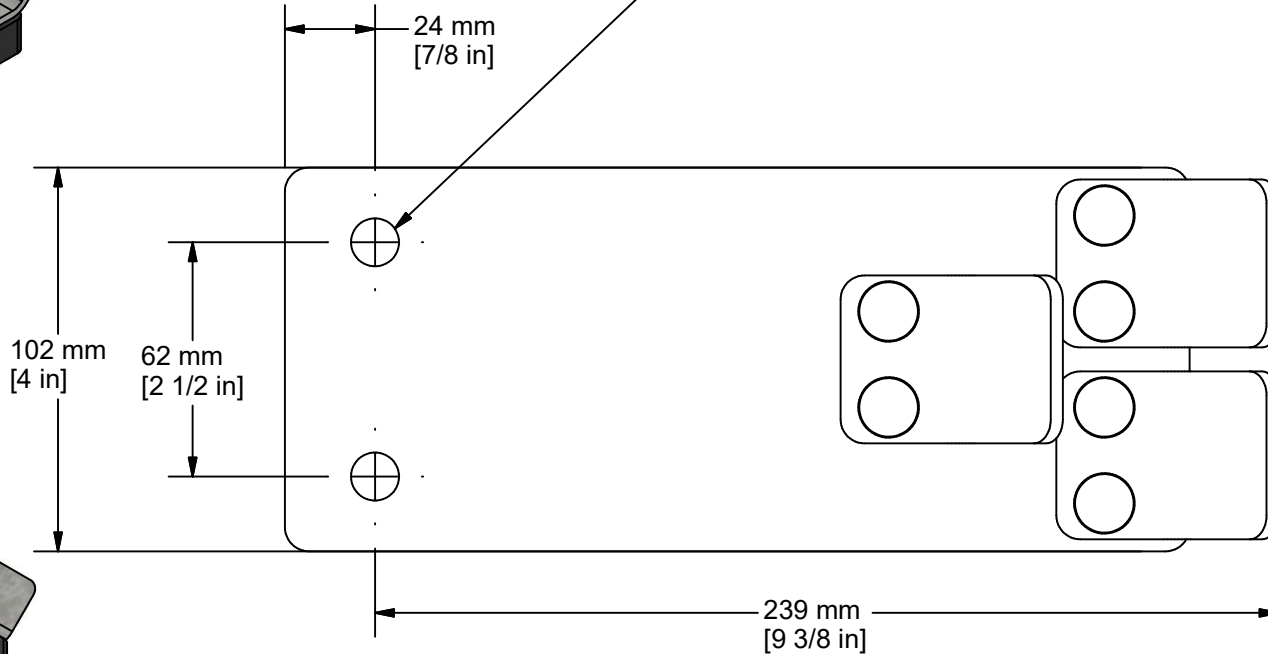


2


1



Holes for 1/2" and 5/8" Standard
other sizes available for special order



General Tolerances:
 x.x - +/- 1/32
 x.xx - +/- 0.010
 x.xxx - +/- 0.005
 x.xxxx - +/- 0.0005

	<p>LORNIC DESIGN INCORPORATED 12613 JAMES STREET, SUITE 10 HOLLAND, MICHIGAN 49424 PHONE: 616-594-0355 FAX 616-582-5908</p>	<p>RELEASE DATE: 11/7/2019</p>	<p>RELEASED BY: NRH</p>
	<p>THIS DRAWING INCLUDING ALL DESIGNS AND INFORMATION CONTAINED OR IMPLIED IS CONFIDENTIAL AND THE PROPERTY OF LORNIC DESIGN INCORPORATED. IT MAY NOT BE USED OR REPRODUCED IN ANY MANNER WITHOUT THE WRITTEN PERMISSION OF LORNIC DESIGN INCORPORATED AND IT MUST BE RETURNED UPON REQUEST (c) 2004</p>	<p>Lornic Design "395" 3-Cleat Paddle Generic Sales Dimensions</p>	
	<p>FILE: 395-3-Cleat Sales.idw SHEET: 1 of 1</p>	<p>395-S3262 Block Assy.iam</p>	<p>SIZE: A</p>

2

1